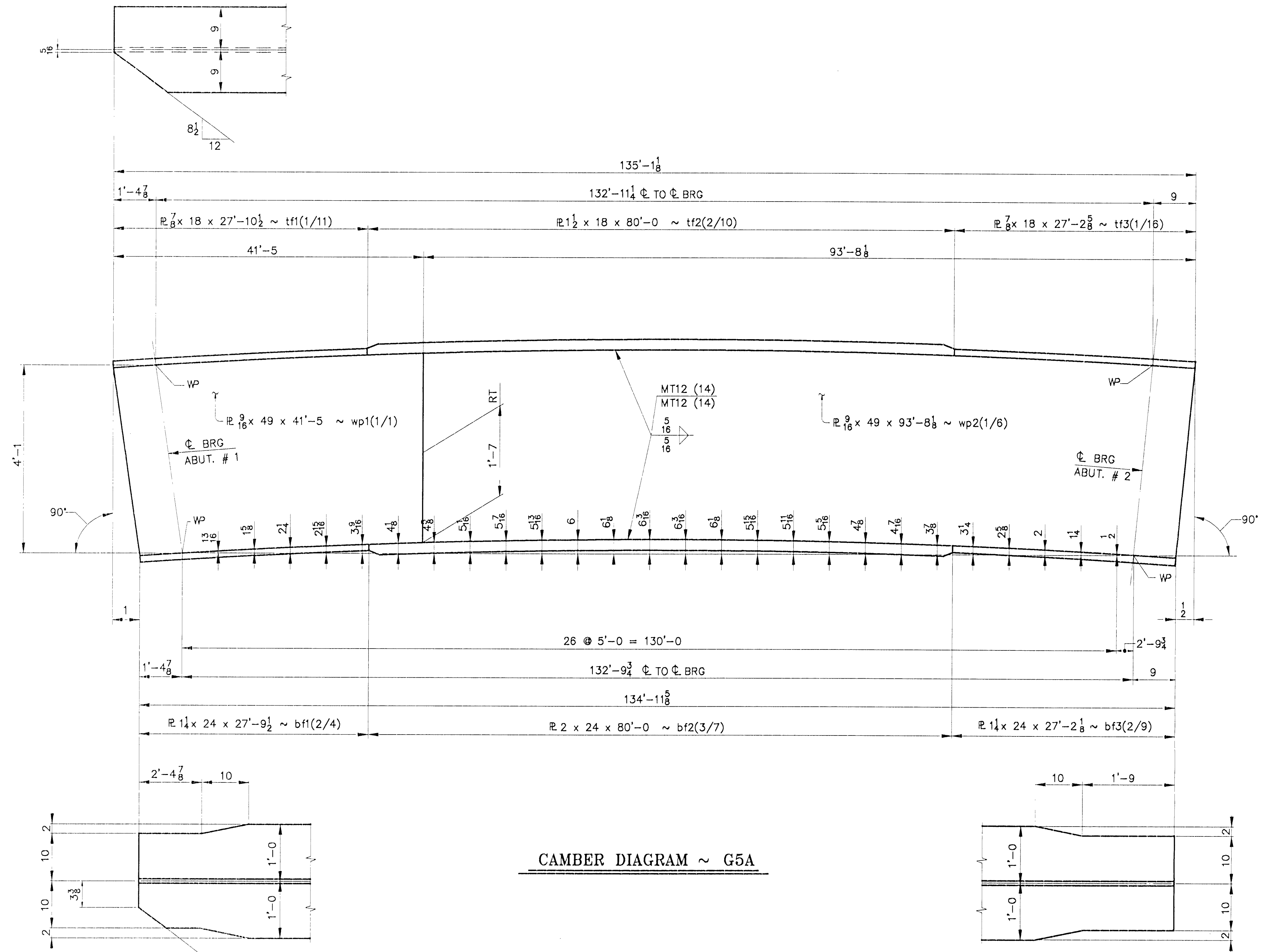
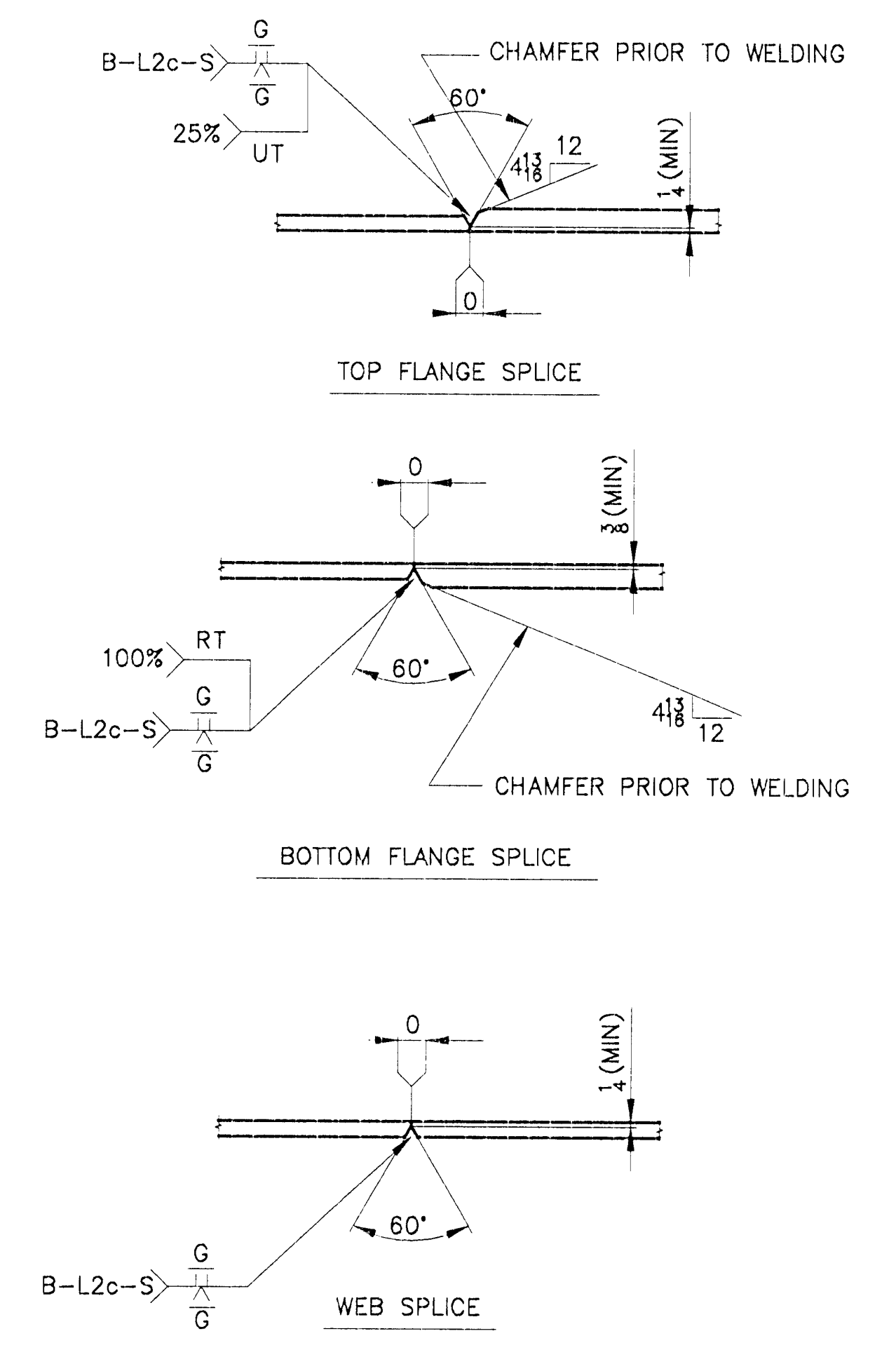


WORK ORDER NO.	DRAWING NO.	REV.
15717	10-6	



CAMBER DIAGRAM ~ G5A



NOTES
 1. ALL MATERIAL SHALL CONFORM TO A709 GR 50W T2.

ITEM NO.	506.55	BR. NO.	6	PROJ. NO.	BRS 0187(6)
TITLE:	CAMBER DIAGRAM ~ G5A				
APPROVED:	11/25/96	PRINT DIST.		 National Eastern Corporation Plainville, Connecticut.	
ORIG	7	10/96	APPR.		
	GR/6	6-2-96	FAB.		
			VIT		
JOB:	VT ROUTE 12A OVER 3RD BRANCH OF THE WHITE RIVER BRAINTREE, VERMONT				
CUSTOMER:	MILLER CONSTRUCTION, INC.				
DESIGNER:	VERMONT AGENCY OF TRANSPORTATION				
CHECKED	10/96	CSD		WORK ORDER NO.	15717
DRAWN	10/96	CSD		DRAWING NO.	10-6
				REV.	