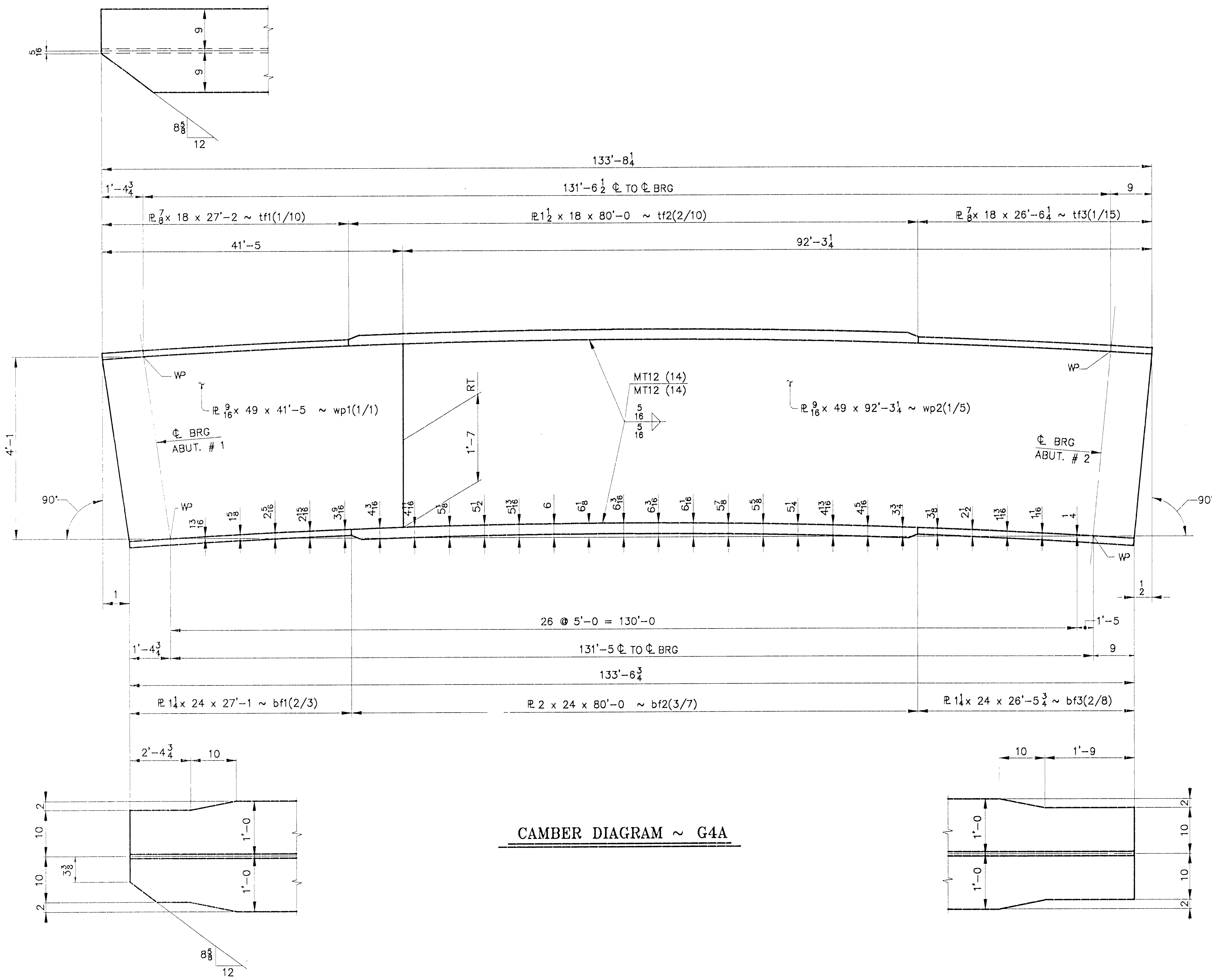
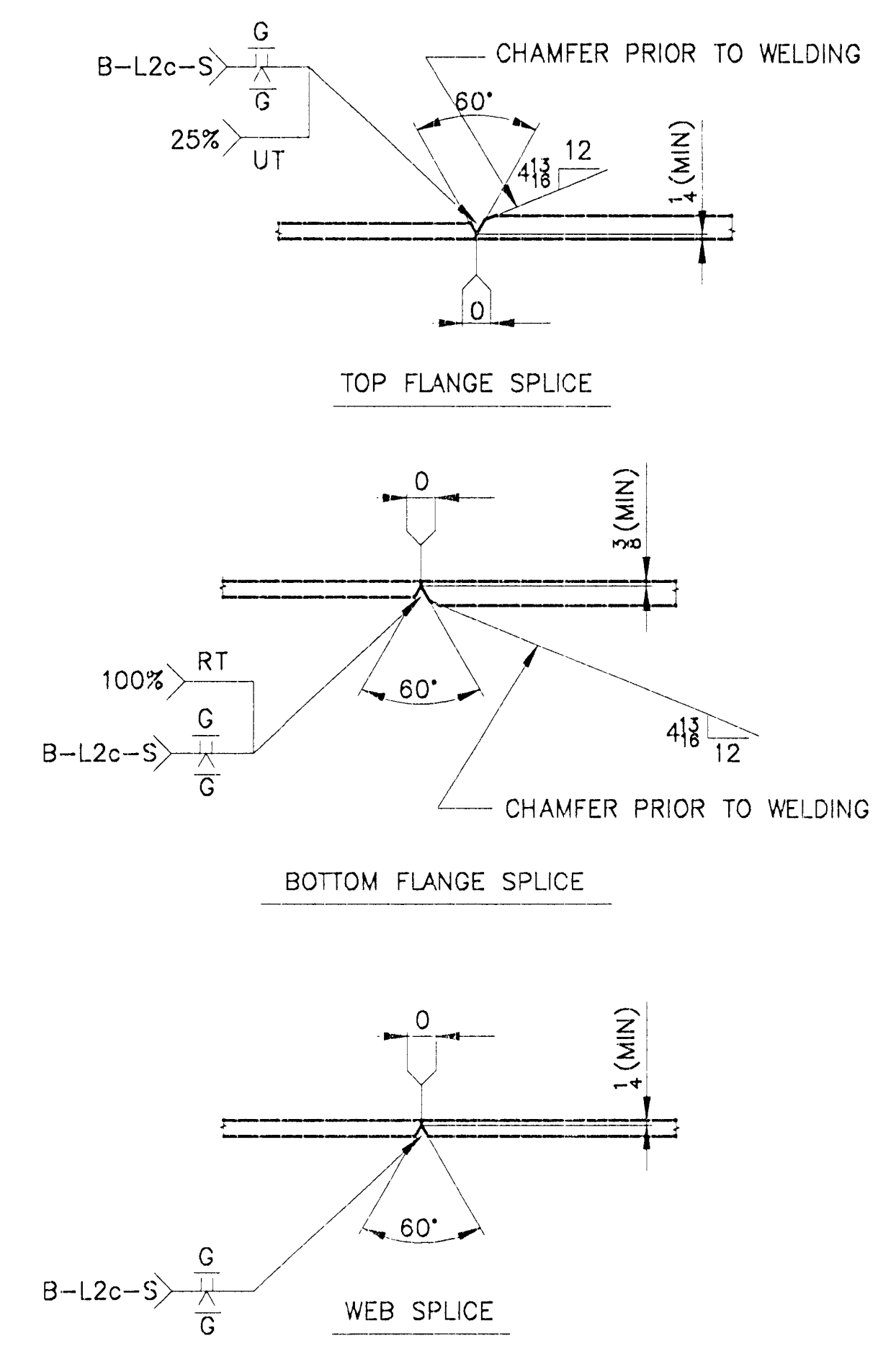


WORK ORDER NO.	DRAWING NO.	REV.
15717	10-5	



**CAMBER DIAGRAM ~ G4A**



**NOTES**  
 1. ALL MATERIAL SHALL CONFORM TO A709 GR 50W T2.

ITEM NO. 506.55	BR. NO. 6	PROJ. NO. BRS 0187(6)
TITLE: CAMBER DIAGRAM ~ G4A		
APPROVED: 11-25-96	PRINT DIST. 10/29/96	
ORIG 11-2-96	APPR. [Signature]	FAB. [Signature]
2816	6-2-97	UAT
JOB: VT ROUTE 12A OVER 3RD BRANCH OF THE WHITE RIVER BRAINTREE, VERMONT		
CUSTOMER: MILLER CONSTRUCTION, INC.		
DESIGNER: VERMONT AGENCY OF TRANSPORTATION		
CHECKED 10/96	DRAWN 10/96	15717
		10-5

