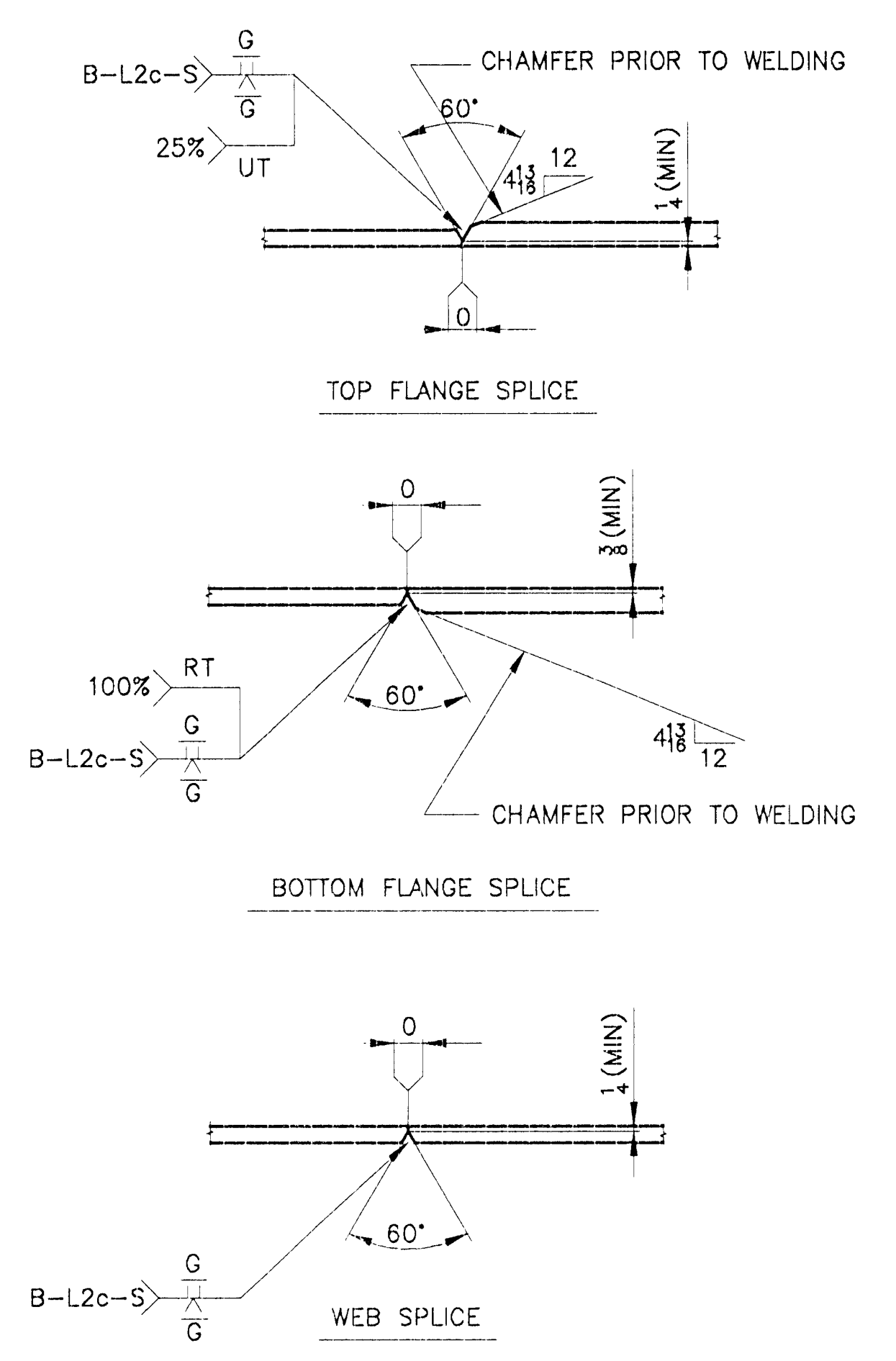


CAMBER DIAGRAM ~ G2A



NOTES
 1. ALL MATERIAL SHALL CONFORM TO A709 GR 50W T2.

ITEM NO.	506.55	BR. NO.	6	PROJ. NO.	BRS 0187(6)
TITLE:	CAMBER DIAGRAM ~ G2A				
APPROVED:	11-25-96	PRINT DIST.	7	APPR.	
ORIG	12/2/96	FAB.	2216	6-2-97	VHT
National Eastern Corporation Plainville, Connecticut					
JOB: VT ROUTE 12A OVER 3RD BRANCH OF THE WHITE RIVER BRAINTREE, VERMONT					
CUSTOMER: MILLER CONSTRUCTION, INC.					
DESIGNER: VERMONT AGENCY OF TRANSPORTATION					
CHECKED	10/96	CSD	15717	DRAWING NO.	10-3
DRAWN	10/96	CSD		REV.	