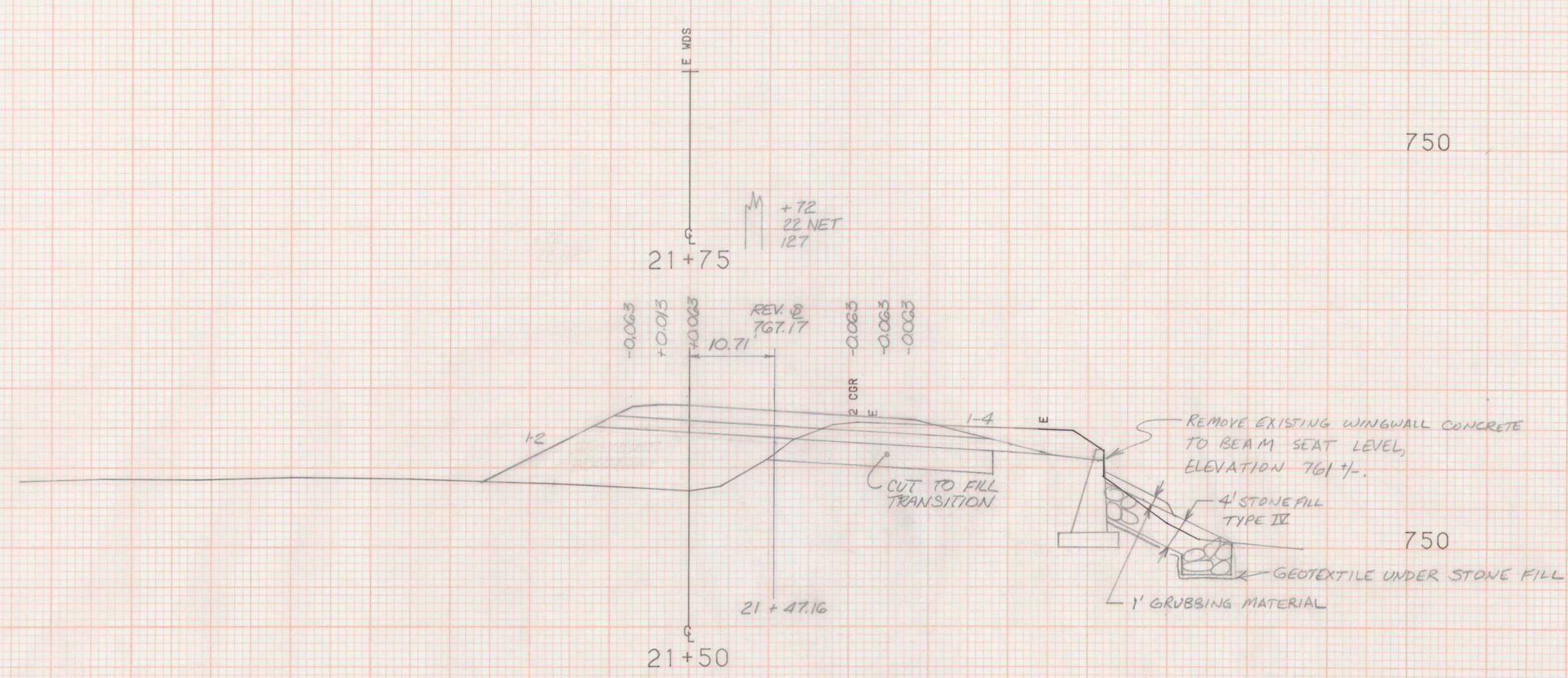


760  
 760  
 21+87



750  
 750  
 21+75  
 21+50

FROM STA.	21+50	TO STA.	22+00
PROJECT NAME	BRAintree		
NO.	BR0187 (S)		
SURVEYED BY	J. SHERIDAN	DATE	07/88
SHEET	67	OF	114

SCALE 10 FEET