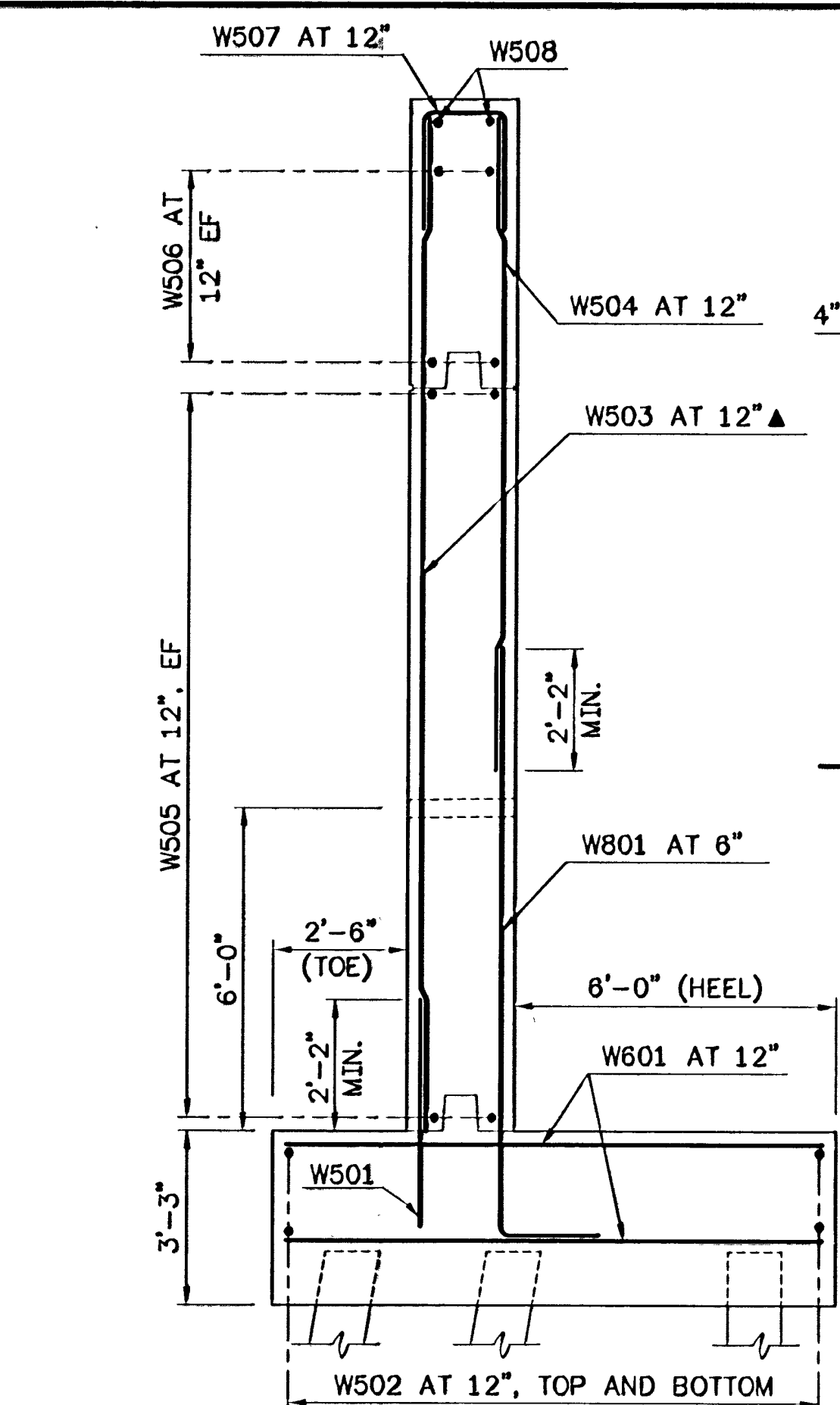
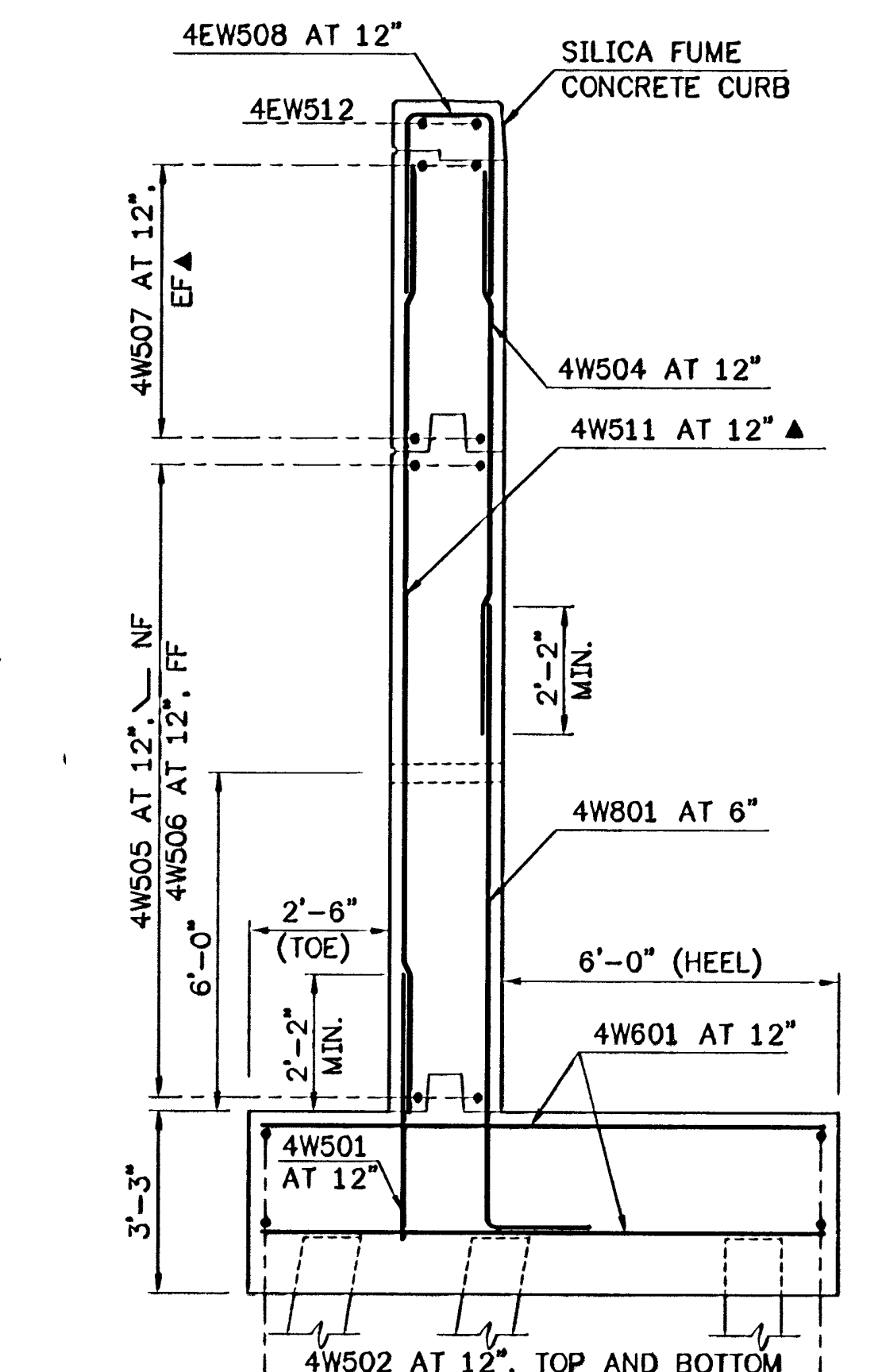


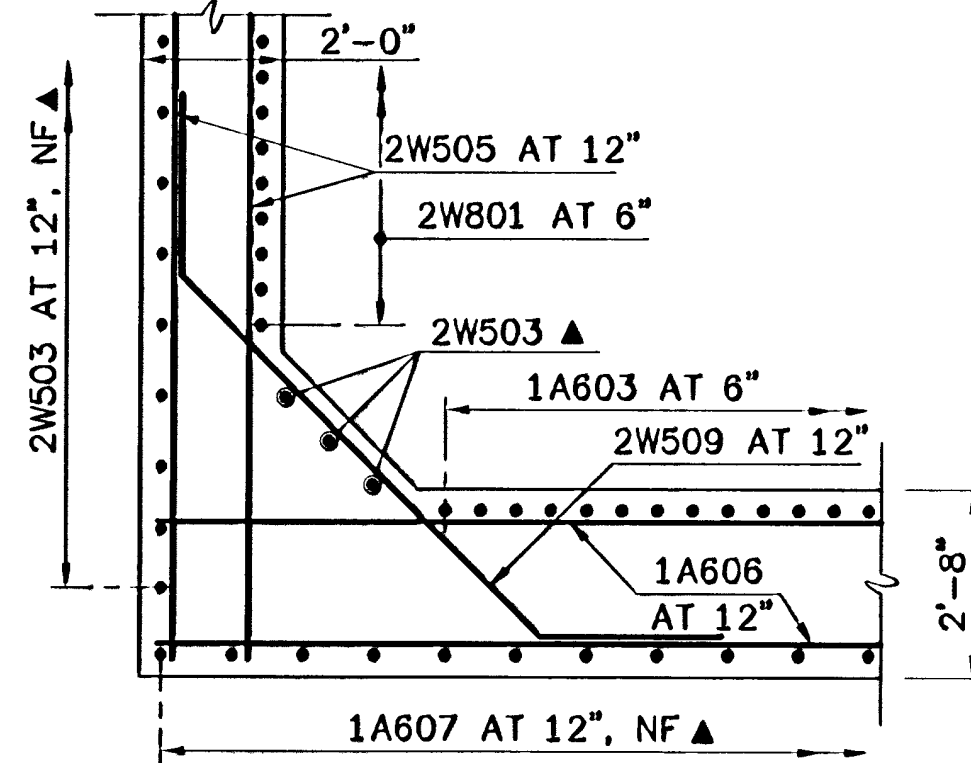
TYPICAL SECTION-WINGWALL NO. 1
SCALE: 3/8" = 1'-0"



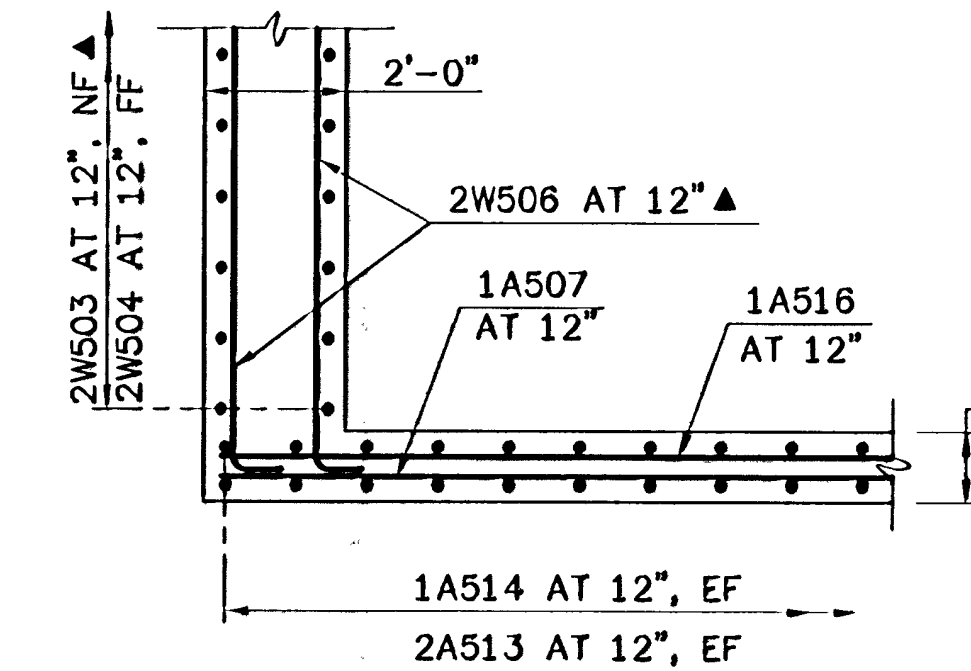
TYPICAL SECTION-WINGWALLS NO. 2 & 3
SCALE: 3/8" = 1'-0"



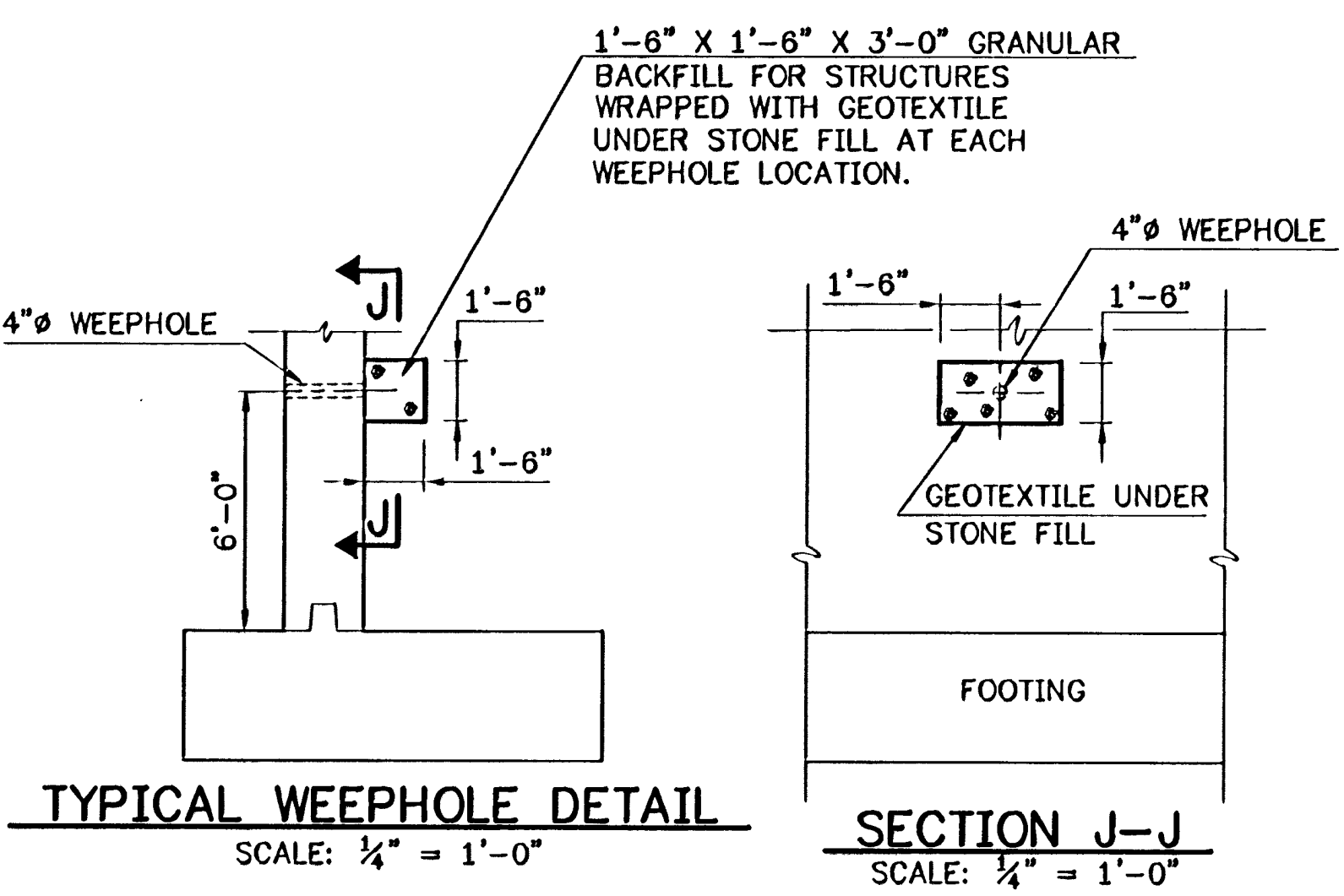
TYPICAL SECTION-WINGWALL NO. 4
SCALE: 3/8" = 1'-0"



SECTION C-C
(ABUTMENT NO. 1 SHOWN, ABUTMENT NO. 2 SIMILAR)
SCALE: 3/8" = 1'-0"



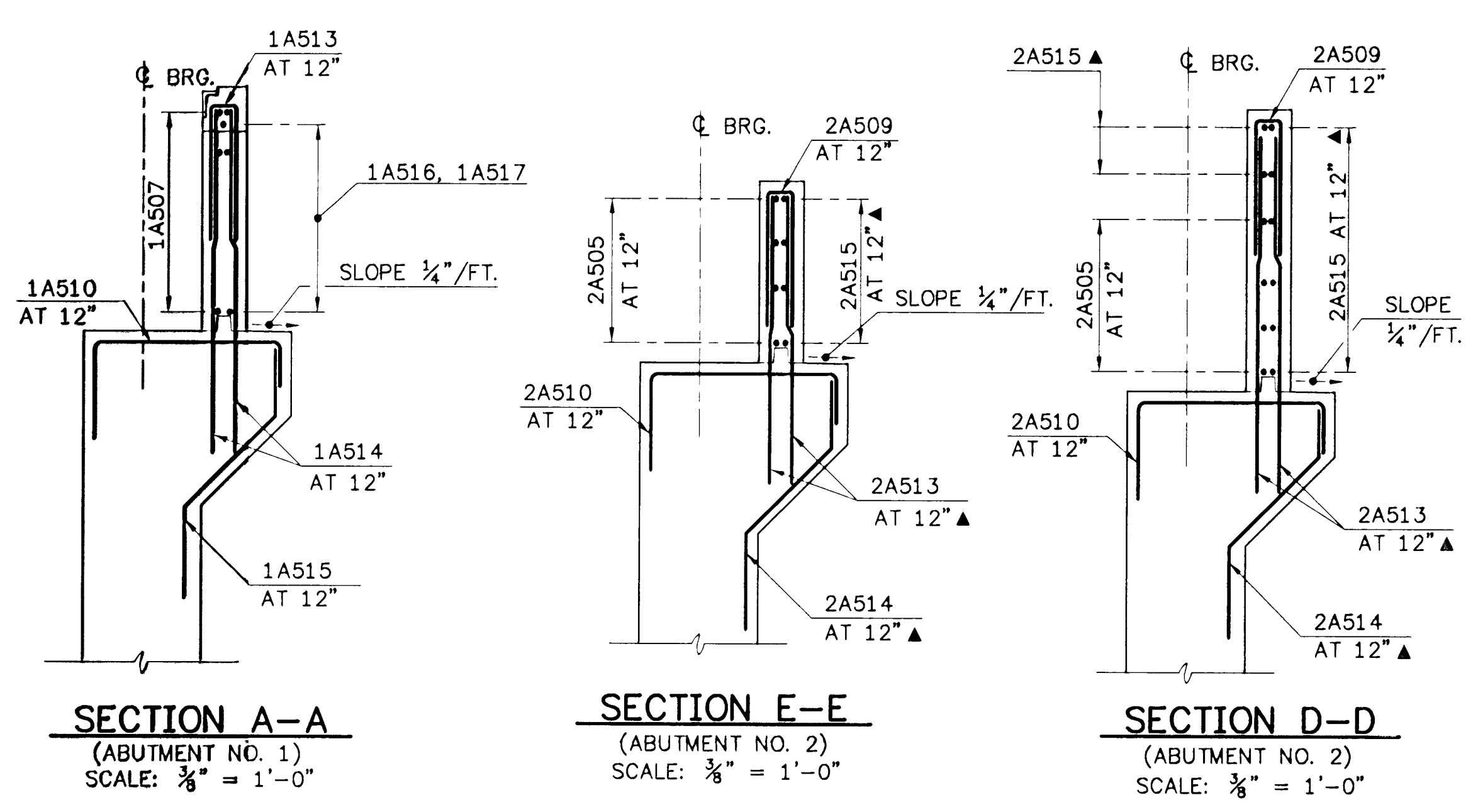
SECTION F-F
(ABUTMENT NO. 1 SHOWN, ABUTMENT NO. 2 SIMILAR)
SCALE: 3/8" = 1'-0"



TYPICAL WEEPHOLE DETAIL
SCALE: 1/4" = 1'-0"

SECTION J-J
SCALE: 1/4" = 1'-0"

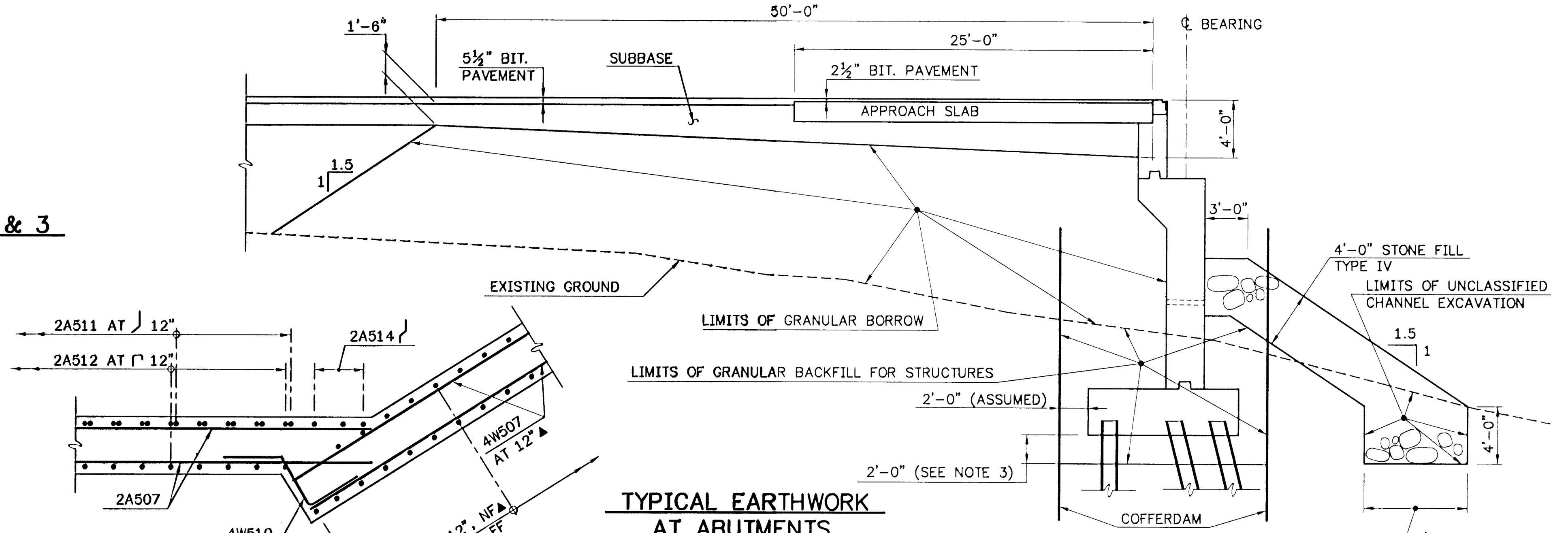
*NOTE: THIS WILL BE PAID FOR UNDER THE ITEMS "GRANULAR BACKFILL FOR STRUCTURES" AND "GEOTEXTILE UNDER STONE FILL".



SECTION A-A
(ABUTMENT NO. 1)
SCALE: 3/8" = 1'-0"

SECTION E-E
(ABUTMENT NO. 2)
SCALE: 3/8" = 1'-0"

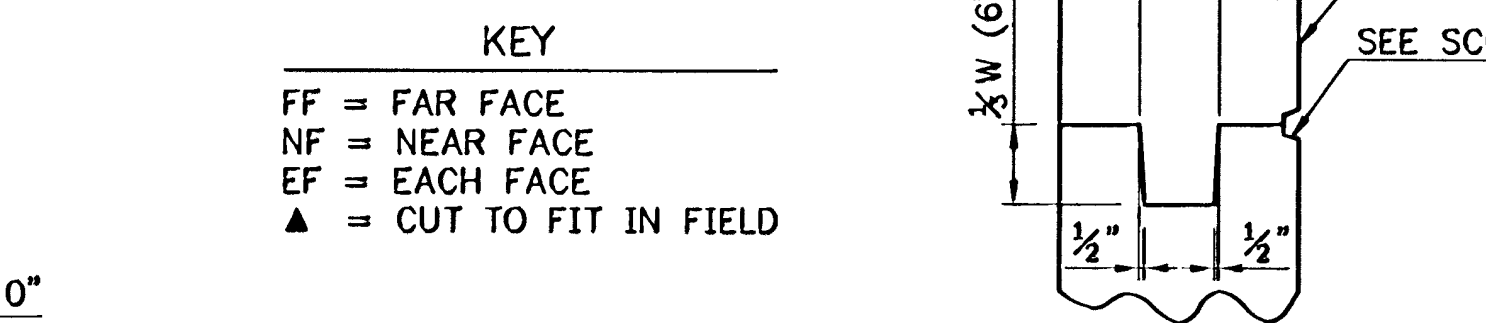
SECTION D-D
(ABUTMENT NO. 2)
SCALE: 3/8" = 1'-0"



TYPICAL EARTHWORK AT ABUTMENTS
SCALE: 3/16" = 1'-0"



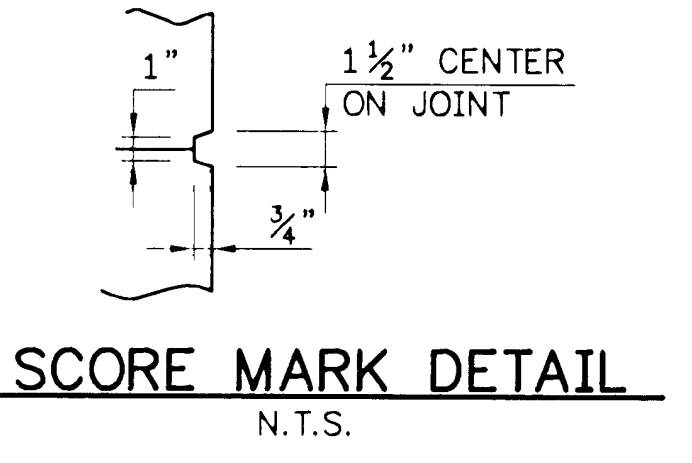
SECTION I-I
(ABUTMENT NO. 2)
SCALE: 3/8" = 1'-0"



TYPICAL CONCRETE CONSTRUCTION JOINT
N.T.S.

NOTE:
WHERE "CONSTRUCTION JOINT" IS DESIGNATED ON THE DRAWINGS, PROVIDE A CONSTRUCTION JOINT AND SCORE MARK. WHERE "SCORE MARK" IS DESIGNATED ON THE DRAWINGS, PROVIDE A SCORE MARK WITHOUT CONSTRUCTION JOINT, FOR RUSTICATION ONLY.

- COFFERDAM NOTES:**
1. COFFERDAM LIMITS TO BE DETERMINED BY THE CONTRACTOR.
 2. FOR PURPOSES OF ESTIMATING EARTHWORK QUANTITIES, THE LIMITS OF THE COFFERDAM HAVE BEEN ASSUMED TO BE 2'-0" OUTSIDE THE PERIMETER OF THE FOOTING.
 3. TWO FOOT OF UNDERCUT AS DETERMINED BY THE RESIDENT ENGINEER.
 4. IF A COFFERDAM IS CONSTRUCTED WHICH IS MORE THAN THE INDICATED MINIMUM DISTANCE OUTSIDE THE FOOTING LIMITS, PAYMENT FOR ALL UNCLASSIFIED CHANNEL EXCAVATION, INCLUDING THAT PORTION WHICH IS INSIDE THE COFFERDAM BUT OUTSIDE THE MINIMUM COFFERDAM LIMITS SHOWN, WILL BE MADE AT THE CONTRACT UNIT PRICE FOR UNCLASSIFIED CHANNEL EXCAVATION.



SCORE MARK DETAIL
N.T.S.

STATE OF VERMONT		AGENCY OF TRANSPORTATION	
Town Of	BRAINTREE	Bridge No.	6
Highway No.	VT RTE 12A	Log Sta.	
		Surv. Sta.	
VT RTE 12A OVER 3RD BRANCH OF THE WHITE RIVER			
SUBSTRUCTURE DETAILS			
Designed By	E.M.Stumph	Drawn By	A.Setas
Checked By	Date	CLD Project Manager	
E.M.Stumph	1/95	C.R.Bean	Date 1/95
PROJECT	BRAINTREE	PROJECT NO.	BR5 0187(6)
I.G.C. Info.			
Bridge Sheet No.	BR 119	Sheet	43 Of 79



502825SD.dwg (1=1)