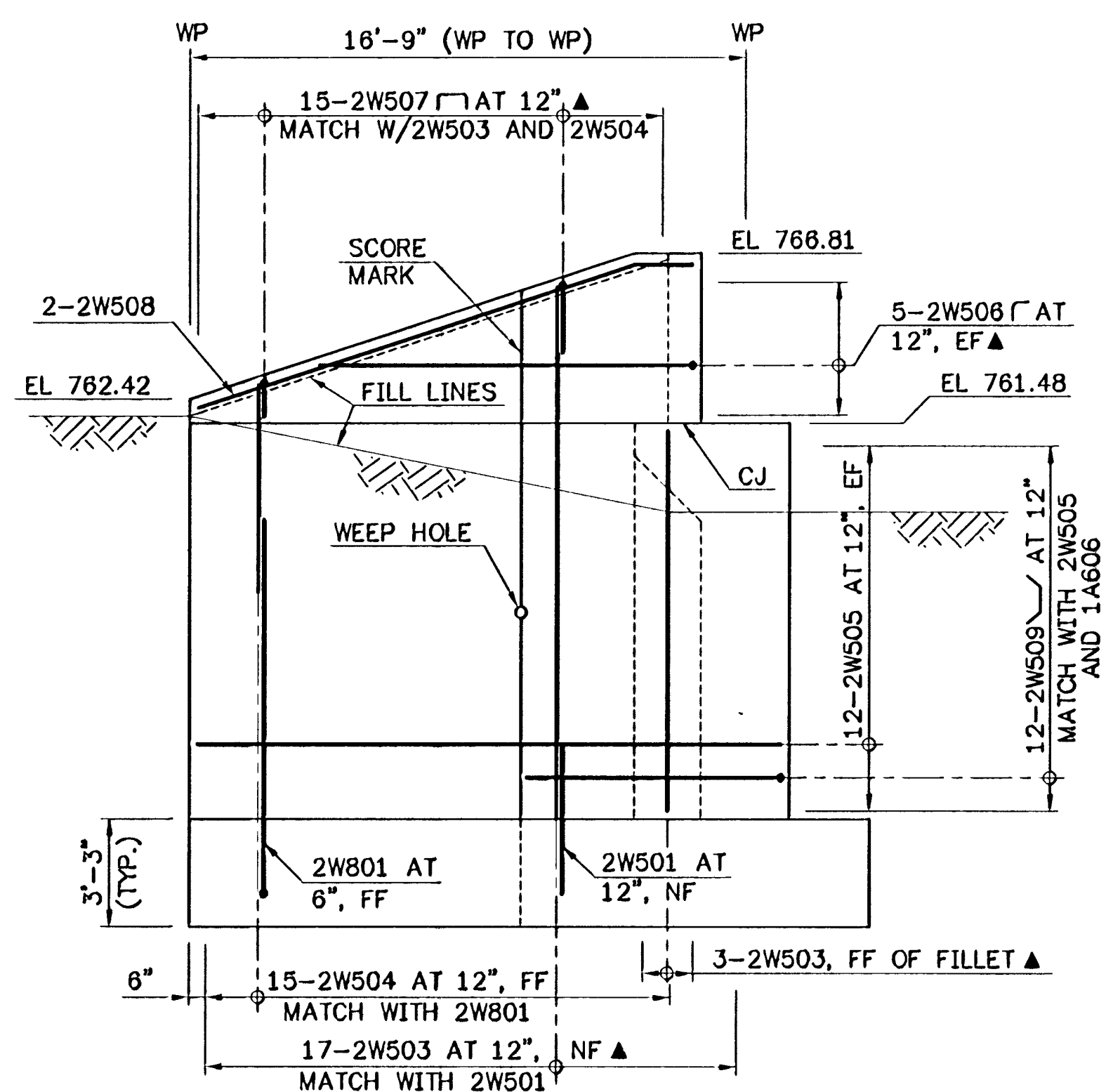
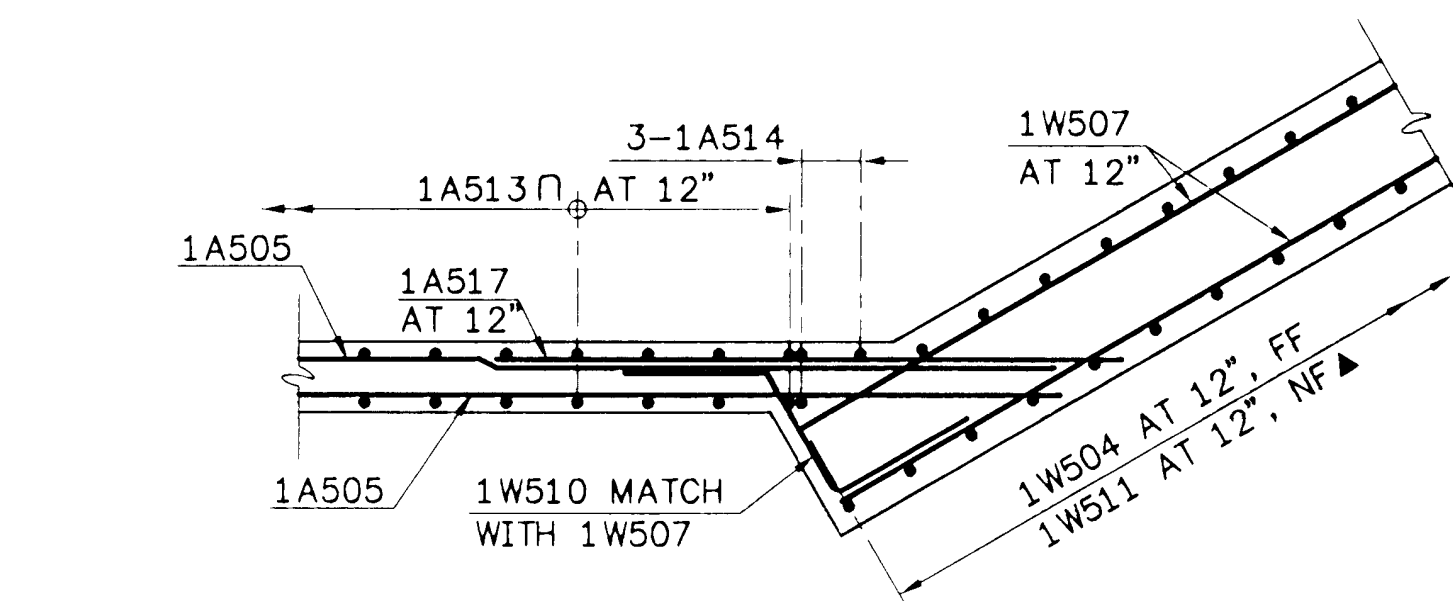


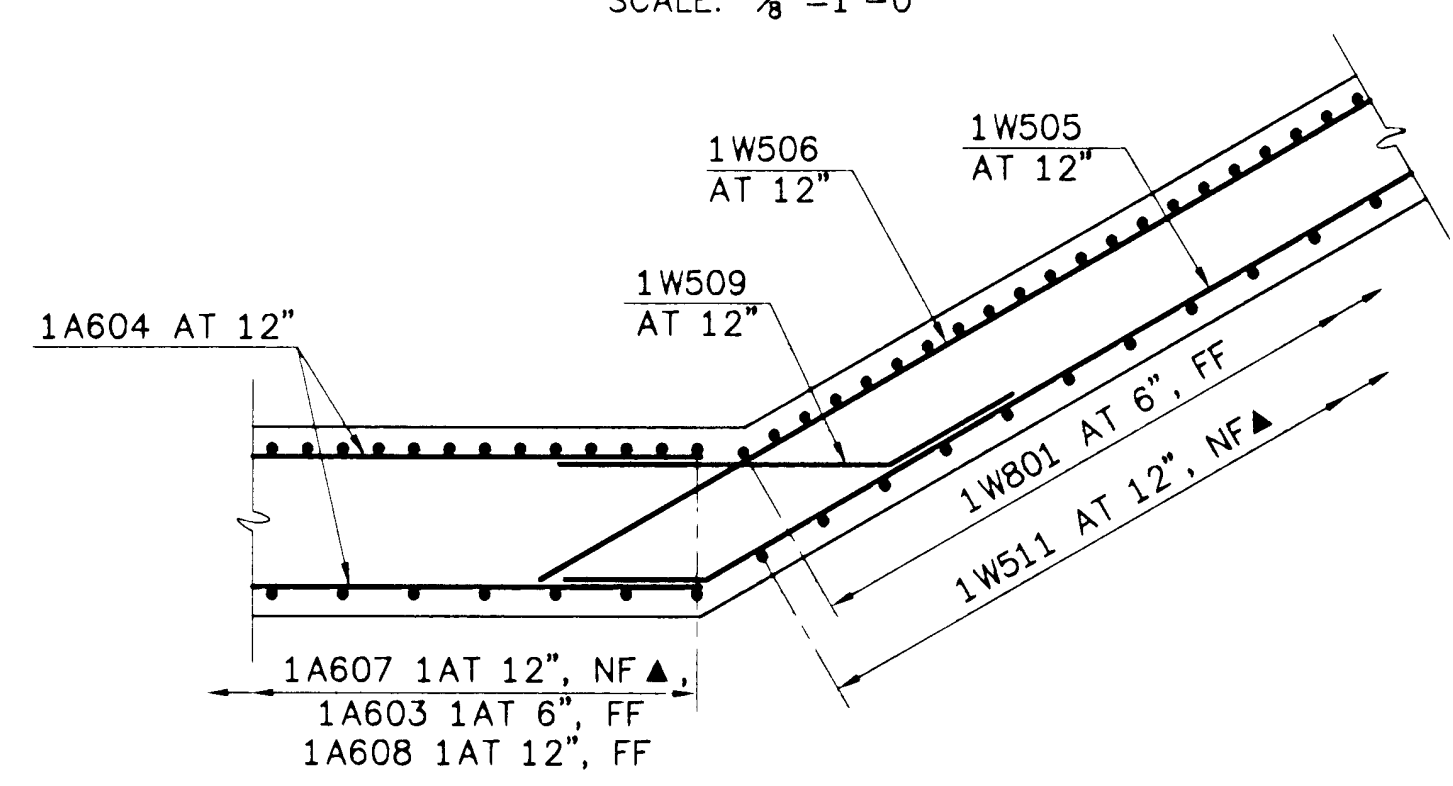
**WINGWALL NO. 1 ELEVATION**  
SCALE: 1/4"=1'-0"



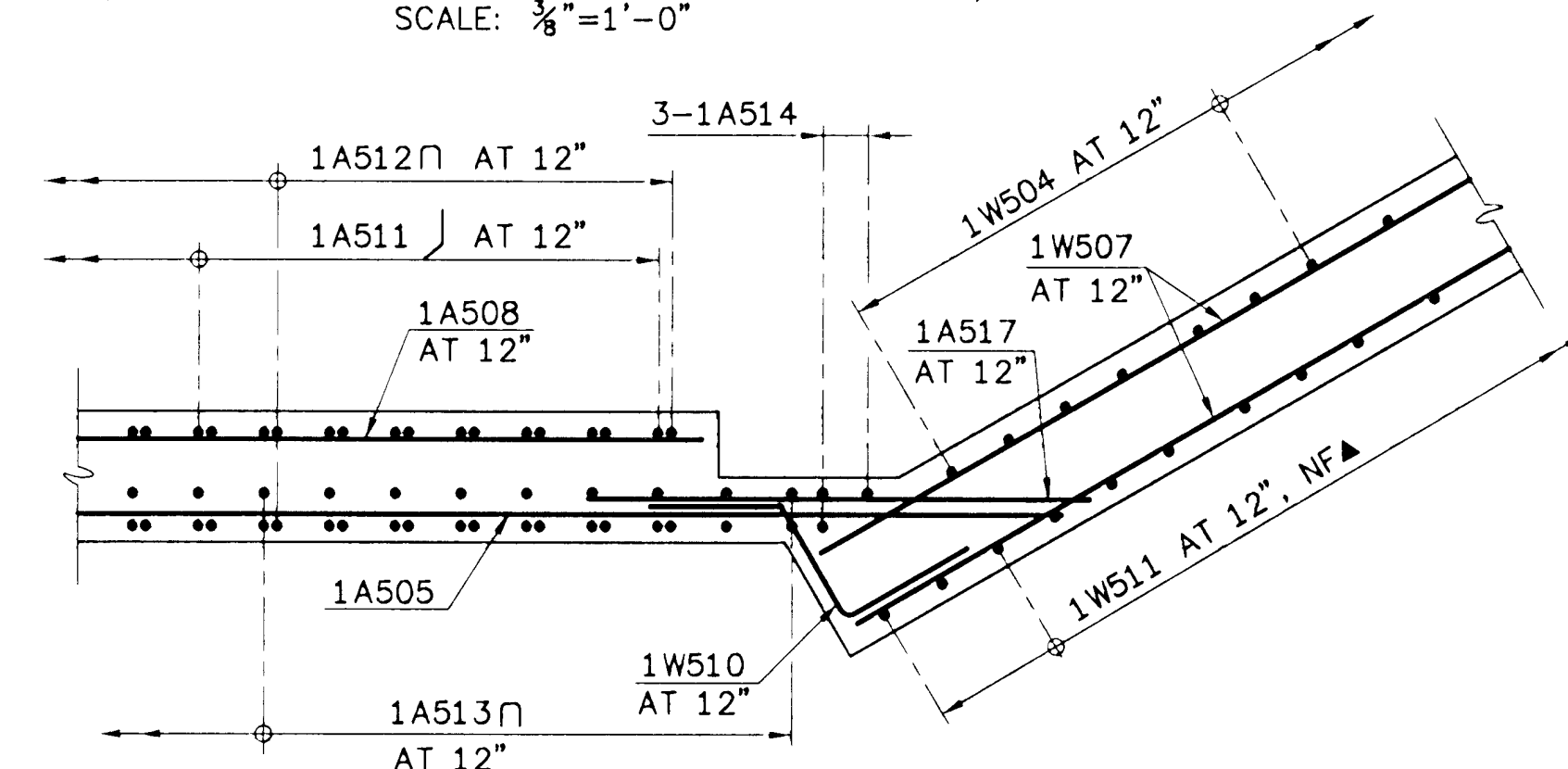
**WINGWALL NO. 2 ELEVATION**  
SCALE: 1/4"=1'-0"



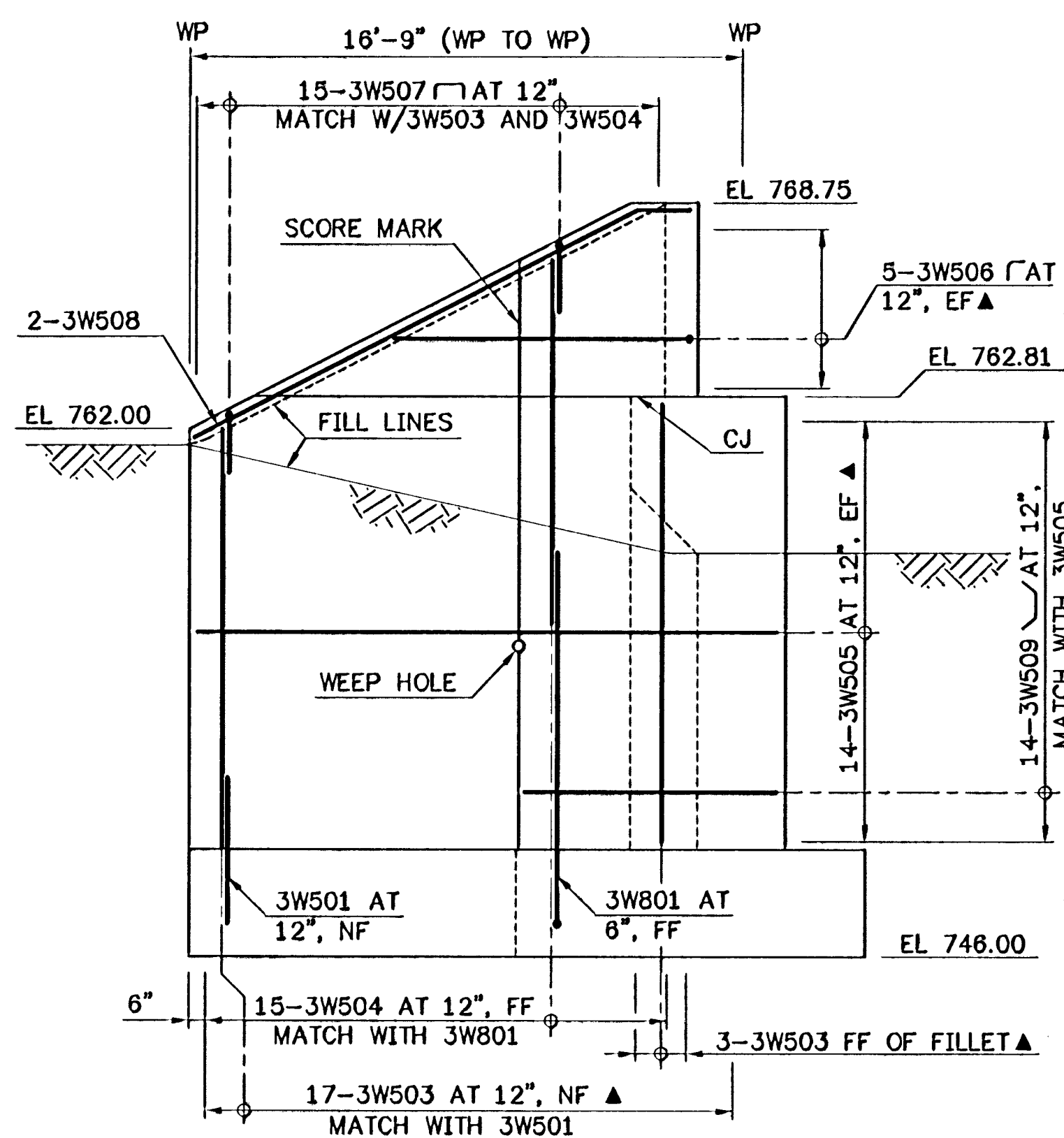
**SECTION B-B**  
(ABOVE APPROACH SLAB SEAT)  
(ABUTMENT NO. 1)  
SCALE: 3/8"=1'-0"



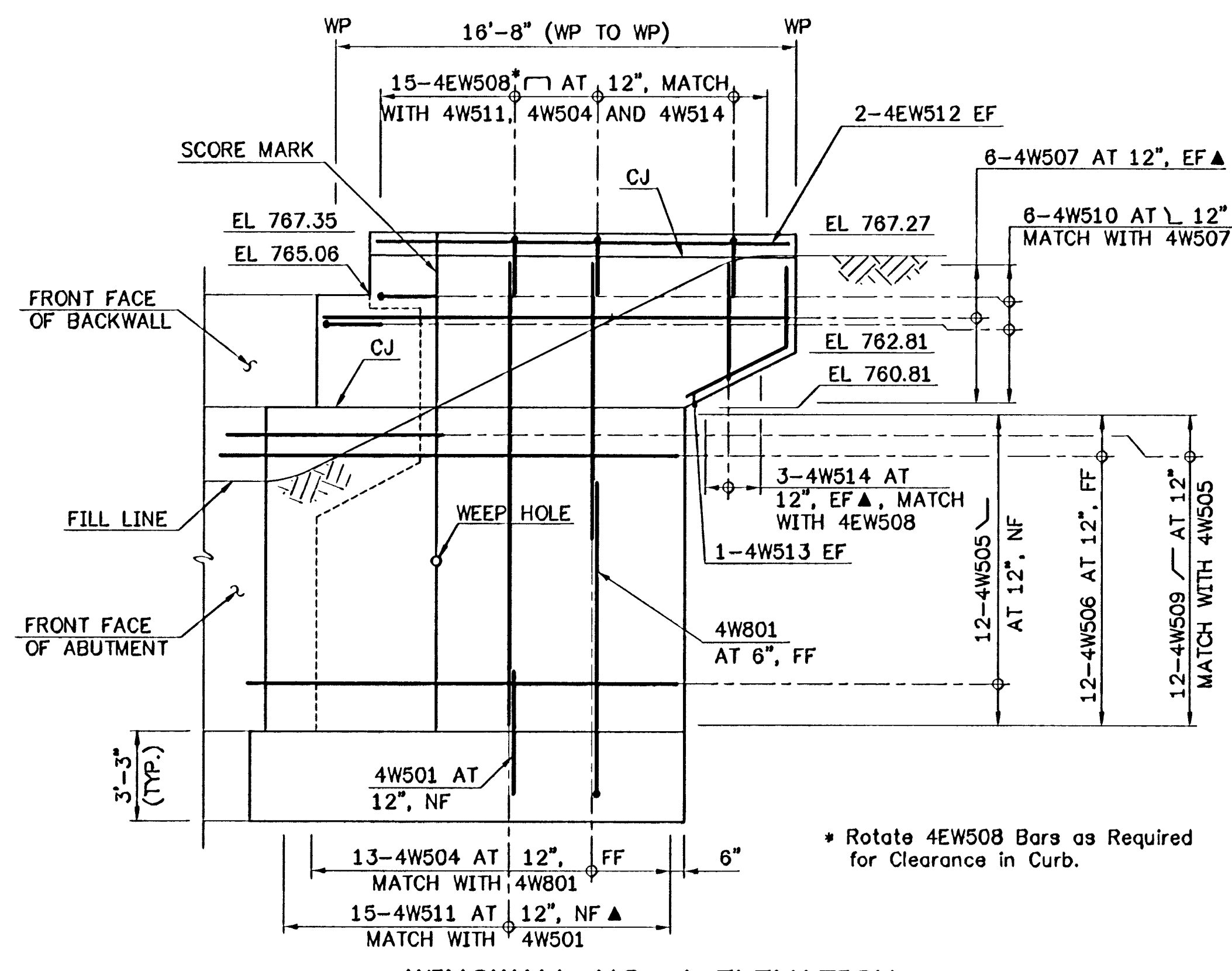
**SECTION G-G**  
(BELOW BEAM SEAT)  
(ABUTMENT NO. 1 SHOWN ABUTMENT NO. 2 SIMILAR)  
SCALE: 3/8"=1'-0"



**SECTION H-H**  
(THROUGH APPROACH SLAB SEAT)  
(ABUTMENT NO. 1)  
SCALE: 3/8"=1'-0"



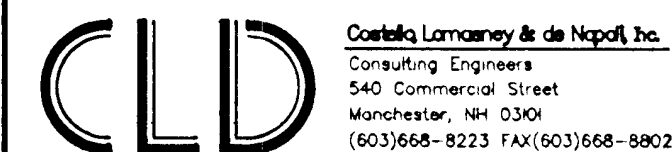
**WINGWALL NO. 3 ELEVATION**  
SCALE: 1/4"=1'-0"



**WINGWALL NO. 4 ELEVATION**  
SCALE: 1/4"=1'-0"

\* Rotate 4W508 Bars as Required for Clearance in Curb.

- KEY**
- FF = FAR FACE
  - NF = NEAR FACE
  - EF = EACH FACE
  - ▲ = CUT TO FIT IN FIELD
  - CJ = CONSTRUCTION JOINT



STATE OF VERMONT AGENCY OF TRANSPORTATION		
Town Of	BRAINTREE	Bridge No. 6
Highway No.	VT RTE 12A	Log Sta.
		Surv. Sta.
VT RTE 12A OVER 3RD BRANCH OF THE WHITE RIVER		
<b>WINGWALL ELEVATIONS</b>		
Designed By	E.M.Stumph	Drawn By: M.J.Lamper
Checked By	Date	CLD Project Manager
	E.M.Stumph	C.R.Bean Date 1/95
<b>PROJECT</b>	BRAINTREE	<b>PROJECT NO.</b> BRS 0187(6)
I.G.C. Info.		
Bridge Sheet No.	BR 118	Sheet 42 Of 79

90282W.dwg (1=1)plot