

PLAN

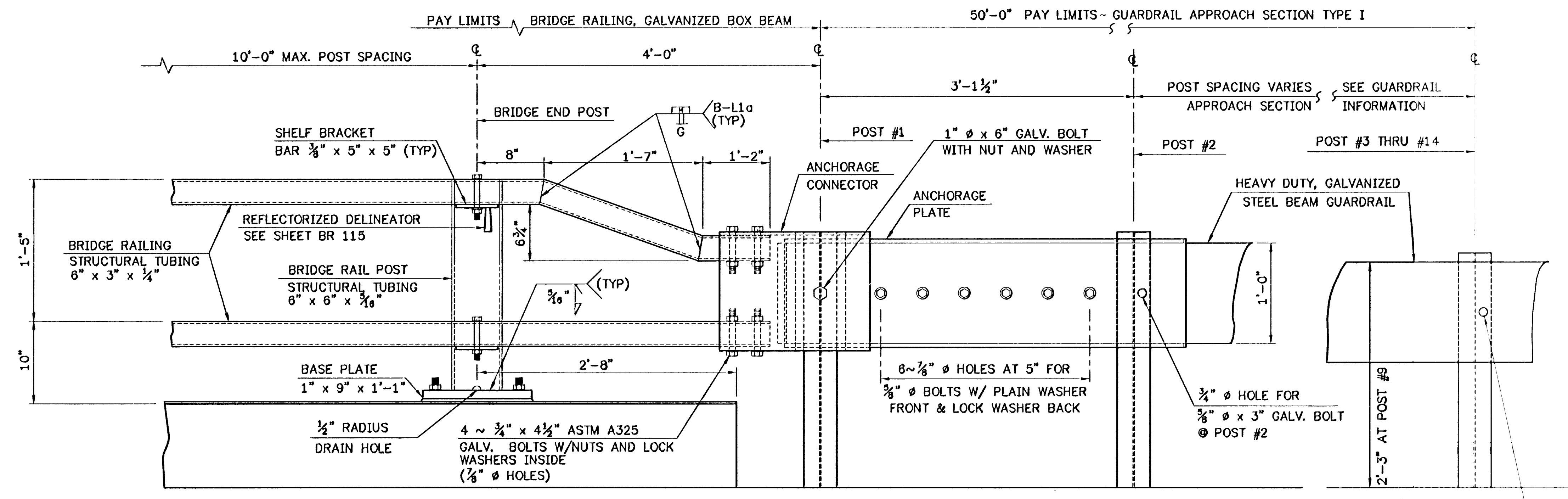
SCALE: 1 1/2" = 1'-0"

**GUARDRAIL
APPROACH SECTION
TYPE I**

POST NO.	SPACING
1	3'-1 1/2"
2	3'-1 1/2"
3	3'-1 1/2"
4	3'-1 1/2"
5	3'-1 1/2"
6	3'-1 1/2"
7	3'-1 1/2"
8	3'-1 1/2"
9	4'-2"
10	4'-2"
11	4'-2"
12	6'-3"
13	6'-3"
14	6'-3"

50'-0" PAY LENGTH GUARDRAIL TYPE I
APPROACH SECTION

FOR ADDITIONAL DETAILS OF BRIDGE RAILING, GALVANIZED BOX BEAM, SEE STD. DWGS. SB-R4A-82 AND SB-R4B-82



ELEVATION

SCALE: 1 1/2" = 1'-0"

FOR ADDITIONAL INFORMATION ON THE CONNECTION/TRANSITION DETAILS AT POST NO. 1, SEE SHEET BR 115

**STATE OF VERMONT
AGENCY OF TRANSPORTATION**

Town Of	BRAINTREE	Bridge No.	6
Highway No.	VT RTE 12A	Log Sta.	
		Surv. Sta.	
VT RTE 12A OVER 3RD BRANCH OF THE WHITE RIVER			
BRIDGE RAILING DETAILS AT ABUTMENT NO. 2			
Designed By	VAOT	Drawn By	VAOT
Modified & Checked By	E.M.Stumph	Date	1/95
		CLD Project Manager	C.R.Bean Date 1/95
PROJECT	BRAINTREE	PROJECT NO.	BRS 0187(6)
I.G.C. Info. Translated To AutoCad			
Bridge Sheet No.	BR 114	Sheet	38 Of 79



90252R12.dwg (1-B)(cloc)