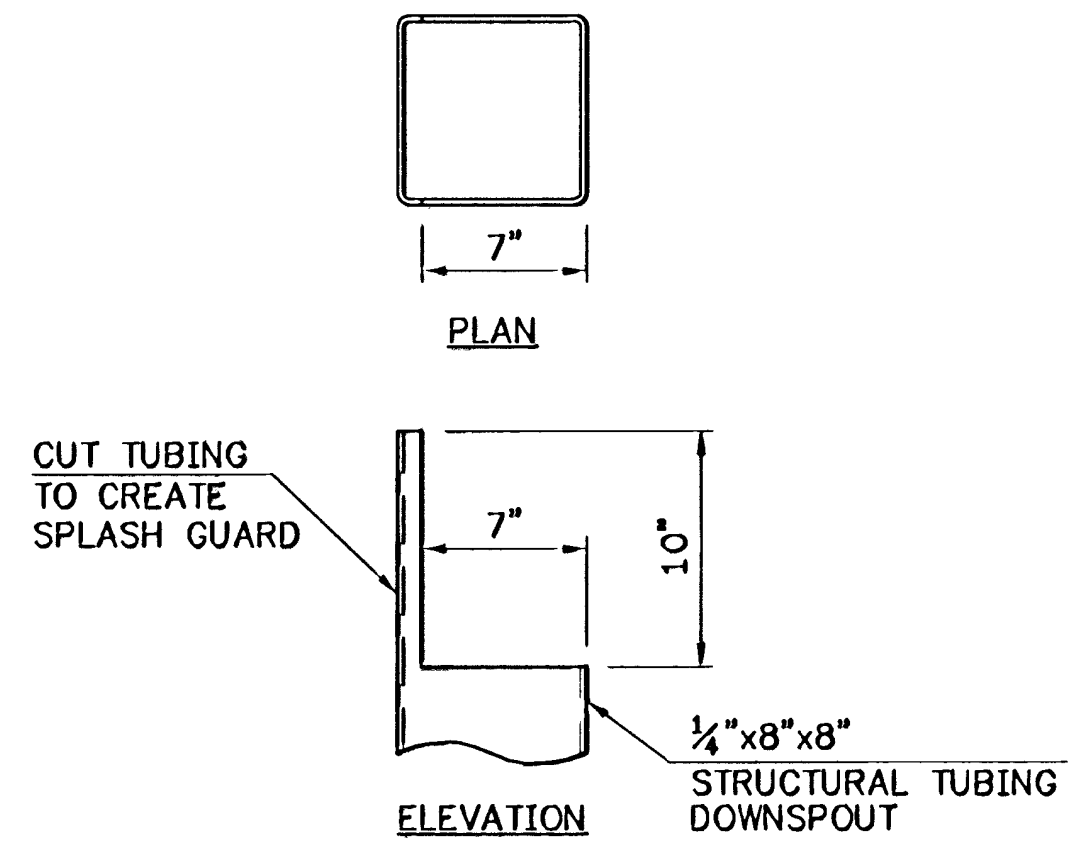
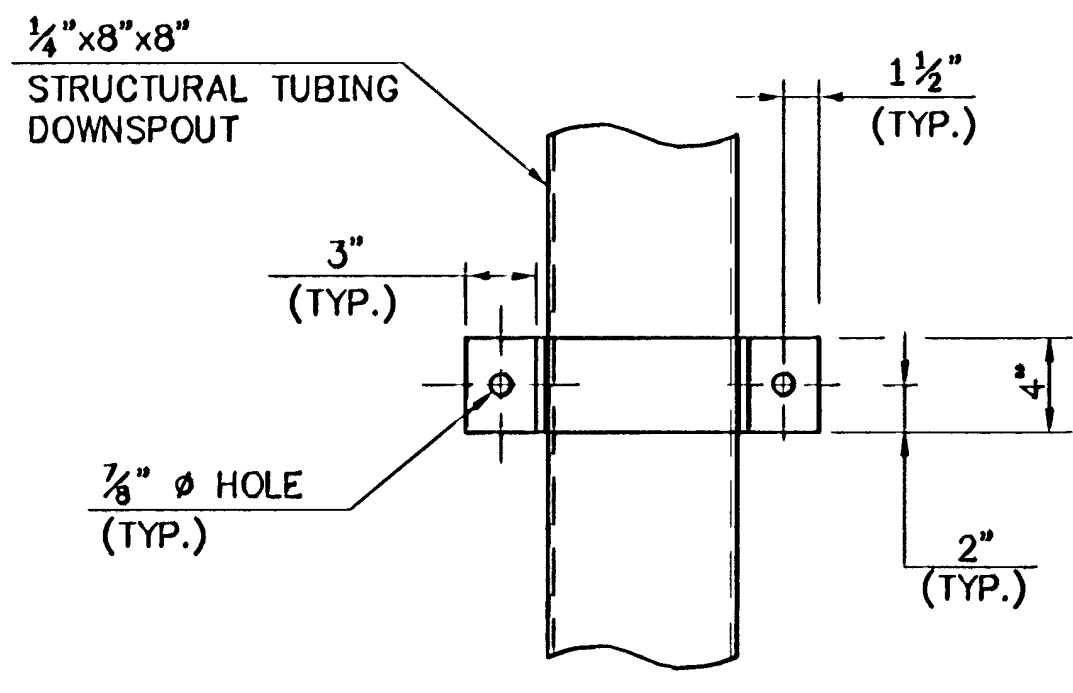


SECTION A-A
SCALE: 1" = 1'-0"
(REFER TO SHEET BR 110 FOR LOCATION)



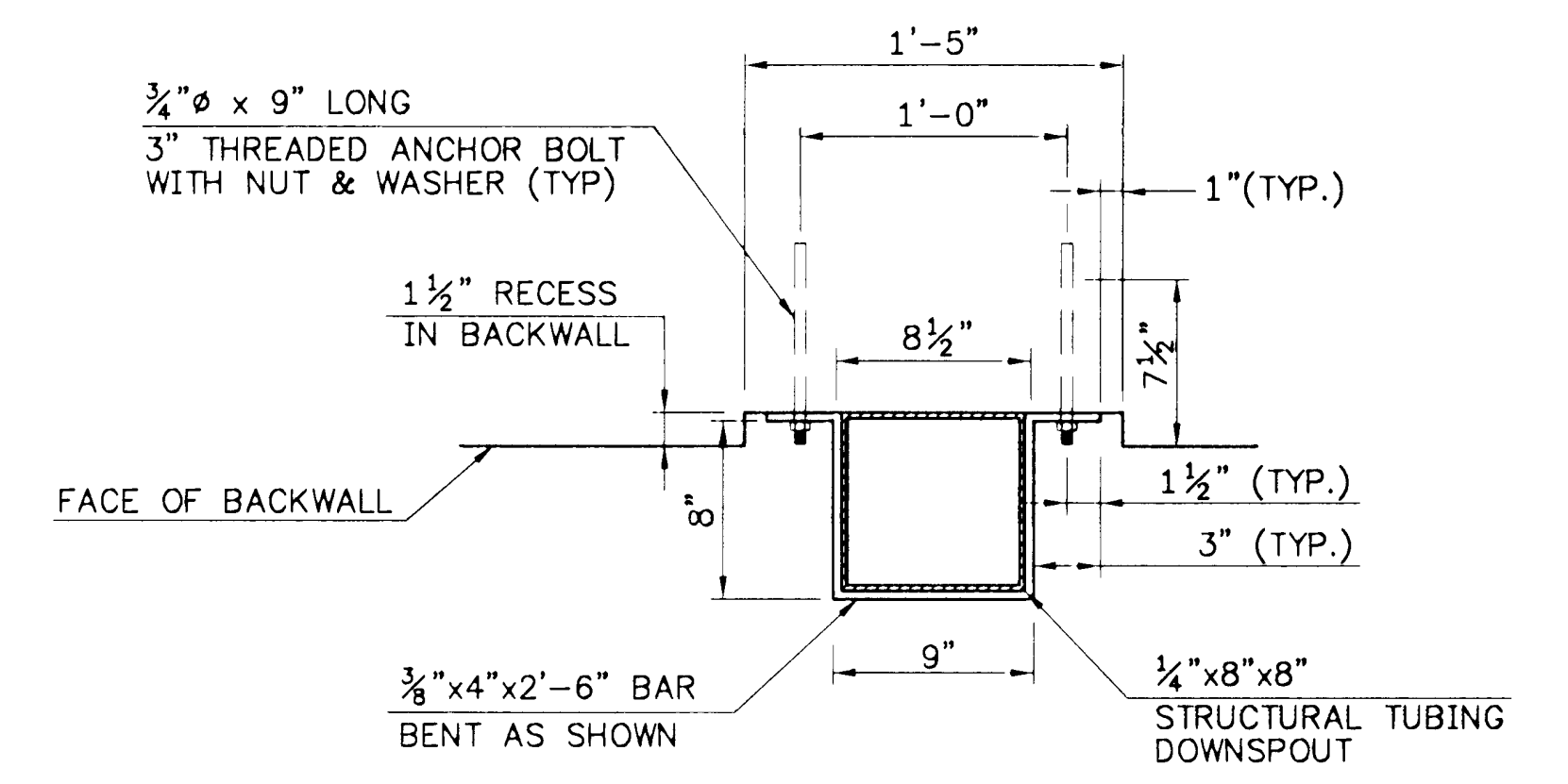
DOWNSPOUT SPLASH GUARD DETAIL
SCALE: 1 1/2" = 1'-0"



ELEVATION VIEW OF BAR
SCALE: 1 1/2" = 1'-0"

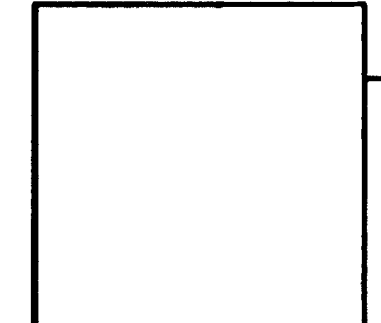
DOWNSPOUT NOTES:

- HOLLOW STRUCTURAL STEEL TUBING SHALL CONFORM TO ASTM A-500 OR ASTM A-501.
- ALL BARS SHALL CONFORM TO AASHTO M270 GRADE 36 AND SHALL BE GALVANIZED.
- DOWNSPOUT SHALL BE GALVANIZED IN ACCORDANCE WITH ASTM A-123 AFTER FABRICATION.
- ALL DOWNSPOUT BOLTS AND RELATED HARDWARE SHALL BE ASTM A-307 AND SHALL BE GALVANIZED IN ACCORDANCE WITH ASTM A-153 (AASHTO M232).
- ANY PLACE WHERE THE GALVANIZING HAS BEEN REMOVED FROM THE DOWNSPOUT OR 4" BAR EITHER BY CUTTING, BURNING, WELDING, PLACING, OR ANY OTHER MEANS, SHALL BE REPAIRED BY THOROUGHLY CLEANING THE DAMAGED AREAS WITH A WIRE BRUSH AND PAINTING THE DAMAGED AREAS WITH TWO COATS OF AN APPROVED SEALANT.
- DOWNSPOUT SHALL BE PAID FOR UNDER THE ITEM 506.55 "STRUCTURAL STEEL (PLATE GIRDER)".



DETAILS FOR ATTACHING DOWNSPOUT TO BACKWALL
SCALE: 1 1/2" = 1'-0"

50282DSE.dwg (1=1) (plot)



CLD Corbett Lannan & de Napoli, Inc.
Consulting Engineers
540 Commercial Street
Manchester, NH 03109
(603)668-8223 FAX(603)668-8802

STATE OF VERMONT		
AGENCY OF TRANSPORTATION		
Town Of	BRAINTREE	Bridge No. 6
Highway No.	VT RTE 12A	Log Sta.
		Surv. Sta.
VT RTE 12A OVER 3RD BRANCH OF THE WHITE RIVER		
EXPANSION JOINT DOWNSPOUT DETAILS		
Designed By	VAOT	Drawn By VAOT
Modified and Checked By	Date CLD Project Manager	
E.M.Stumph	1/95	C.R.Bean Date 1/95
PROJECT	BRAINTREE	PROJECT NO.
		BRS 0187(6)
I.G.C. Info. Translated to Autocad		
Bridge Sheet No.	BR 112	Sheet 36 Of 79