

# TYPICAL SECTIONS

MATERIAL ITEM	THICKNESS TOLERANCE
PAVEMENT (TOTAL DEPTH)	± 1/4"
SUBBASE	± 1/2"
SAND BORROW	± 1"

1-1/4" BITUMINOUS CONCRETE PAVEMENT (TYPE III)  
 1-3/4" BITUMINOUS CONCRETE PAVEMENT (TYPE II)  
 2-1/2" BITUMINOUS CONCRETE PAVEMENT (TYPE I)  
 SHOULDERS: 1-1/4" BITUMINOUS CONCRETE PAVEMENT (TYPE III)  
 1-3/4" BITUMINOUS CONCRETE PAVEMENT (TYPE II)

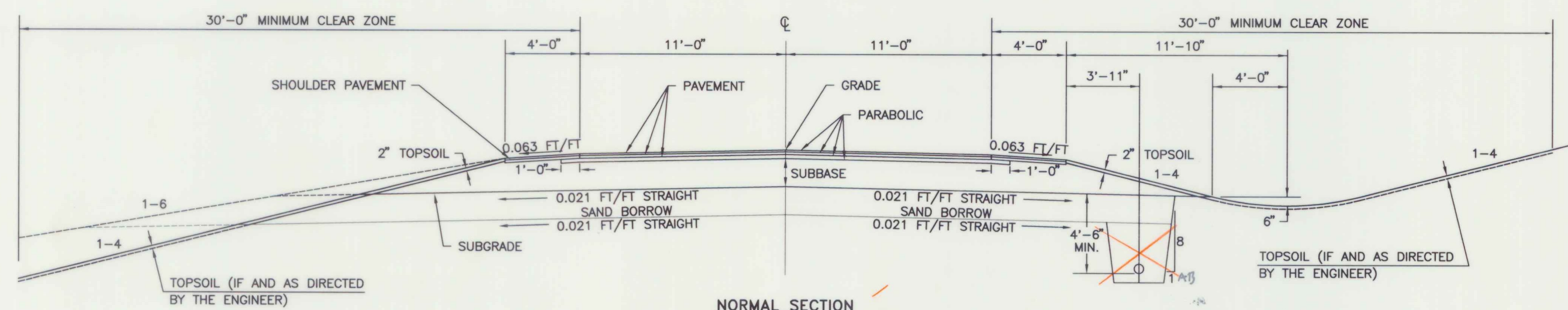
**ALTERNATE A**  
 18" SUBBASE OF DENSE GRADED CRUSHED STONE  
 18" SAND BORROW

**ALTERNATE B**  
 18" SUBBASE OF CRUSHED GRAVEL (COARSE GRADED)  
 18" SAND BORROW

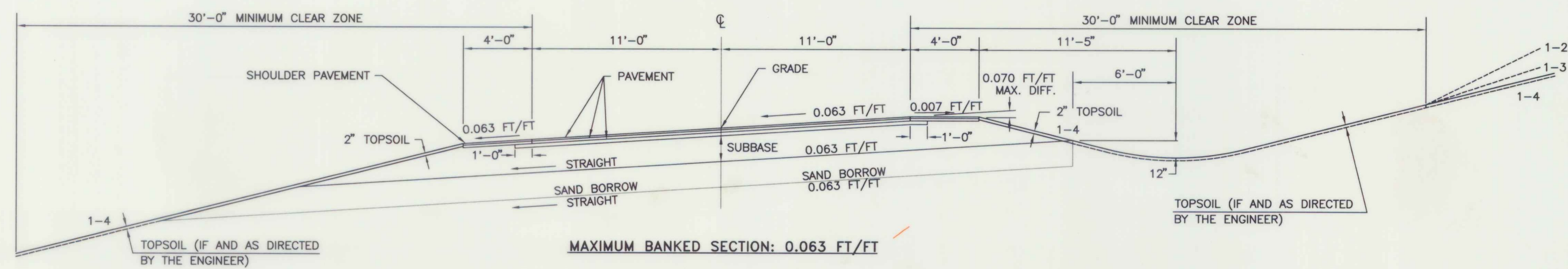
## SEEDING FORMULA - RURAL AREAS

% WT.	LBS./A	NAME	PUR %	GERM %
37.50	22.5	CREeping RED FESCUE	98	85
37.50	22.5	TALL FESCUE	95	90
5.00	3	RED TOP	95	90
15.00	9	BIRD'SFOOT TREFOIL	98	85
5.00	3	ANNUAL RYEGRASS	95	85
100.00	60.0			

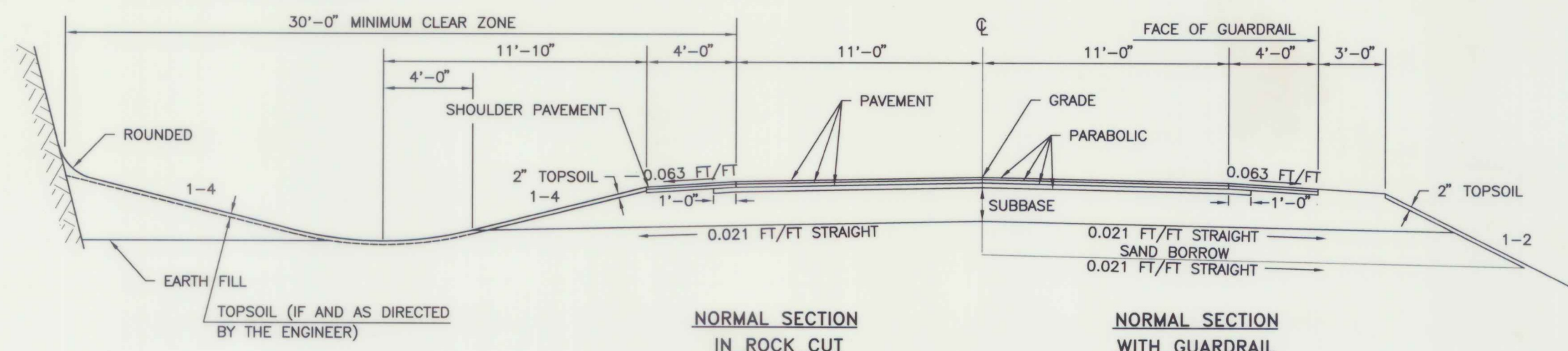
SEED MIXTURE: SHALL NOT HAVE A WEED CONTENT EXCEEDING 0.40% BY WEIGHT AND SHALL BE FREE OF ALL NOXIOUS WEED SEED.  
 SEED: TO BE APPLIED PER SEEDING FORMULAS OR AS DIRECTED BY THE ENGINEER.  
 FERTILIZER: FORMULA 10-20-10 TO BE USED WITH SEED, APPLIED AT THE RATE OF 500 LBS./ACRE (HYDRO SEEDERS MAY USE 19-19-19 FORMULA).  
 AGRICULTURAL LIMESTONE: TO BE APPLIED AT THE RATE OF 2 TONS/ACRE OR AS DIRECTED BY THE ENGINEER.  
 HAY MULCH: TO BE PLACED ON EARTH SLOPES AT THE RATE OF 2 TONS/ACRE OR AS DIRECTED BY THE ENGINEER.  
 TOPSOIL: TO BE USED WITH SEED AS INDICATED ON THE PLANS, OR AS DIRECTED BY THE ENGINEER.  
 MARKER POSTS: TO BE PLACED AS INDICATED OR AS DIRECTED BY THE ENGINEER.  
 SLOPE ROUNDING: ALL CUT SLOPES TO BE ROUNDED IN ACCORDANCE WITH STANDARD SHEET B-5.  
 PAY LIMITS OF SAND BORROW: WHEN USED IN CONJUNCTION WITH UNDERDRAIN - SEE STANDARD SHEET D-2.  
 EMULSIFIED ASPHALT IS TO BE APPLIED AT THE RATE OF 0.015 GAL/SY BETWEEN SUCCESSIVE COURSES OF PAVEMENT AS DIRECTED BY THE ENGINEER.  
 FOR SLOPES IN SOLID ROCK EXCAVATION AND DRILLING AND BLASTING OF SOLID ROCK SUBGRADE, SEE STANDARD SHEET A-60.



NORMAL SECTION

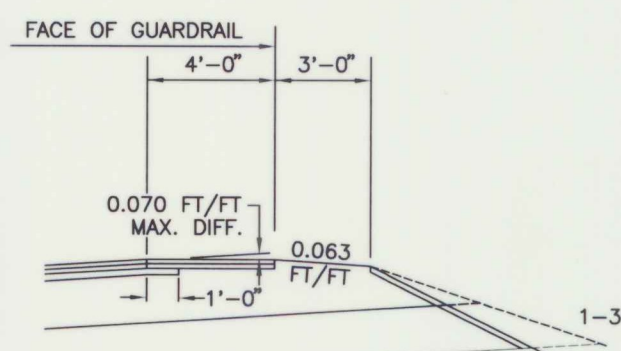


MAXIMUM BANKED SECTION: 0.063 FT/FT

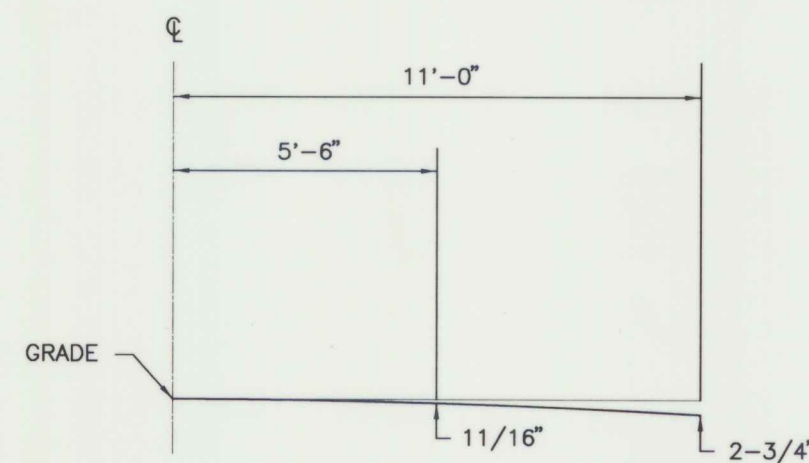


NORMAL SECTION IN ROCK CUT

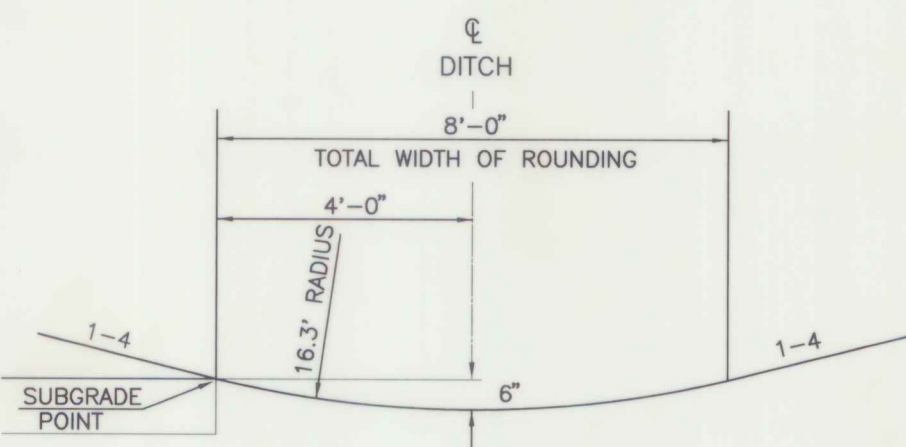
NORMAL SECTION WITH GUARDRAIL



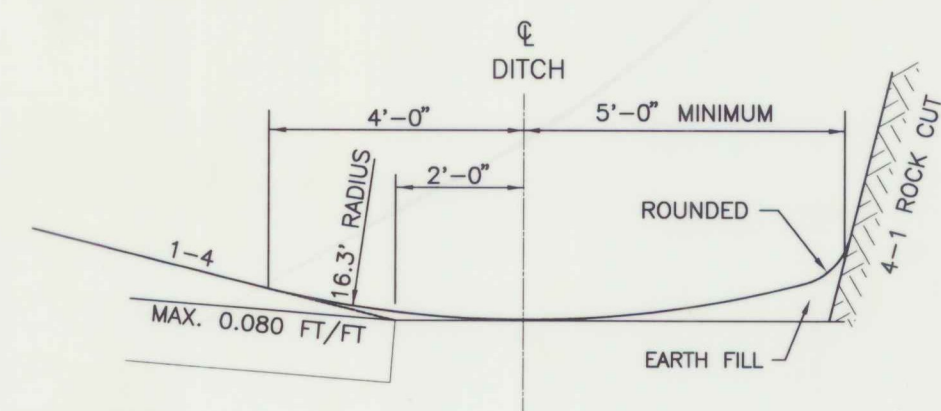
DETAIL OF GUARDRAIL ON HIGH SIDE OF BANKED SECTION



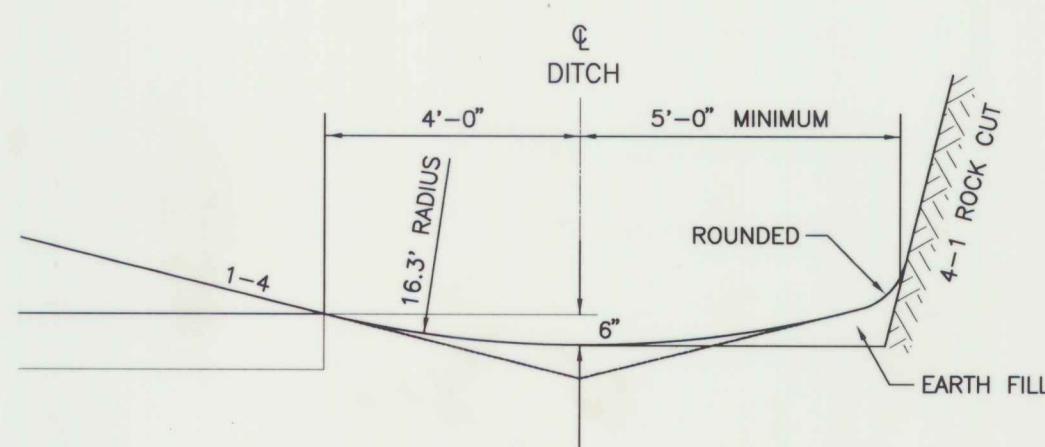
PARABOLIC DETAIL



TYPICAL DITCH DETAIL



DETAILS OF DITCH AND BACKSLOPE FOR LOW SIDE OF BANK ≥ 0.042 FT/FT



DETAILS OF DITCH AND BACKSLOPE FOR LOW SIDE OF BANK < 0.042 FT/FT

## STATE OF VERMONT AGENCY OF TRANSPORTATION

Town Of	BRAINTREE	Bridge No.	6
Highway No.	VT. Route 12A	Log Sta.	
		Surv. Sta.	
VT RTE 12A OVER THE THIRD BRANCH OF THE WHITE RIVER			
TYPICAL SECTION - ROUTE 12A			
Designed By	J. Warner	Drawn By	D. Eckman
Checked By	Date	Bridge Design Supervisor	Date
J. Warner	9/94		
PROJECT	BRAINTREE	PROJECT NO.	BR8 0187(6)
I.G.C. Info.			
Bridge Sheet No.		Sheet	3 Of 79