



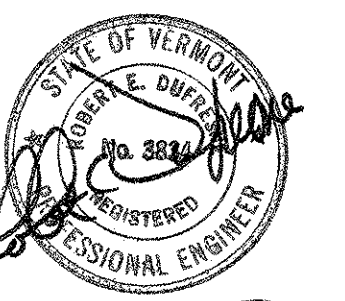
Dufresne & Associates, P.C.
 54 Main Street, P.O. Box B
 Windsor, Vermont 05089
 Tel: (802) 674-2904 Fax: (802) 674-2913
 E-mail: dufresne@vermont.net
 Home page: http://www.dufresneassociates.com

Project #	413007
Project Mgr.	RAW
Design	RAW
Drawn	EAE
Checked by	JRP
Date	DEC. 10, 2004
Scale	1" = 20'-0"
Approved by	RED

Revisions:

THE DRAWINGS FOR THIS PROJECT SHALL NOT BE REUSED OR ALTERED IN ANY WAY WITHOUT THE WRITTEN APPROVAL AND AUTHORITY OF DUFRESNE & ASSOCIATES, P.C. ANY REVISIONS SHALL BE MADE BY THE ENGINEER.

Dufresne & Associates, P.C.

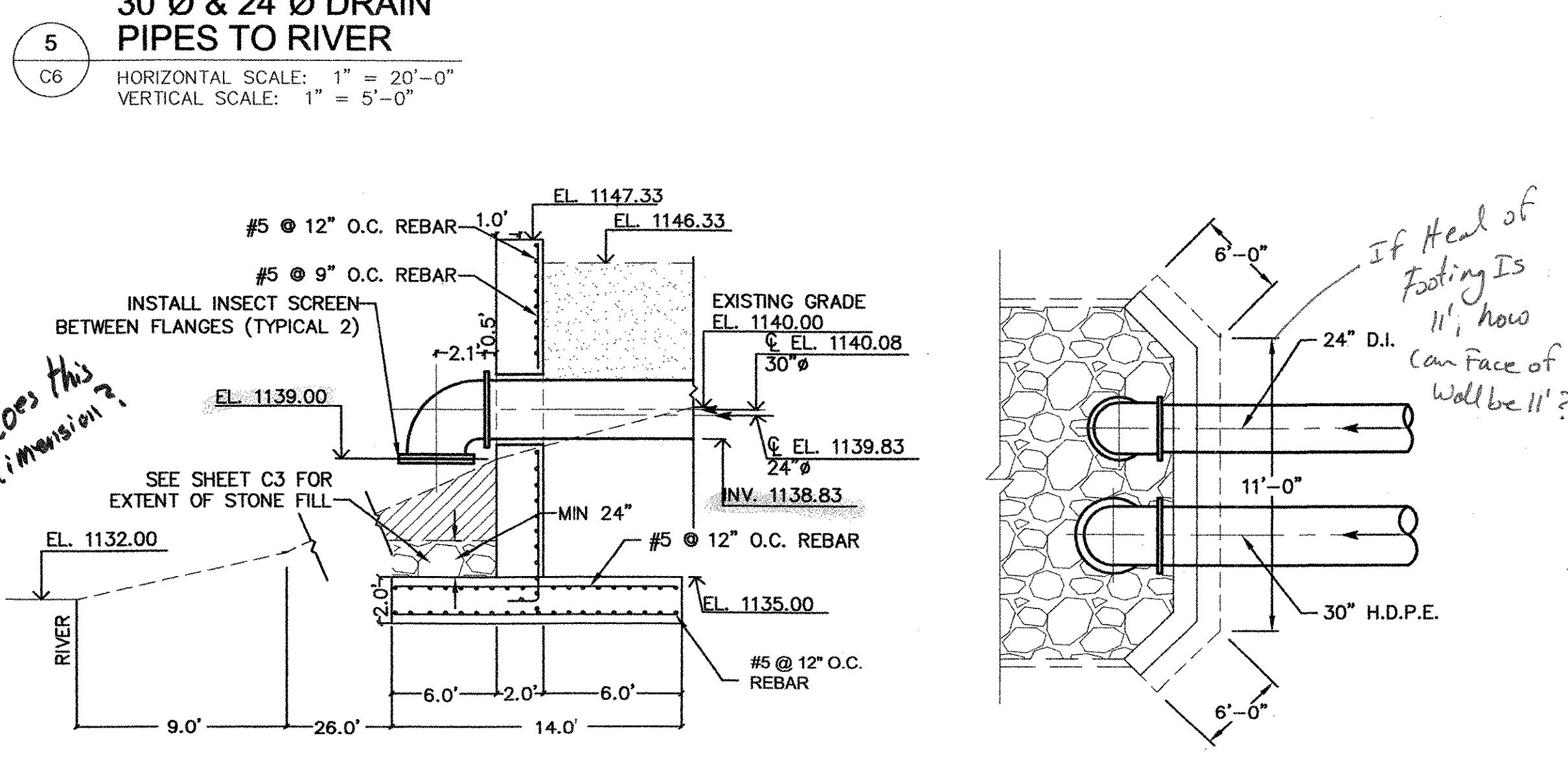
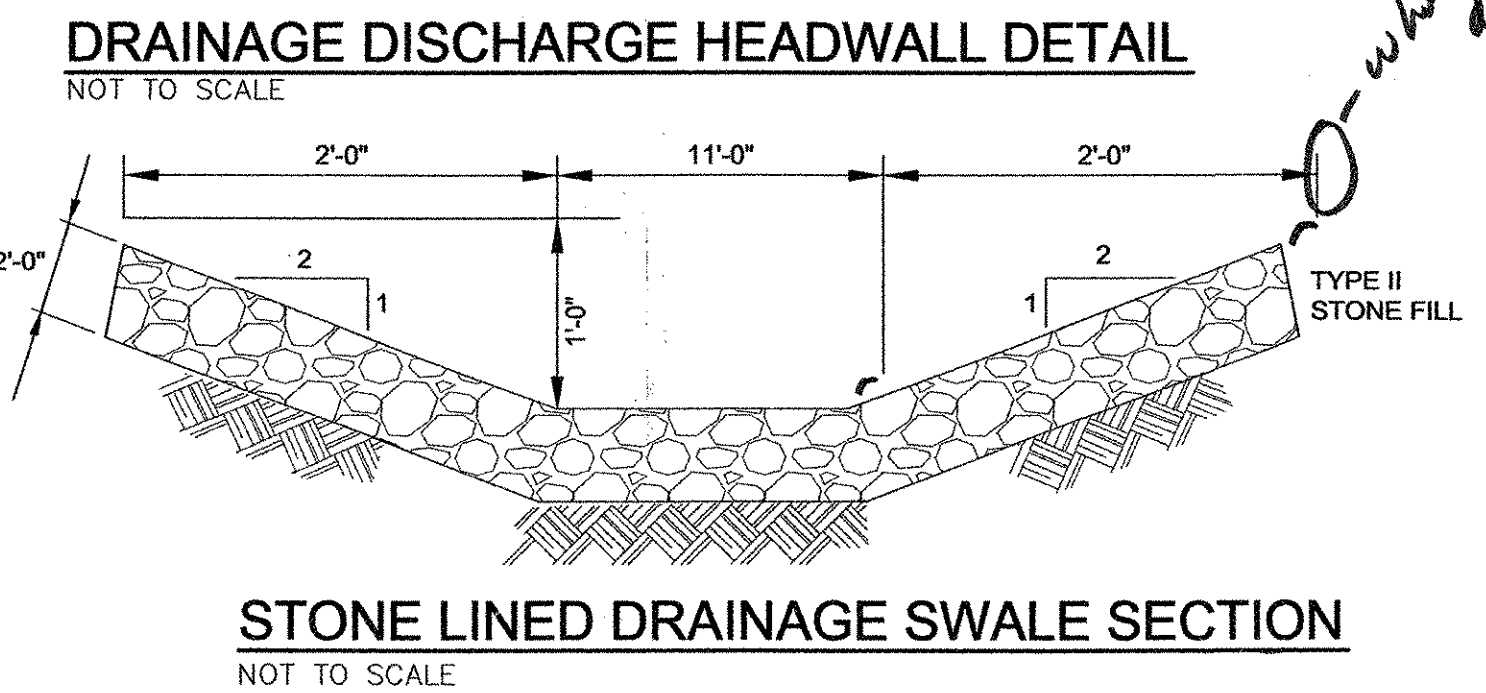
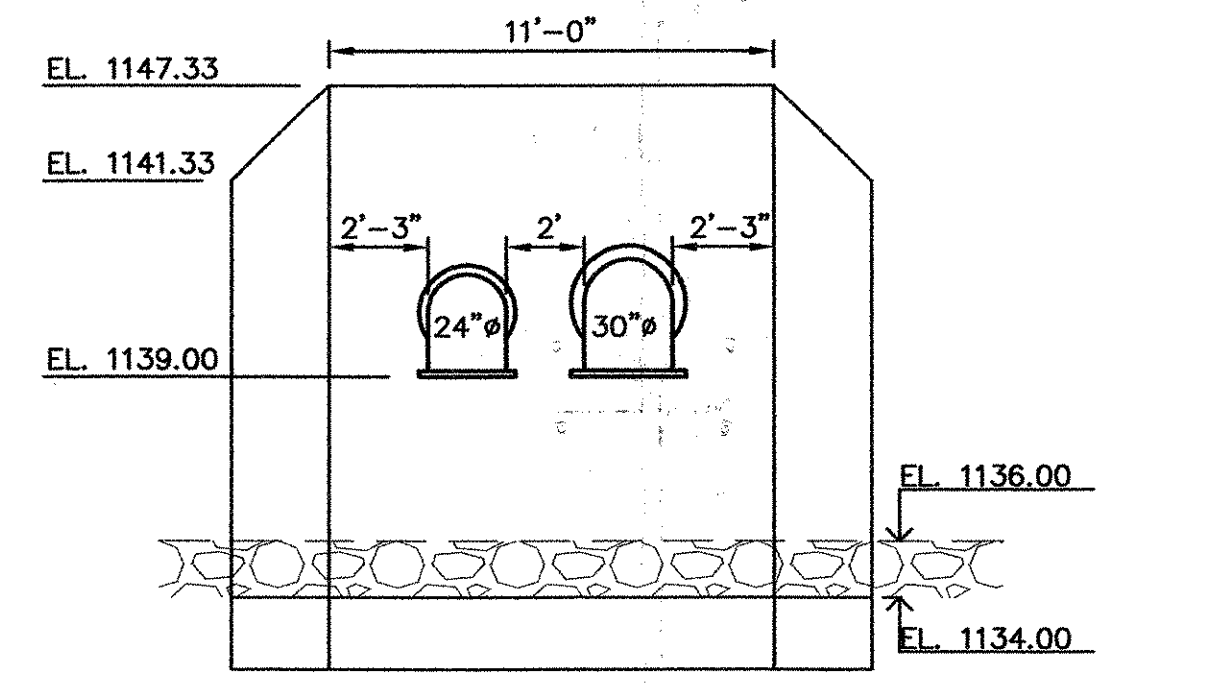
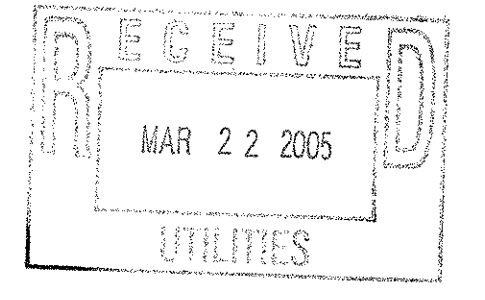
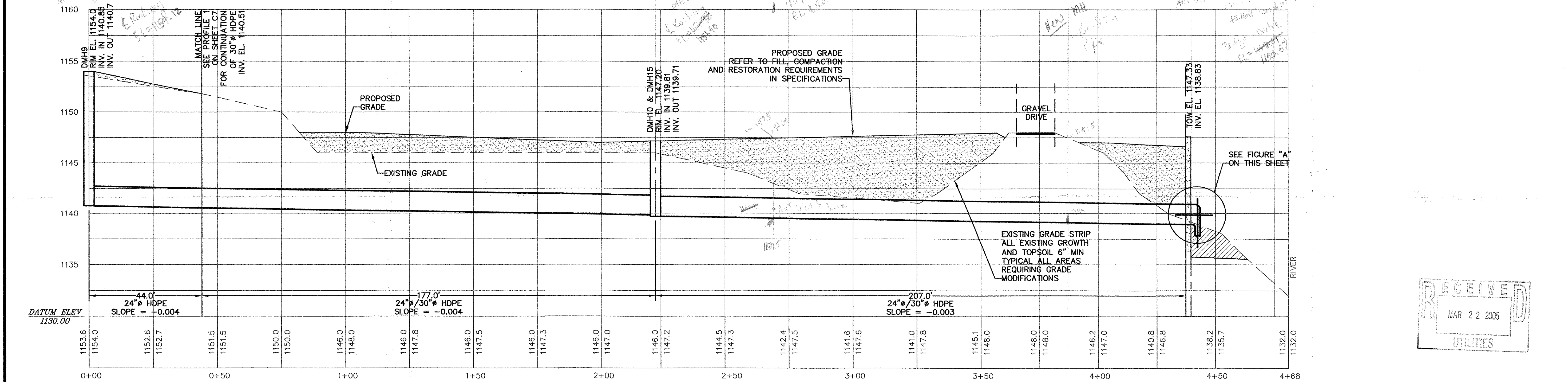
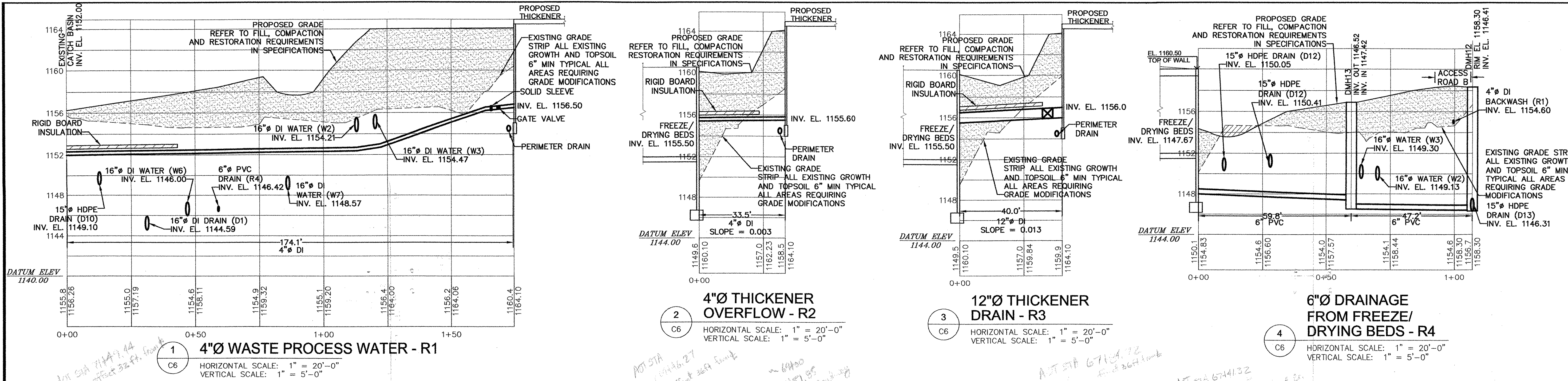


3-17-05

WATER TREATMENT FACILITY AND INTAKE UPGRADES

UTILITY PROFILES

BENNINGTON, VERMONT



- NOTES:**
- REFER TO GENERAL CONSTRUCTION NOTES AND ABBREVIATIONS ON SHEET G1.
 - SEE SHEET C6 FOR YARD PIPING PLAN.
 - WATER MAINS SHALL HAVE A MINIMUM 5.5 FEET OF COVER. WHERE 5.5 FEET OF COVER CANNOT BE MAINTAINED OVER THE WATER MAIN, 4 INCHES OF RIGID BOARD INSULATION SHALL BE INSTALLED AS SHOWN ON SHEET C11.
 - ALL MECHANICAL JOINT FITTINGS, VALVES, AND HYDRANTS SHALL INCORPORATE THE MEGA-LUG RETAINER GLAND INSTEAD OF THE COMMON FOLLOWER GLAND.
 - REFER TO THRUST BLOCK, HYDRANT BRANCH, AND TRENCH SECTION DETAILS SHOWN ON SHEET C11.
 - REFER TO SHEET E2 FOR UNDERGROUND ELECTRICAL AND TELEPHONE SERVICE. VERIFY EXACT LOCATION WITH UTILITY COMPANIES.
 - HIGH PRESSURE GAS MAIN, AIR AND WATER PIPING TO LIME SILO NOT SHOWN ON PROFILES. LOCATION OF THESE UTILITIES TO BE FIELD COORDINATED.
 - REFER TO SHEET C10 FOR HEADWALL DETAILS.
 - DASHED LINES DENOTE APPROXIMATE EXISTING GRADE.
 - SOLID LINES DENOTE PROPOSED FINISHED GRADE AND STRUCTURES.
 - REFER TO PIPE BEDDING AND COMPACTION REQUIREMENTS IN SPECIFICATION SECTION 02300.

BID DOCUMENTS
 DO NOT REVISE

C10