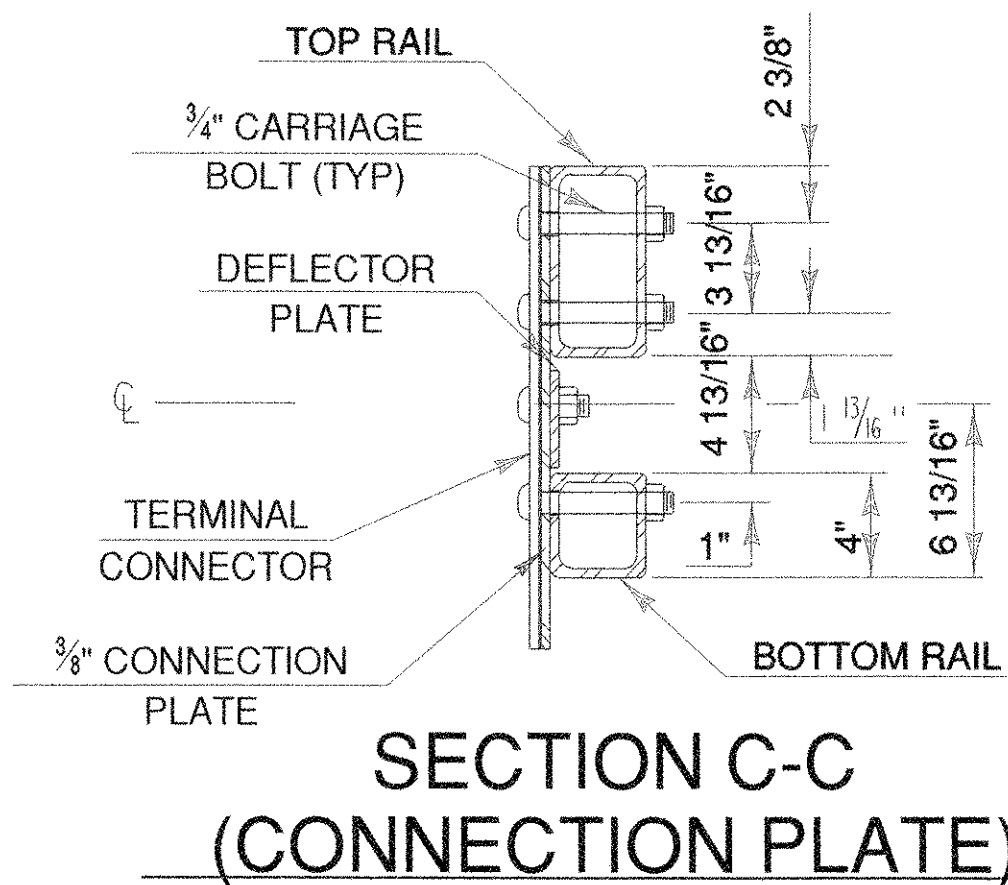
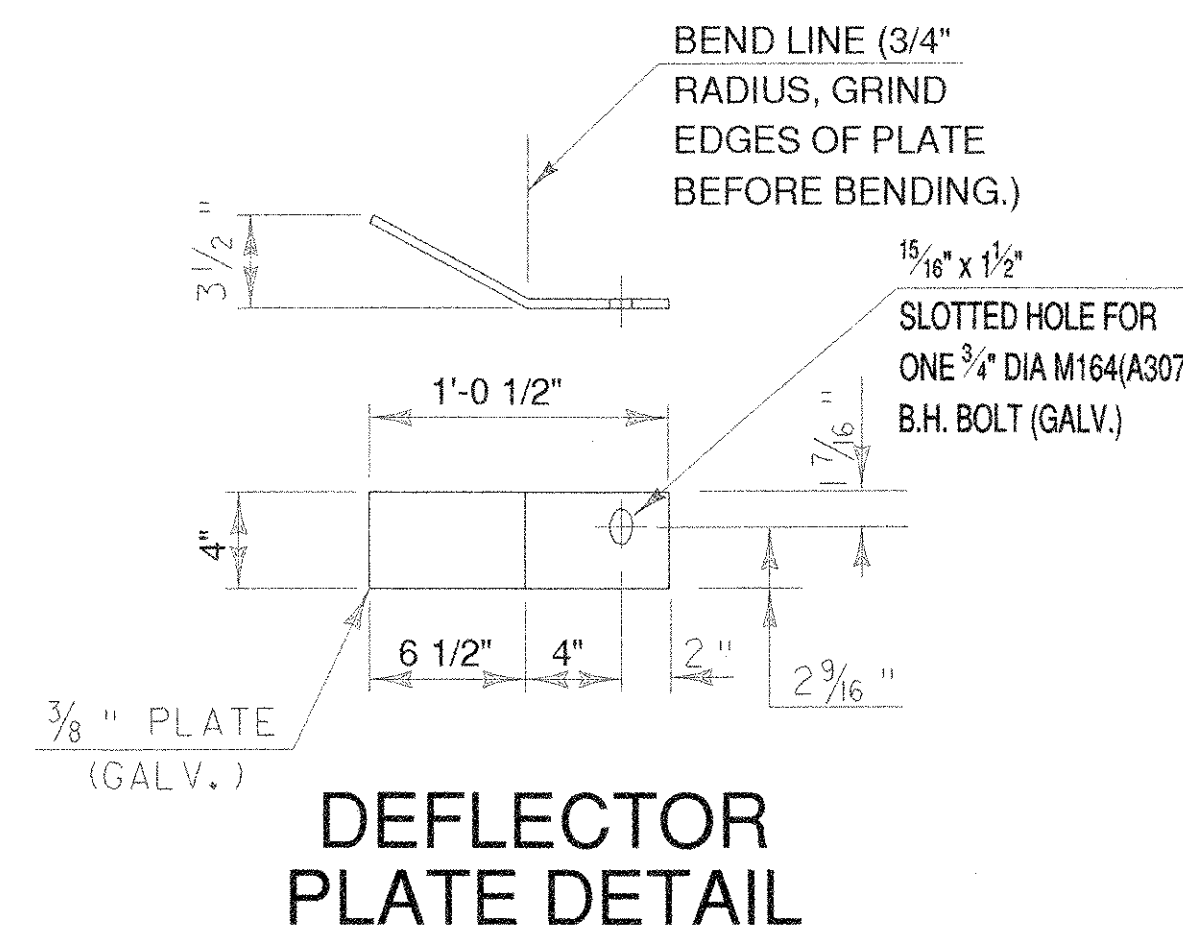


THREE-BEAM TERMINAL CONNECTOR

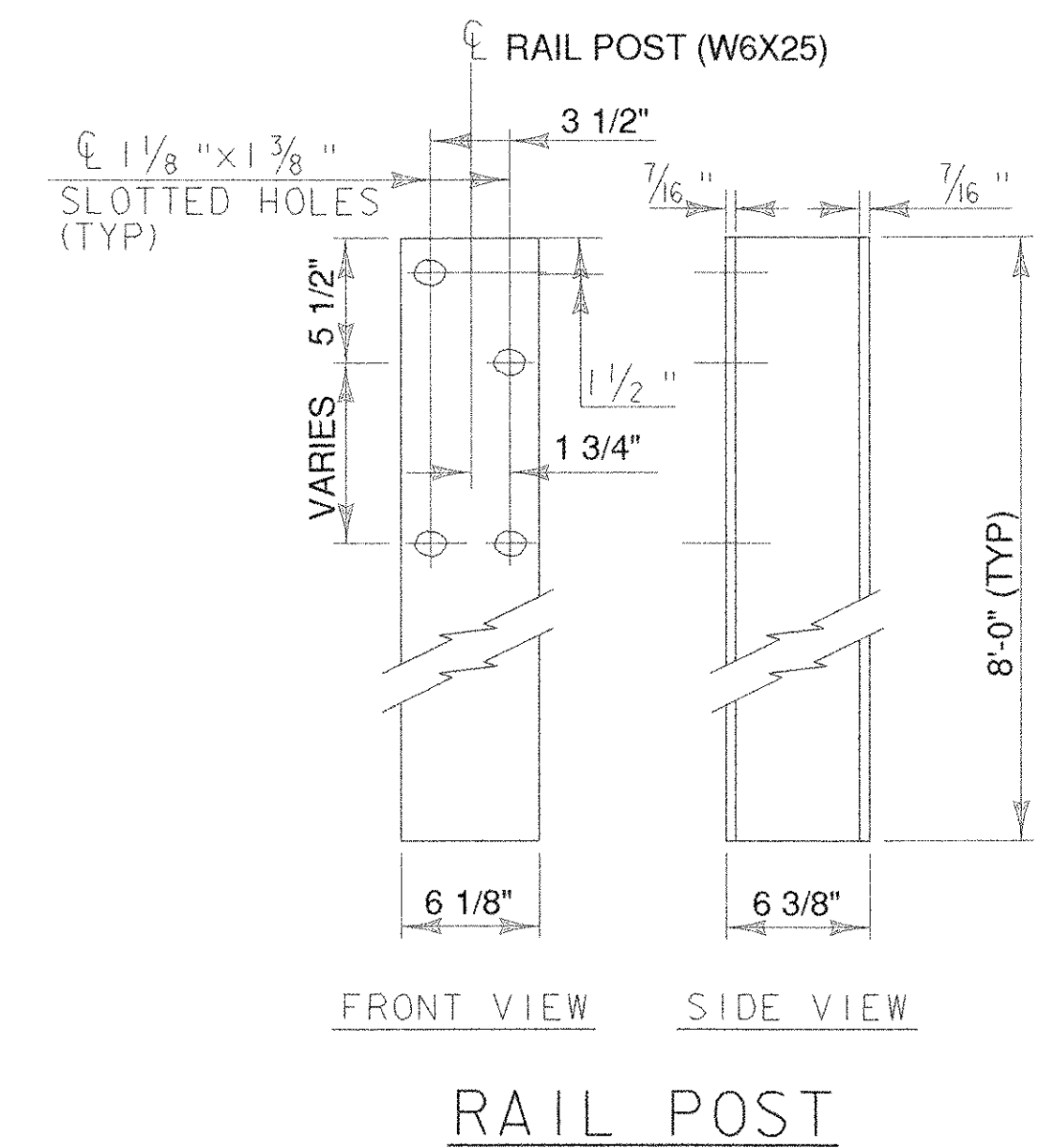
CONNECTION PLATE



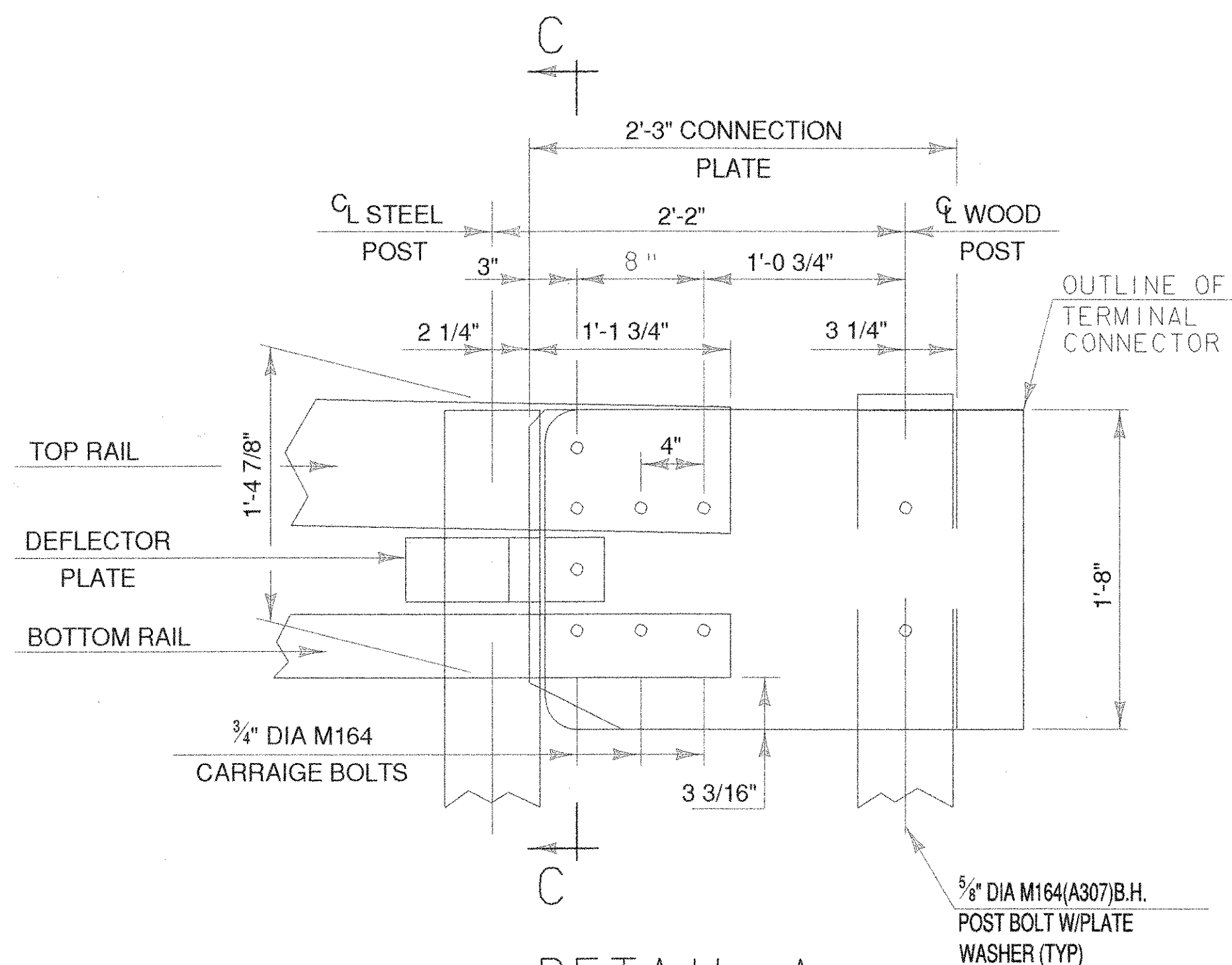
SECTION C-C (CONNECTION PLATE)



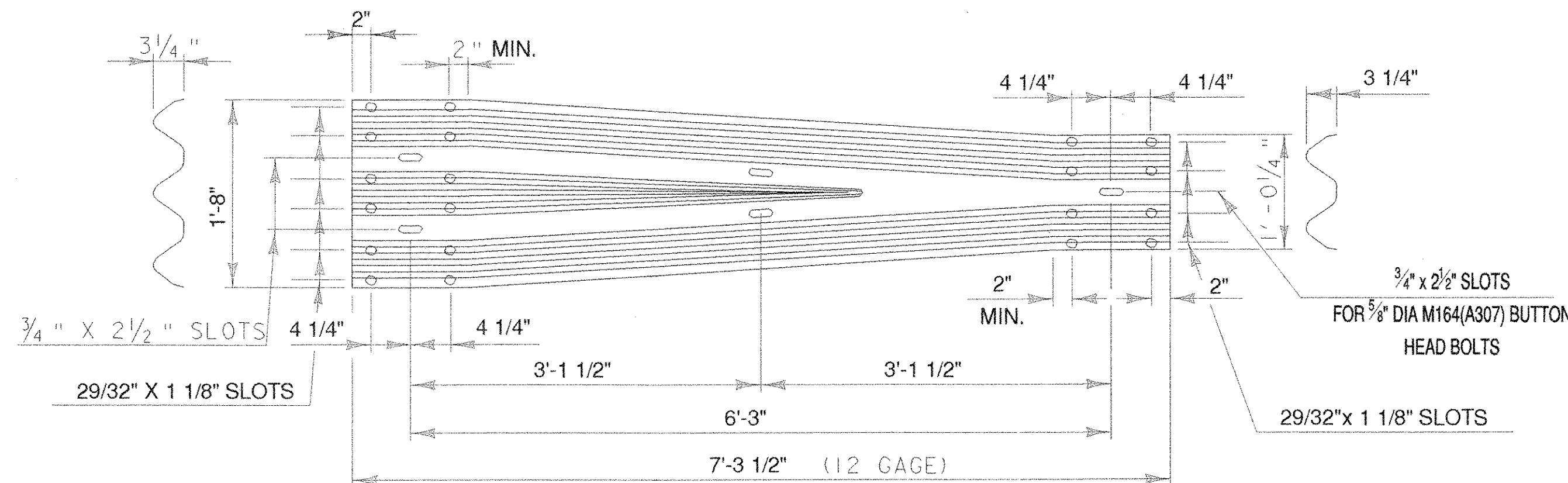
DEFLECTOR PLATE DETAIL



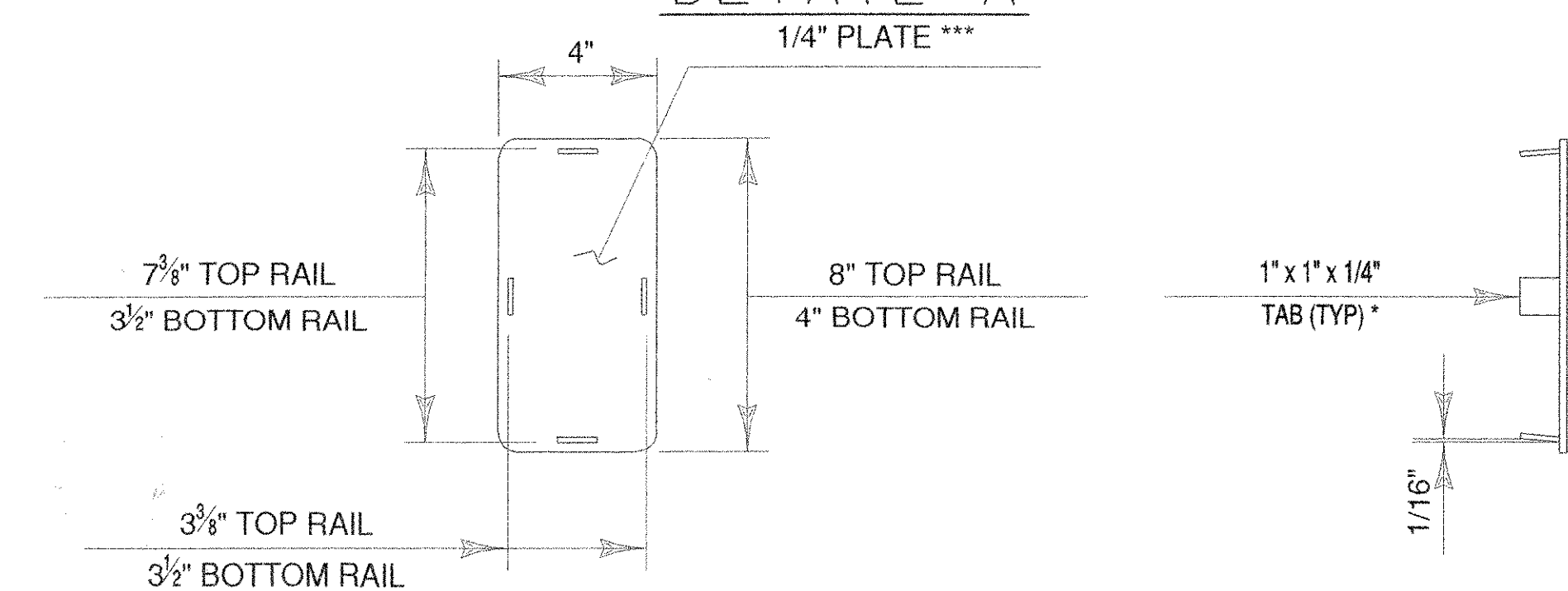
RAIL POST



DETAIL A



THREE-BEAM TO STD SB TRANSITION SECTION



END CAP DETAIL

- * WELD TABS TO END CAP PLATE IN TAPERED POSITION SO CAP CAN BE JAMMED INTO END OF RAIL TUBE.
- ** ROUND CORNERS 1/2" RADIUS (TYP)

RECEIVED
 CK'D BY WTF CK'D BY _____
 MAY 11 2006
 RESUBMIT _____ APPROVED X
 BY _____ DATE 05/10/06

ALL DIMENSIONS MUST BE FIELD VERIFIED PRIOR TO FABRICATION BY CONTRACTOR

DRAWN BY: THW	DATE 3/28/06	CHECKED BY: DKK	SHEET NO. 2 OF 2
TRANSITION RAILING DETAILS			
STATE OF VERMONT AGENCY OF TRANSPORTATION VT. 9 (BR. 11) OVER ROARING BRANCH IN THE TOWN OF WOODFORD			
CONT. NO.	BHF010-1(29)		
GEN. CONT.	RENAUD BROTHERS, INC.		
ERECTOR:	RENAUD BROTHERS, INC.		
FABRICATOR:	PH. (315)736-8312 DI HIGHWAY SIGN & STRUCTURE CORPORATION		JOB NO. R15-02
REV. DATE:	P.O. BOX 123(40 GREENMAN AVE.) NEW YORK MILLS, N.Y. 13417		