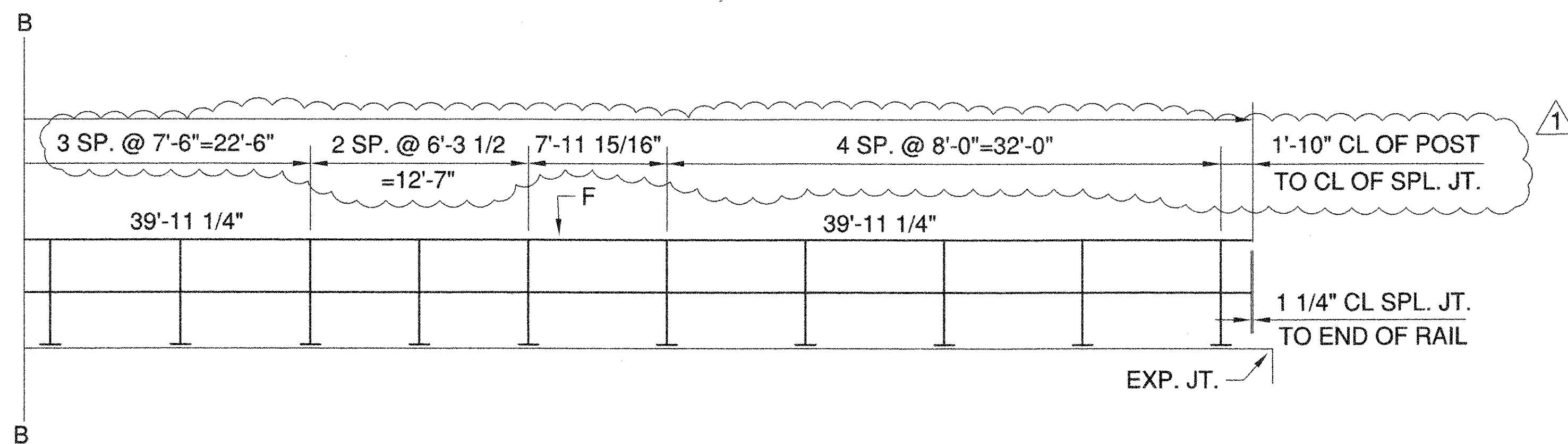
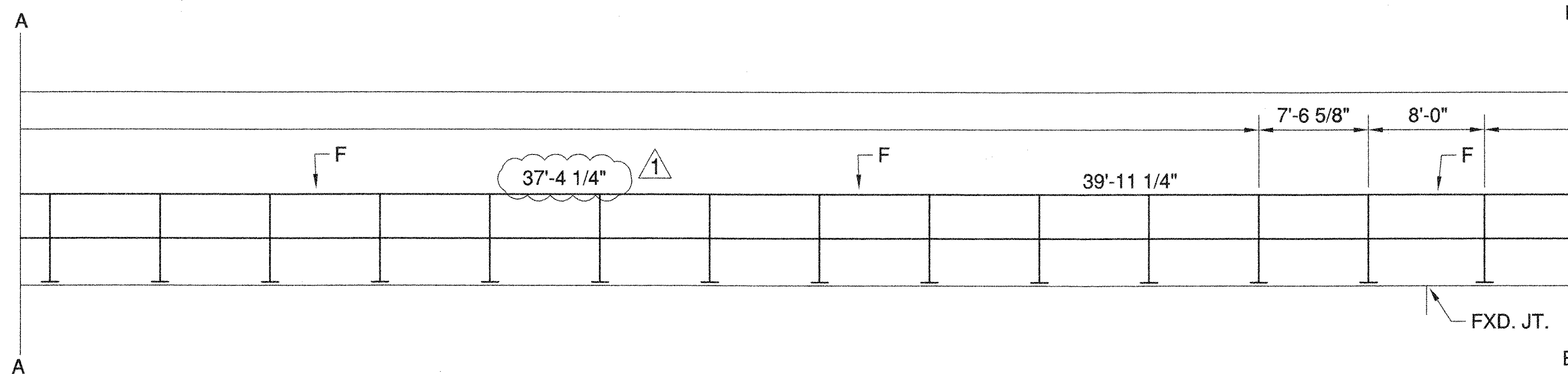


**SOUTH LOOKING SOUTH ELEVATION VIEW
(2 RAIL POSTS W/ANCHORAGE)**

KEY
 F=3/4" FXD. SPL. JT.
 E=2 1/2" EXP. SPL. JT.



RECEIVED
 OK'D BY: *WME* DATE: *05/11/06*
 RESUBMIT BY: _____ APPROVED: *WME* DATE: *05/11/06*

REVISED PER PHONE CONVERSATION W/MARTHA EVANS-MONGEON 3/24/06	DESCRIPTION:	DRAWN BY: THW	DATE 2/6/06	CHECKED BY: DCK	SHEET NO. 2 OF 3
	CONT. NO. BHF010-1(29)	BRIDGE RAILING LAYOUT STATE OF VERMONT AGENCY OF TRANSPORTATION VT. 9(BR. 11) OVER ROARING BRANCH IN THE TOWN OF WOODFORD			
3/24/06	DATE:	GEN. CONT. RENAUD BROTHERS, INC. ERECTOR: RENAUD BROTHERS, INC.			
△	REV. DATE:	FABRICATOR: DI HIGHWAY SIGN & STRUCTURE CORPORATION P.O. BOX 123(40 GREENMAN AVE.) NEW YORK MILLS, N.Y. 13417			
		JOB NO. R15-02			