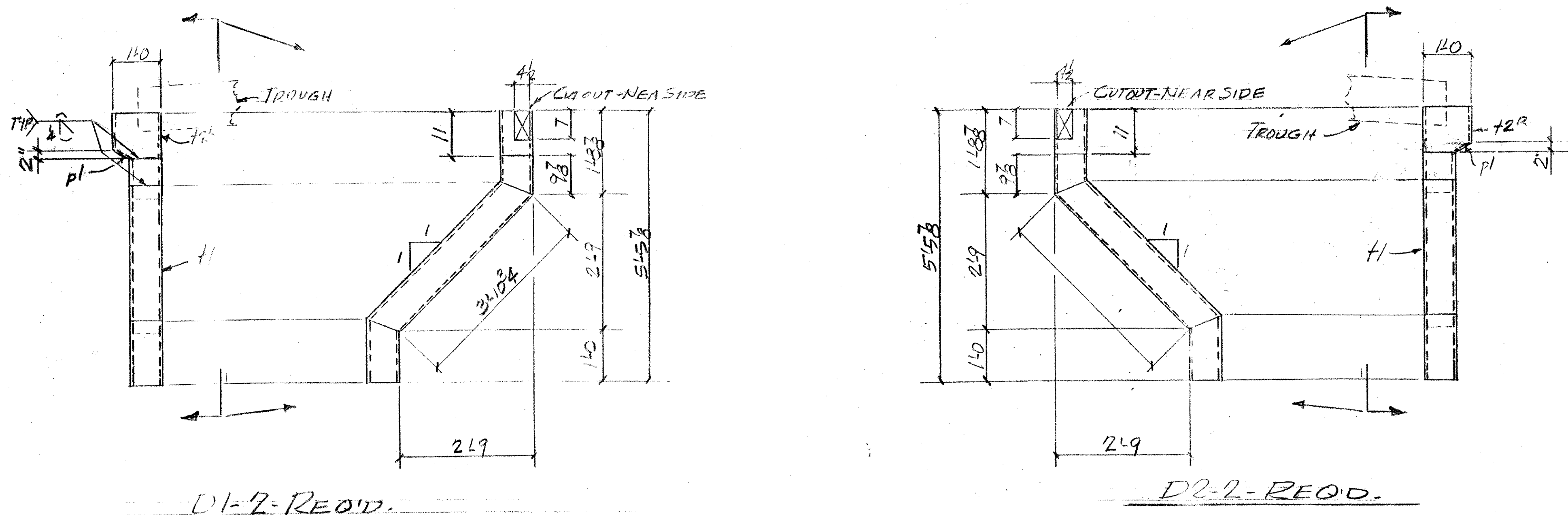
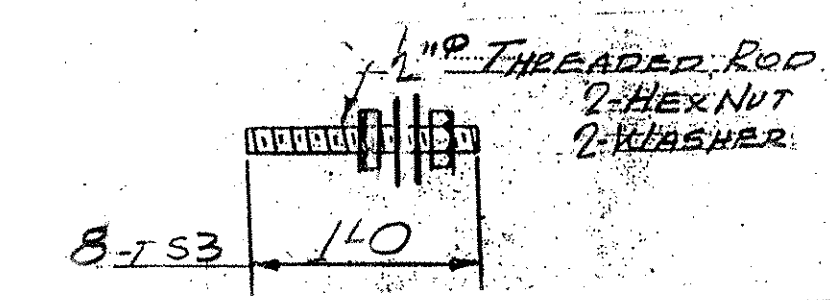
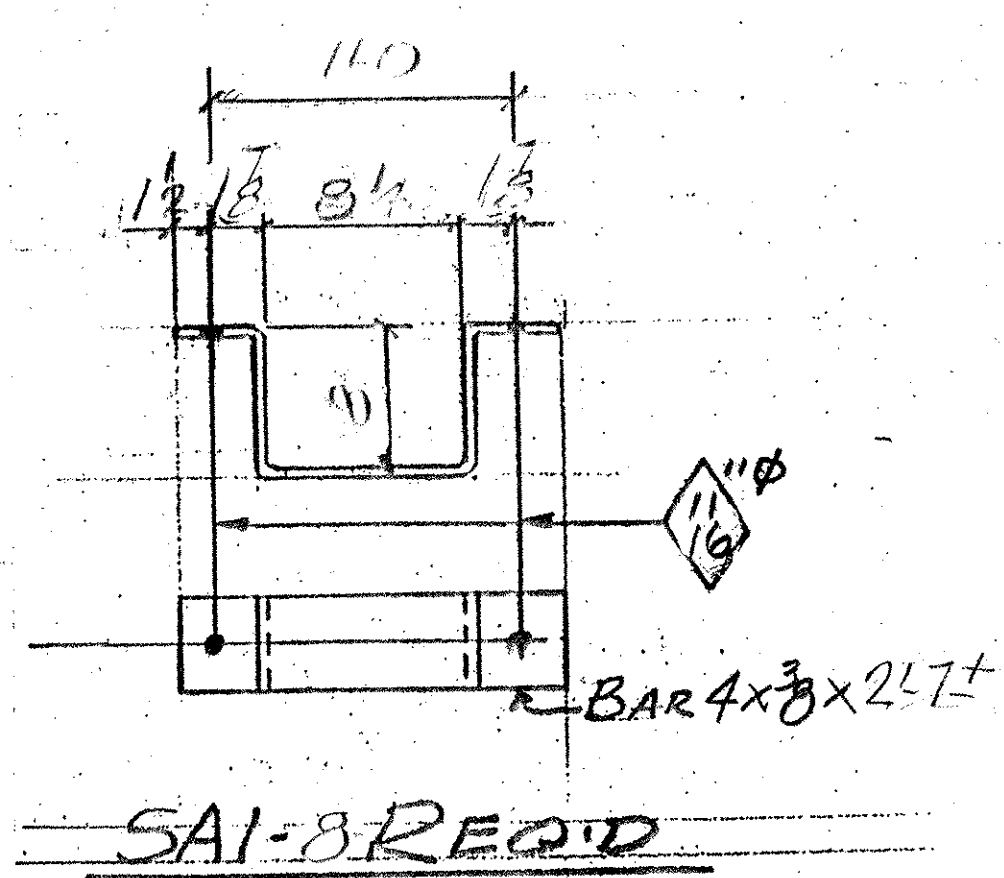
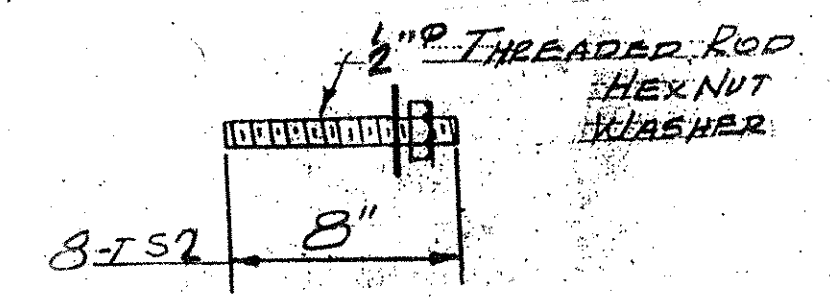
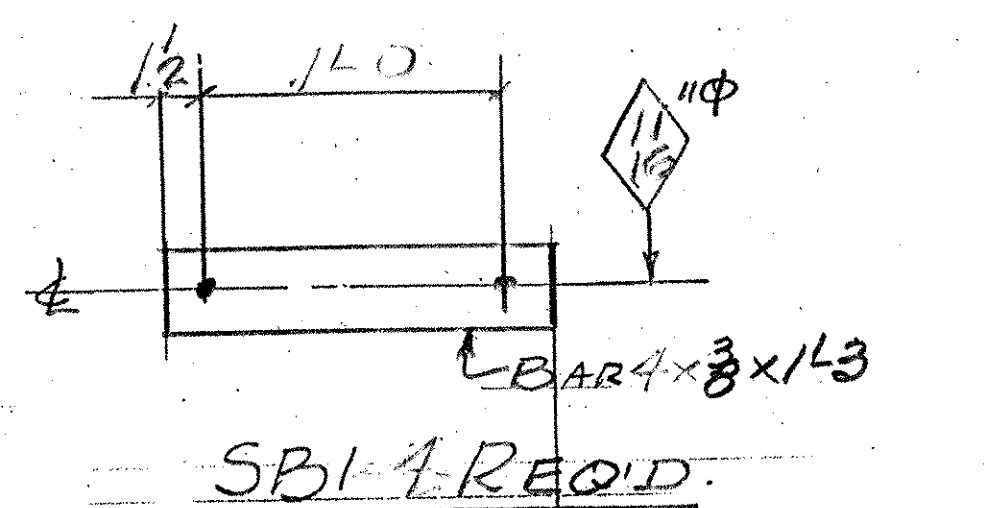


A/M INFO		SHOP BILL				JOB NO. 290	DRG. NO. D1		
PAGE	LINE	NO.	DESCRIPTION	FT	IN	ASSEM MARK	SHIPPING MARK	REMARKS	WEN#
	2		DOWNSPOUT	5	6 $\pm$		D1		
	2		DO	5	6 $\pm$		D2		
		1	TS8x8x4	250	4			A500-62B	
		4	TS12x8x4	11	12 $\pm$			A500-62B	
		4	BAR4x4	8					
	3		BAR4x8	2	7 $\pm$			SA1 BR11	
	4		DO	1	3			SBI	
	8		1/2" THREADED ROD	8				TS2 A307	
	8		DO	1	0			TS2 A307	
	24		1/2" HEX NUTS					FIELD	
	24		1/2" WASHERS					DO	



PAY ITEM 506.55



OUT FOR APPROVAL	8-8-06								
OUT FOR APPROVAL									
ISSUED TO SHOP									
FIELD & OFFICE									

REV.	REMARKS	DATE	DWN	CHK	APP	Q.A.	NO.	DIA.	LGT	TYPE	WASHER
	PROJECT NO. BHF-010-1 (29) STATE PROJECT NO. BR11										
	MATERIAL: AASHTO M27-G-30 ELECTRODES: SEE PROC HOLES AS NOTED SHOP BOLTS:										
	SURFACE PREP. & PAINT:										

GALVANIZED AFTER FAB (ASTM-A123)

DESCRIPTION: DOWNSPOUTS	DRAWN BY	DATE
JOB:	JPK	8-06
VT. 9 OVER ROARING BRANCH	CHKD BY	
OF WALLOOMSAC RIV.	EJ	
WOODFORD, VT.	APPROV BY	
	Q.A.	

CUSTOMER: RENEAUD BROS.	JOB NO.	DRG. NO.
CASCO BAY STEEL STRUCTURES, INC.	290	D1
75 SPRING HILL ROAD SACO, MAINE 04072	PHONE (207) 282-7360	FAX (207) 282-1179
	REV.	△

RECEIVED  
 CHK'D BY Jive OK'D BY Mem  
 AUG 14 2006  
 RESUBMIT APPROVED  
 BY DATE 10/11/06