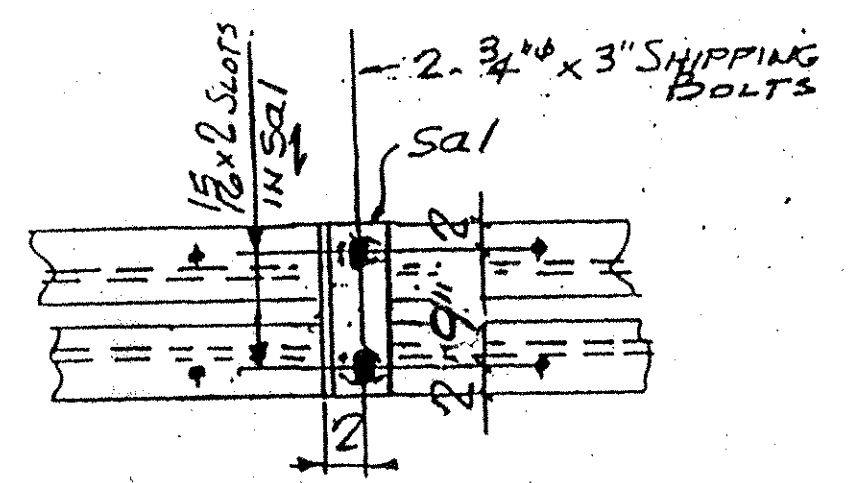
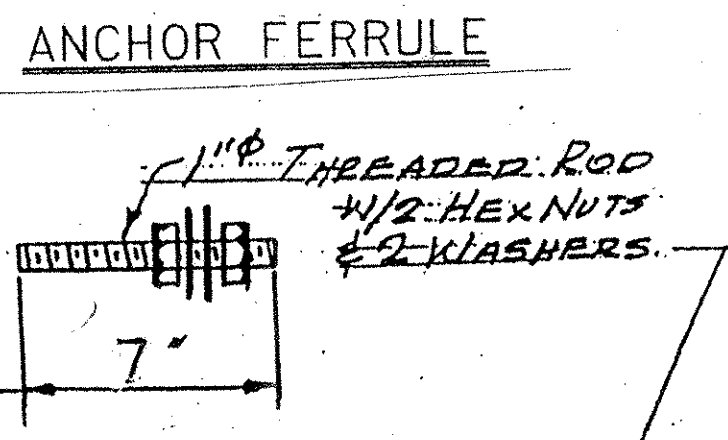


EJ2-ONEREQ'D (ABUT. 2)

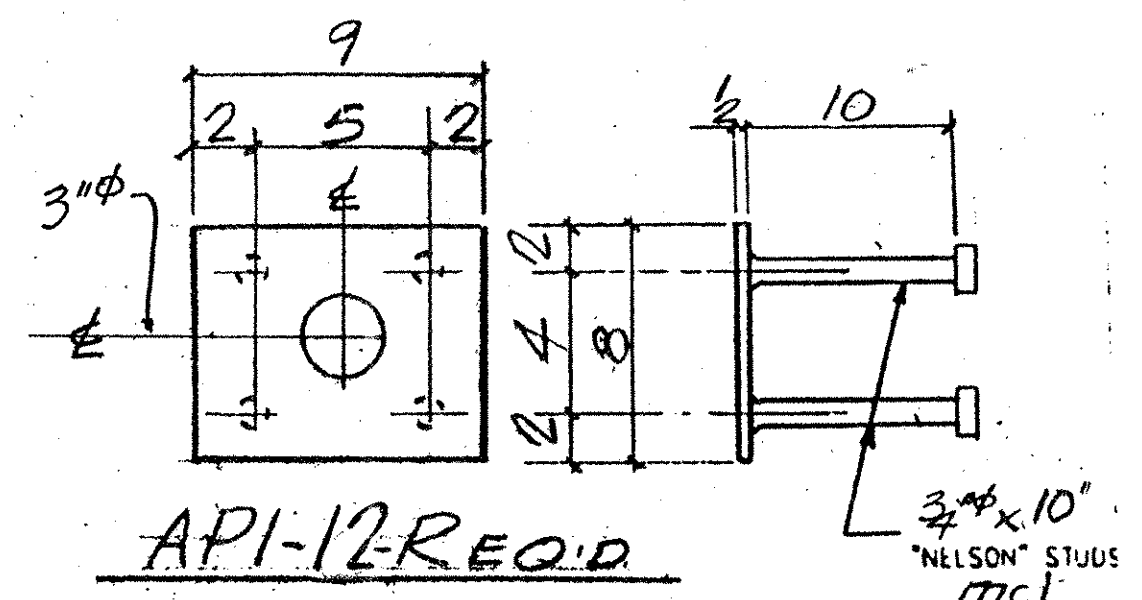
WORK THIS DNG. W/ DNG. J1



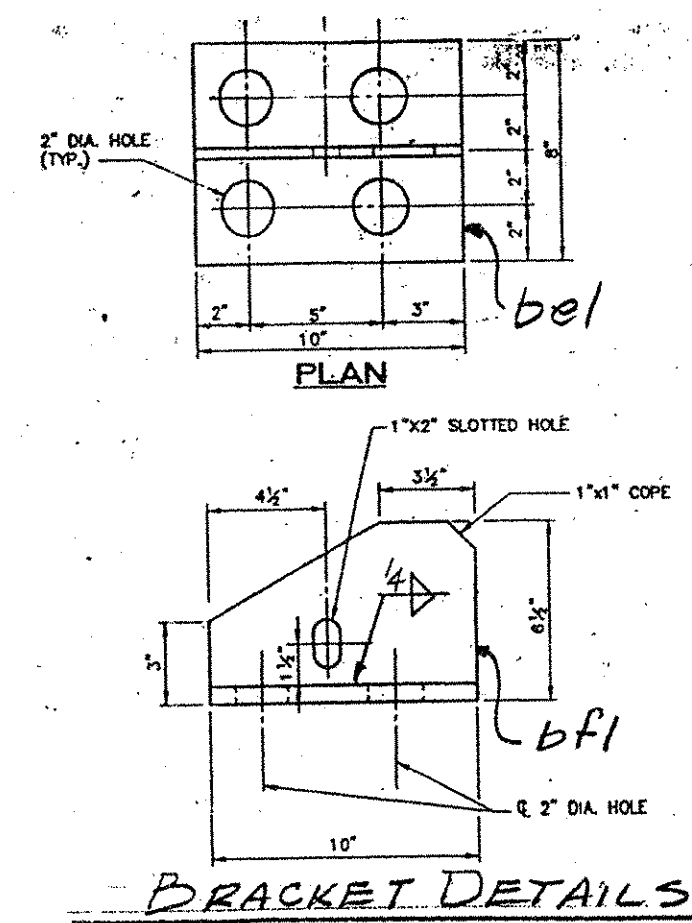
SHIPPING DEVICE
SPACED 5'-0\"/>



WASHER FOR BRACKET
W1



API-12REQ'D
3/4\"/>



BRACKET DETAILS

ADM INFO		SHOP BILL				JOB NO. 290	DRG. NO. J2		
PAGE	LINE	NO.	DESCRIPTION	FT	IN	ASSEM. MARK	SHIPPING MARK	REMARKS	WEIGHT
	1		EXP. INT. ASSY	67	0		EJ2		
	2		L 8x4x2	16	0 1/2				
	2		DO	16	1 1/2				
	2		DO	16	1 1/2				
	2		DO	17	0 1/2				
	2		BAR 5/2x1/4	16	0 1/2				
	2		DO	16	1 1/2				
	2		DO	16	1 1/2				
	2		DO	17	0 1/2				
	12		BAR 8x1/2	10	6 1/2				
	12		BAR 6x1/2	10	6 1/2				
	132		3/4\"/>						
	132		3/4\"/>						
	124		3/4\"/>						
	1		PERFORMED FABR. 56x	68	0 1/2			SPPLY PER SUBMIT 701.07	
	2		BUTYL RUBBER TAPE 1/2x3	68	0 1/2			ASSTG. NITR. TYPE B	
48			1\"/>						
96			1\"/>						
96			1\"/>						
6			1\"/>						
24			3/4\"/>						
14			L 4x4x2	1	1				
28			3/4\"/>						

PAY ITEM 516.10

OUT FOR APPROVAL	8-8-06										
OUT FOR APPROVAL FINAL	10-6-06										
ISSUED TO SHOP											
FIELD & OFFICE											
REV.	REMARKS	DATE	DWN	CHK	APP	Q.A.	NO.	DIA.	LGT	TYPE	WASHER
	PROJECT NO. BHE-D10-1 (29) STATE PROJECT NO. BR11										
	MATERIAL: A513 TO A517 ELECTRODES: SEE PROC. HOLES: AS NOTED SHOP BOLTS: 5/8\"/>										
	SURFACE PREP. & PAINT: GALVANIZE AFTER FAB (ASTM-A123)										
	DESCRIPTION: EXP. JOINT - ABUT. 2										
	JOB: VT. 9 OVER ROARING BRANCH OF WILLOOMSAC RIV. WOODFORD, VT.										
	CUSTOMER: RENAUD BROS.										
	CASCO BAY STEEL STRUCTURES, INC.										
	75 SPRING HILL ROAD SACO, MAINE 04072										
	PHONE (207) 282-7360 FAX (207) 282-1179										
	JOB NO. 290										
	DRG. NO. J2										
	REV. A										

RECEIVED
OCT 11 2006
RESUBMIT APPROVED
DATE 10/12/06