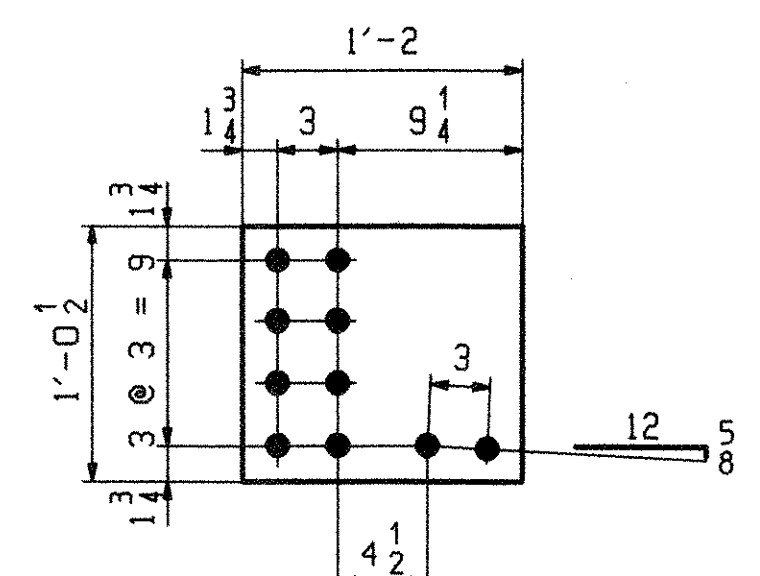
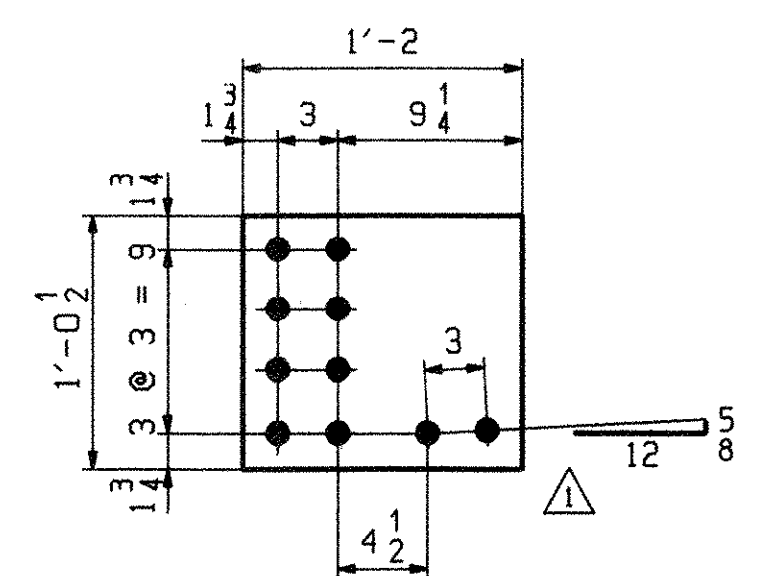


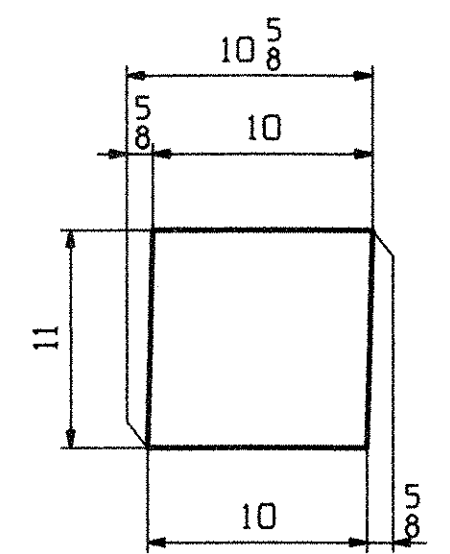
16 ~ INT CROSSFRAME - 25CF1
 PAINTED { 2 ~ INT CROSSFRAME - 25CF1P
 SHOP NOTE:
 BOLT/WIRE BOTTOM STRUT FOR SHIPPING



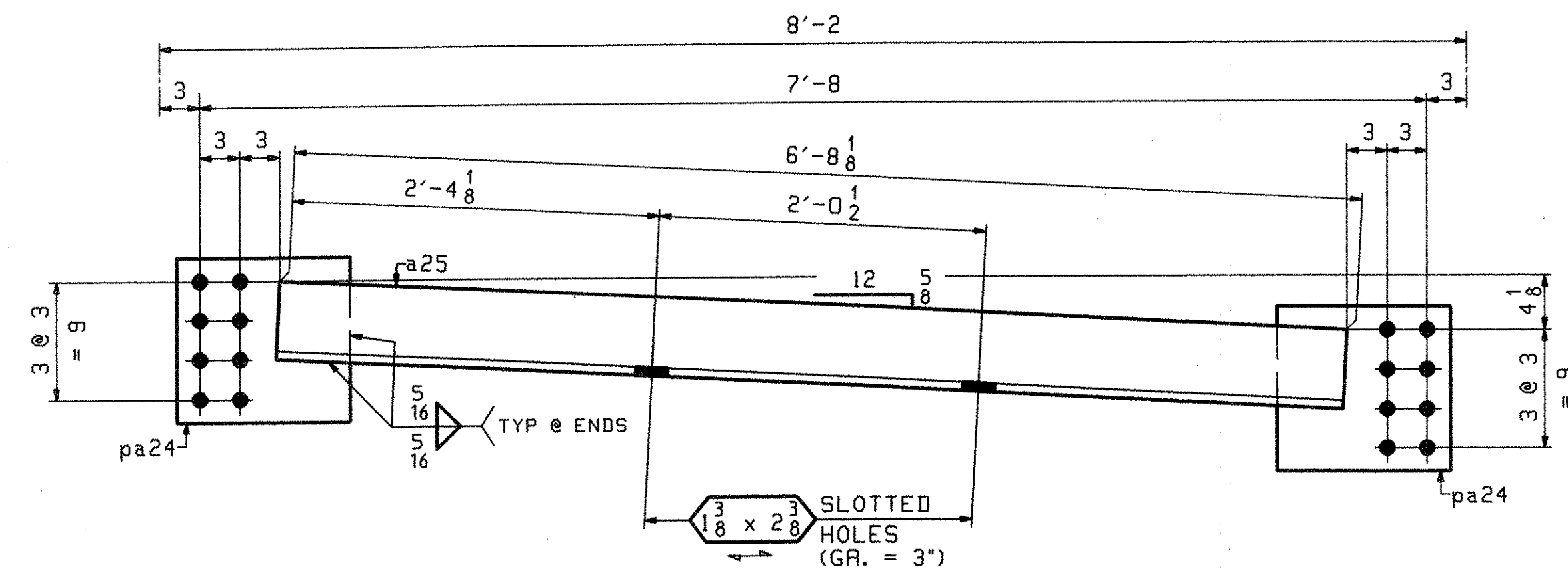
DETAIL - pa25
 18 REQ'D



DETAIL - pb25
 18 REQ'D



DETAIL - pc25
 36 REQ'D



16 ~ UTILITY SUPPORT - 25D1
 PAINTED { 1 ~ UTILITY SUPPORT - 25D1P

ABM INFO		SHIP				BILL OF MATERIAL			JOB NO.	DRAWING NO.	REV.
PAGE	LINE	MARK	QTY	MARK	MATERIAL	LENGTH	REMARKS	WT	290	25	△
						FT INCHES					
					INT CROSSFRAME						437
					INT CROSSFRAME		PAINTED				437
2	S		18	a25	L 6x6x 5/8	6 8 5/8					
2	T		18	b25	L 3x3x 1/2	6 8 5/8					
2	U		18	c25	L 4x4x 1/2	3 2 5/8					
2	U		18	d25	L 4x4x 1/2	3 4 1/4					
2	W		36	pa24	PL 1/2x12 1/2	1 1					
2	X		18	pa25	PL 1/2x12 1/2	1 2					
2	X		18	pb25	PL 1/2x12 1/2	1 2					
2	V		36	pc25	PL 1/2x11	0 10 5/8					
					UTILITY SUPPORT						208
					UTILITY SUPPORT		PAINTED				208
2	S		17	a25	L 6x6x 5/8	6 8 5/8					
2	W		34	pa24	PL 1/2x12 1/2	1 1					

OUT FOR APPROVAL	Final 7-17-06										
OUT FOR APPROVAL											
ISSUED TO SHOP											
FIELD & OFFICE											
△ REV pb25 DETAIL	07/10	JTB	PCP								
REV. REMARKS	DATE	DWN	CHK	APP	Q.A.	NO.	DIA.	LGT	TYPE	WASHER	
MATERIAL:											
M270-50W (UN)											NONE
ELECTRODES:		HOLES:		SHOP BOLTS:							
		15 16		NONE							
SURFACE PREP. & PAINT:											
SEE DRAWING GN1											
DESCRIPTION: INT CROSSFRAMES										DRAWN BY	DATE
JOB: RTE 9 OVER ROARING BRANCH OF WALLLOOMSAC RIVER										JTB	02/26
BRIDGE No. BR 11										CHKD BY	
WOODFORD, VT. BENNINGTON COUNTY										PCP	03/06
TENSOR 2608										APPROV BY	
PROJ NO. BHF 010-1(29)										Q.A.	
CUSTOMER: RENAUD BROTHERS, INC.											
CASCO BAY STEEL STRUCTURES, INC.										JOB NO.	DRG. NO.
75 SPRING HILL ROAD SACO, MAINE 04072										290	25
PHONE (207) 282-7360 FAX. (207) 282-1179										REV.	△

RECEIVED
 OK'D BY: [Signature]
 JUL 26 2006
 RESUBMIT APPROVED [Signature]
 BY DATE 7/28/06

PCP The Jul 13 11:56:33 EDT 2006 c:\msdcs\share\2608\25 1 Rev1