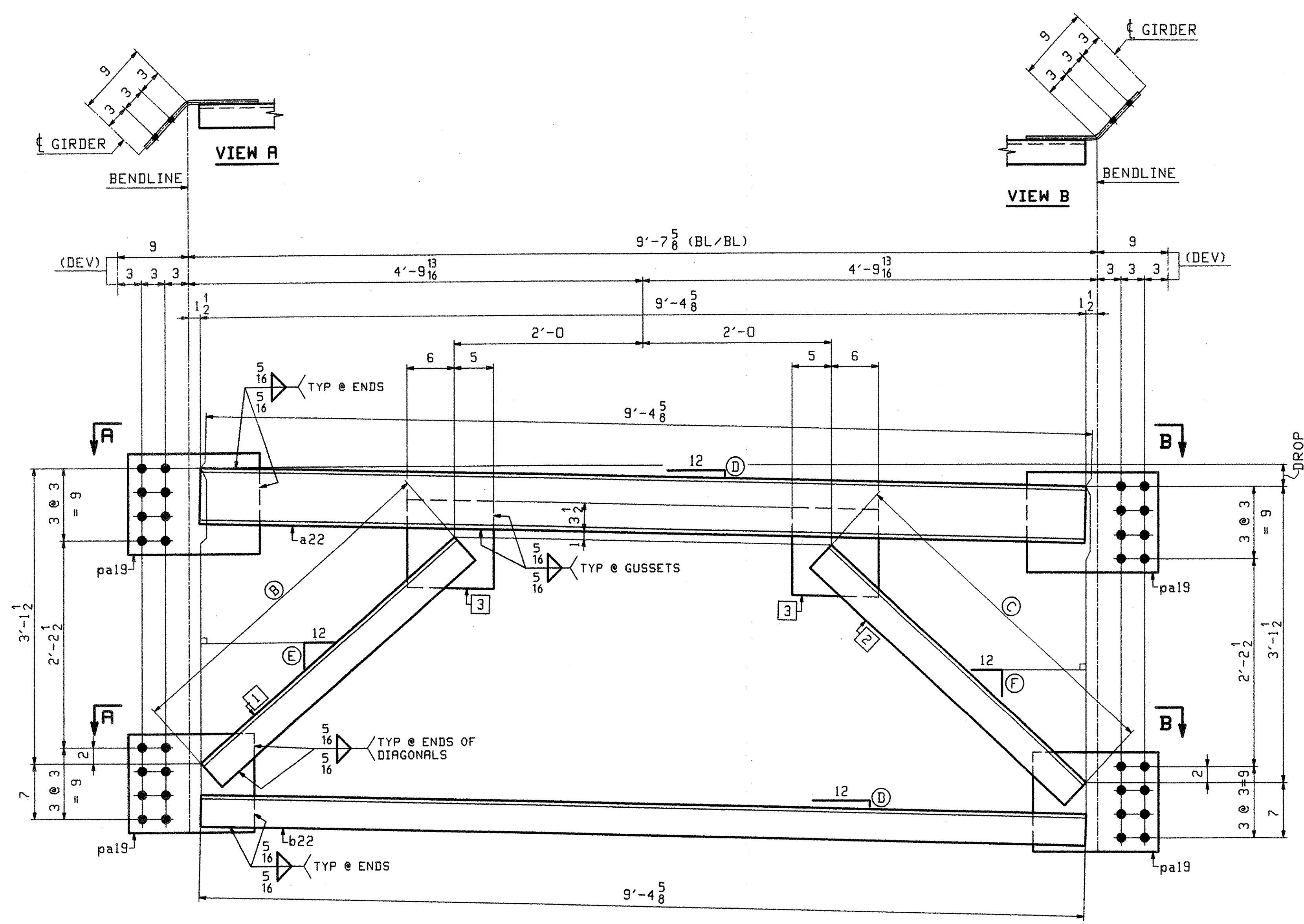


ABM INFO		BILL OF MATERIAL				JOB NO.	DRAWING NO.	REV.	
PAGE	LINE	MARK	QTY	MARK	MATERIAL	LENGTH FT INCHES	REMARKS	WT	PROCUREMENT NOTES
		22CF1	2		END CROSSFRAME			578	
3	A	2	a22	MC 8x22.8	9' 4 5/8"				
3	C	2	b22	L 4x4x 1/2	9' 4 5/8"				
3	D	2	c22	L 4x4x 1/2	3' 6 1/8"				
3	D	2	d22	L 4x4x 1/2	3' 7 3/8"				
3	F	8	pa19	PL 1/2x12 1/2	1' 4 5/8"		BENT		
3	E	4	pa22	PL 1/2x11	0' 11 1/8"				
		22CF2	1		END CROSSFRAME			578	
3	A	1	a22	MC 8x22.8	9' 4 5/8"				
3	C	1	b22	L 4x4x 1/2	9' 4 5/8"				
3	D	1	f22	L 4x4x 1/2	3' 7"				
3	D	1	g22	L 4x4x 1/2	3' 7 1/8"				
3	F	4	pa19	PL 1/2x12 1/2	1' 4 5/8"		BENT		
3	E	2	pb22	PL 1/2x11	0' 11 1/8"				
		22CF3	1		END CROSSFRAME			577	
3	A	1	a22	MC 8x22.8	9' 4 5/8"				
3	C	1	b22	L 4x4x 1/2	9' 4 5/8"				
3	D	2	k22	L 4x4x 1/2	3' 7 1/8"				
3	F	4	pa19	PL 1/2x12 1/2	1' 4 5/8"		BENT		
3	E	2	pc22	PL 1/2x11	0' 11"				



BRG CROSSFRAME - MARK "A"

MARK "A"	QTY	DROP	(B) Δ	(C) Δ	(D)	(E) Δ	(F) Δ	(G)	(1)	(2)	(3)
22CF1	2	3/8	3'-8 13/16	3'-7 3/8	1/8	10 7/16	10 3/4	11 1/8	c22	d22	pa22
22CF2	1	9/16	3'-7	3'-7 3/16	1/16	10 1/2	10 5/8	11 1/16	f22	g22	pb22
22CF3	1	1/16	3'-7 1/16	3'-7 1/16	0	10 9/16	10 9/16	11	k22	k22	pc22

ABUT 2 LINES 2-3
PIER 2 LINES 3-4

ABUT 1 LINES 2-3

PIER 1 LINES 2-3

OUT FOR APPROVAL *Franz 7-17-06*

OUT FOR APPROVAL

ISSUED TO SHOP

FIELD & OFFICE

CHG MC7x22.7 TO MC8x22.8 07/10 JTB PCP

REV.	REMARKS	DATE	DWN	CHK	APP	Q.A.	NO.	DIA.	LGT	TYPE	WASHER
	MATERIAL: M270-50W (UN)										
	ELECTRODES:										
	HOLES: 15/16" φ										
	SHOP BOLTS: NONE										

SURFACE PREP. & PAINT:

PAINTED - SEE DRAWING GNI

DESCRIPTION: CROSSFRAMES

JOB: RTE 9 OVER ROARING BRANCH OF WALLLOOMSAC RIVER

BRIDGE No. BR 11

WOODFORD, VT. BENNINGTON COUNTY

PROJ NO. BHF 010-1(29)

CUSTOMER: RENAUD BROTHERS, INC.

RECEIVED
OK'D BY *MEM*
JUL 26 2006
APPROVED
DATE *7/28/06*

DRAWN BY	DATE	CHKD BY	DATE
JTB	02/26	PCP	03/06
M. J. GATTI			

JOB NO. 290

DRG. NO. 22

PHONE (207) 282-7360 FAX. (207) 282-1179

REVISIONS