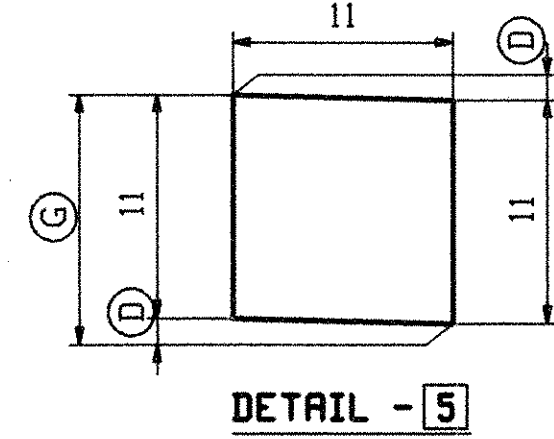


BRG CROSSFRAME - MARK "A"

MARK "A"	QTY	DROP	(A)	(B)	(C)	(D)	(E)	(F)	(G)	(1)	(2)	(3)	(4)	(5)	
21CF1	1	7	9'-4 7/8	3'-5 3/4	3'-8 7/16	3/4	9 13/16	11 5/16	11 3/4	a21	b21	c21	d21	pa21	ABUT 1 LINES 5-5
21CF2	1	6 7/16	9'-4 13/16	3'-5 7/8	3'-8 5/16	11/16	9 7/8	11 1/4	11 11/16	f21	g21	k21	m21	pb21	PIER 1 LINES 5-6
21CF3	1	5 11/16	9'-4 13/16	3'-6	3'-8 3/16	5/8	9 15/16	11 3/16	11 5/8	f21	g21	n21	p21	pc21	PIER 2 LINES 5-6
21CF4	1	4 15/16	9'-4 3/4	3'-6 3/16	3'-8 1/16	1/2	10 1/16	11 1/8	11 1/2	t21	v21	w21	y21	pd21	ABUT 1 LINES 4-5
21CF5	1	4 7/16	9'-4 3/4	3'-6 1/4	3'-7 15/16	1/2	10 1/8	11 1/16	11 1/2	t21	v21	aa21	ab21	pd21	PIER 1 LINES 4-5
21CF6	1	3 11/16	9'-4 11/16	3'-6 3/8	3'-7 13/16	3/8	10 3/16	11	11 3/8	ac21	ad21	af21	ag21	pf21	PIER 2 LINES 4-5
21CF7	1	2 3/4	9'-4 11/16	3'-6 9/16	3'-7 5/8	5/16	10 5/16	10 7/8	11 5/16	ac21	ad21	ak21	am21	pg21	ABUT 1 LINES 3-4
21CF8	1	2 1/4	9'-4 11/16	3'-6 1/16	3'-7 1/2	1/4	10 5/16	10 13/16	11 1/4	ac21	ad21	an21	ap21	pk21	PIER 1 LINES 3-4

ABM INFO	SHIP	BILL OF MATERIAL		JOB NO.	DRAWING NO.	REV.			
PAGE	LINE	MARK	QTY	MARK	MATERIAL	LENGTH	REMARKS	WT	PROCUREMENT NOTES
						FT			
					END CROSSFRAME			579	
3	A	1	t21	MC	8x22.8	9 4 3/4			
3	C	1	v21	L	4x4x 1/2	9 4 3/4			
3	D	1	aa21	L	4x4x 1/2	3 6 1/4			
3	D	1	ab21	L	4x4x 1/2	3 7 15/16			
3	F	4	pa19	PL	1/2x12 1/2	1 4 5/8	BENT		
3	E	2	pd21	PL	1/2x11	0 11 1/2			

ABM INFO	SHIP	BILL OF MATERIAL		JOB NO.	DRAWING NO.	REV.			
PAGE	LINE	MARK	QTY	MARK	MATERIAL	LENGTH	REMARKS	WT	PROCUREMENT NOTES
						FT			
					END CROSSFRAME			581	
3	A	1	a21	MC	8x22.8	9 4 3/4			
3	C	1	b21	L	4x4x 1/2	9 4 3/4			
3	D	1	c21	L	4x4x 1/2	3 5 3/4			
3	D	1	d21	L	4x4x 1/2	3 8 7/16			
3	F	4	pa19	PL	1/2x12 1/2	1 4 5/8	BENT		
3	E	2	pa21	PL	1/2x11	0 11 1/2			



RECEIVED
 OK'D BY: [Signature]
 JUL 26 2006
 RESUBMIT BY: [Signature]
 APPROVED: [Signature]
 DATE: 7/23/06

OUT FOR APPROVAL	7/17/06																		
OUT FOR APPROVAL																			
ISSUED TO SHOP																			
FIELD & OFFICE																			
REV. REMARKS	DATE	DWN	CHK	APP	Q.A.	NO.	DIA.	LGT	TYPE	WASHER									
MATERIAL:																			
M270-50W (UN)																			
SURFACE PREP. & PAINT:																			
PAINTED - SEE DRAWING GNI																			
DESCRIPTION:	CROSSFRAMES										DRAWN BY	DATE							
JOB:	RTE 9 OVER ROARING BRANCH OF WALLOOMSAC RIVER										JTB	02/26							
	BRIDGE No. BR 11										CHKD BY								
	WOODFORD, VT. BENNINGTON COUNTY										PCP	03/06							
											APPROV BY								
											SUPERVISOR	W. J. GATTI							
PROJ NO.	BHF 010-1(29)										Q.A.								
CUSTOMER:	RENAUD BROTHERS, INC.																		
CASCO BAY STEEL STRUCTURES, INC.										JOB NO.	DRG. NO.								
75 SPRING HILL ROAD										290	21								
PHONE (207) 282-7360										SACO, MAINE 04072									
										FAX. (207) 282-1179	REV. (A)								