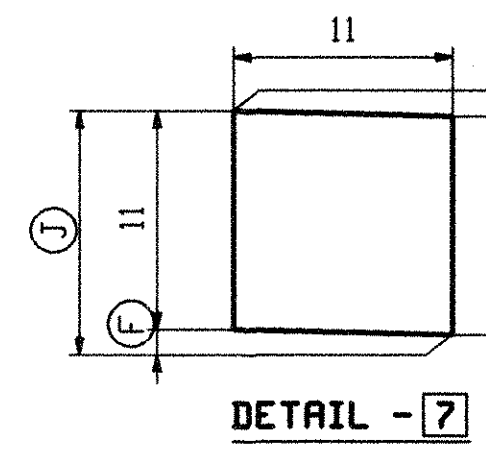
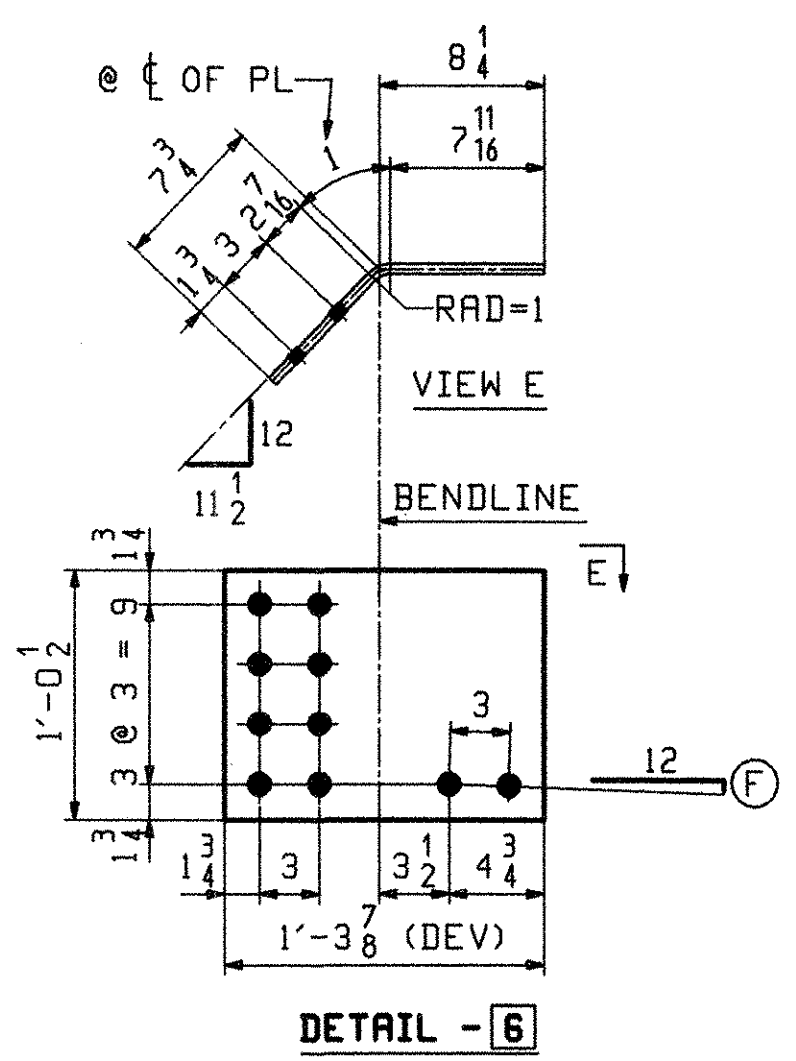
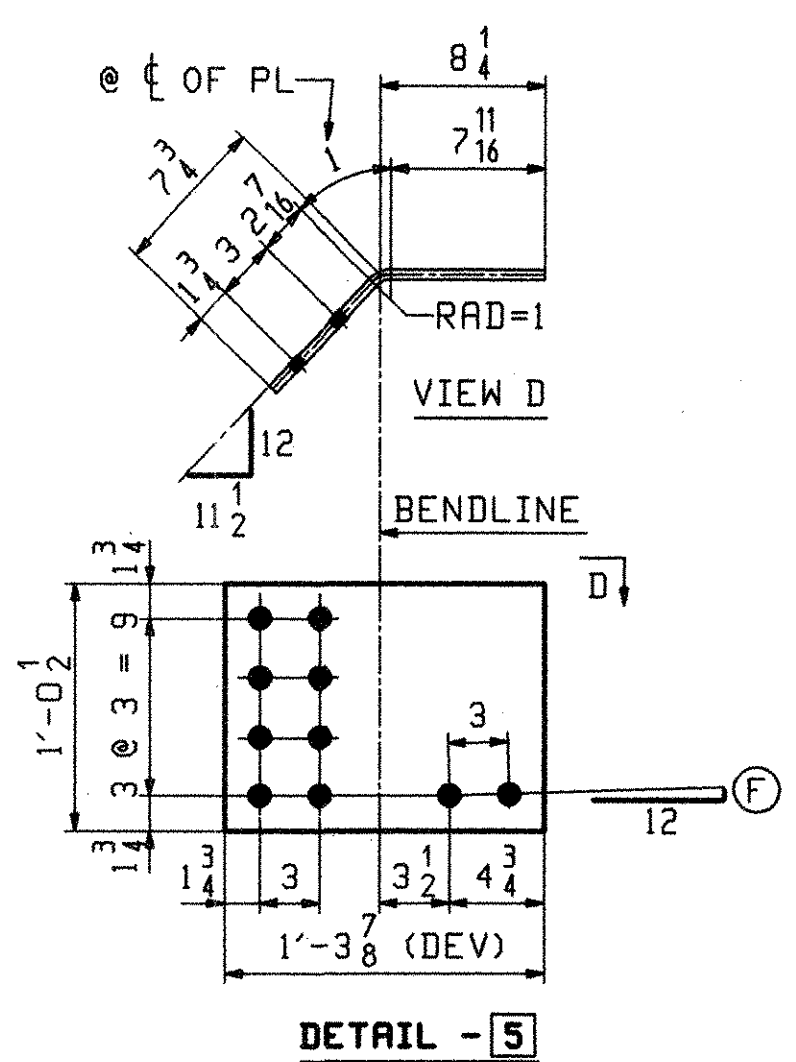


**BRG CROSSFRAME - MARK "A"**

SHOP NOTE:  
BOLT/WIRE BOTTOM STRUT FOR SHIPPING

MARK "A"	QTY	DROP	(A)	(B)	(C)	(D)	(E)	(F)	(G)	(H)	(J)	(1)	(2)	(3)	(4)	(5)	(6)	(7)
20CF1	1	2 3/4	9'-4 11/16	9'-4 3/16	9'-0 11/16	3'-7 7/8	3'-9	5/16	11 1/16	11 5/8	11 5/16	a20	b20	c20	d20	pa20	pb20	pc20
20CF2	1	2	9'-4 5/8	9'-4 1/8	9'-0 5/8	3'-8 1/8	3'-8 13/16	3/16	11 1/8	11 9/16	11 3/16	f20	g20	k20	m20	pd20	pf20	pg20
20CF3	1	1 7/16	9'-4 5/8	9'-4 1/8	9'-0 5/8	3'-8 1/8	3'-8 3/4	1/8	11 3/16	11 1/2	11 1/8	f20	g20	n20	p20	pk20	pm20	pn20

PIER 2 LINES 1-2  
PIER 1 LINES 1-2  
ABUT 1 LINES 1-2



ABM INFO		SHIP	BILL OF MATERIAL				JOB NO.	DRAWING NO.	REV.
PAGE	LINE	MARK	QTY	MARK	MATERIAL	LENGTH FT INCHES	290	20	
							REMARKS	WT	PROCUREMENT NOTES
		20CF1	1		END CROSSFRAME				560
3	G	1	a20	L	6x6x 5/8	9 4 1/8			
3	B	1	b20	L	3x3x 1/2	9 4 1/8			
3	D	1	c20	L	4x4x 1/2	3 7 3/4			
3	D	1	d20	L	4x4x 1/2	3 9			
3	F	2	pa19	PL	1/2x12 1/2	1 4 5/8			BENT
3	F	1	pb20	PL	1/2x12 1/2	1 3 3/4			BENT
3	F	1	pd20	PL	1/2x12 1/2	1 3 3/4			BENT
3	E	2	pc20	PL	1/2x11	0 11 5/8			
		20CF2	1		END CROSSFRAME				559
3	G	1	f20	L	6x6x 5/8	9 4 5/8			
3	B	1	g20	L	3x3x 1/2	9 4 1/8			
3	D	1	k20	L	4x4x 1/2	3 8 1/8			
3	D	1	m20	L	4x4x 1/2	3 8 1/8			
3	F	2	pa19	PL	1/2x12 1/2	1 4 5/8			BENT
3	F	1	pd20	PL	1/2x12 1/2	1 3 3/4			BENT
3	F	1	pf20	PL	1/2x12 1/2	1 3 3/4			BENT
3	E	2	pg20	PL	1/2x11	0 11 5/8			
		20CF3	1		END CROSSFRAME				559
3	G	1	f20	L	6x6x 5/8	9 4 5/8			
3	B	1	g20	L	3x3x 1/2	9 4 1/8			
3	D	1	n20	L	4x4x 1/2	3 8 1/8			
3	D	1	p20	L	4x4x 1/2	3 8 1/8			
3	F	2	pa19	PL	1/2x12 1/2	1 4 5/8			BENT
3	F	1	pk20	PL	1/2x12 1/2	1 3 3/4			BENT
3	F	1	pm20	PL	1/2x12 1/2	1 3 3/4			BENT
3	E	2	pn20	PL	1/2x11	0 11 5/8			

OUT FOR APPROVAL *Final 7/27/06*

OUT FOR APPROVAL

ISSUED TO SHOP

FIELD & OFFICE

REV.	REMARKS	DATE	DWN	CHK	APP	Q.A.	NO.	DIA.	LGT	TYPE	WASHER

MATERIAL: M270-50W (UN)

ELECTRODES:

HOLES: 15/16" φ

SHOP BOLTS: NONE

SURFACE PREP. & PAINT: PAINTED - SEE DRAWING GNI

DESCRIPTION:	CROSSFRAMES	DRAWN BY	DATE
JOB:	RTE 9 OVER ROARING BRANCH OF WALLOOMSAC RIVER BRIDGE No. BR 11	JTB	02/26
	WOODFORD, VT. BENNINGTON COUNTY	CHKD BY	
		PCP	03/06
		APPROV BY	
		SUPERVISOR	W. J. GATTI

PROJ NO. BHF 010-1(29)

CUSTOMER: RENAUD BROTHERS, INC.

Q.A.

**CASCO BAY STEEL STRUCTURES, INC.**

75 SPRING HILL ROAD SACO, MAINE 04072

PHONE (207) 282-7360 FAX. (207) 282-1179

JOB NO. 290

DRG. NO. 20

REV.

RECEIVED  
OK'D BY: *MGM*  
JUL 26 2006  
RESUBMIT BY: *[Signature]*  
APPROVED BY: *[Signature]*  
DATE: 7/28/06