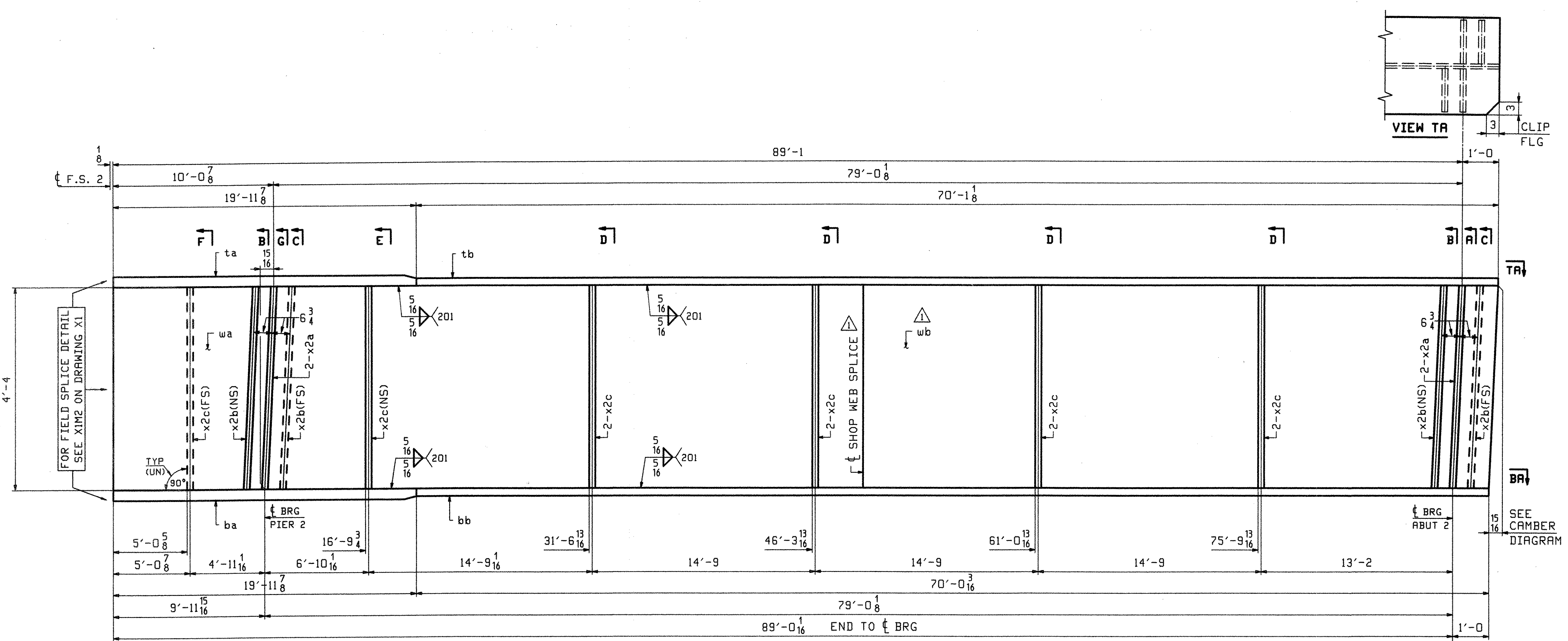
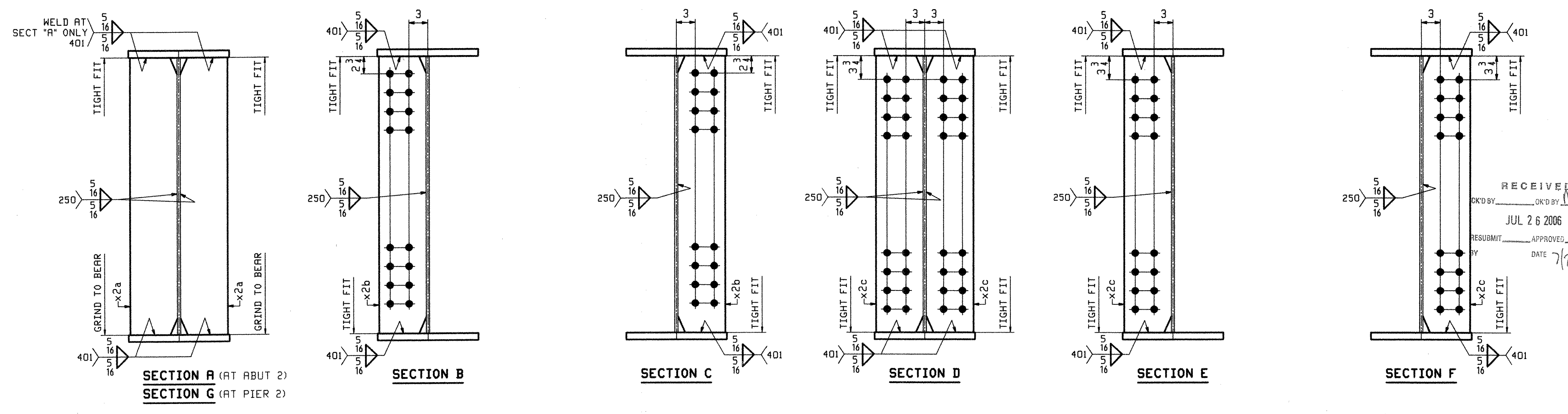
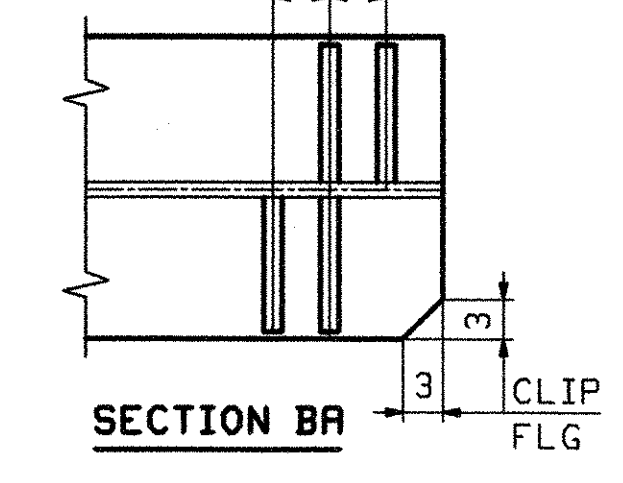
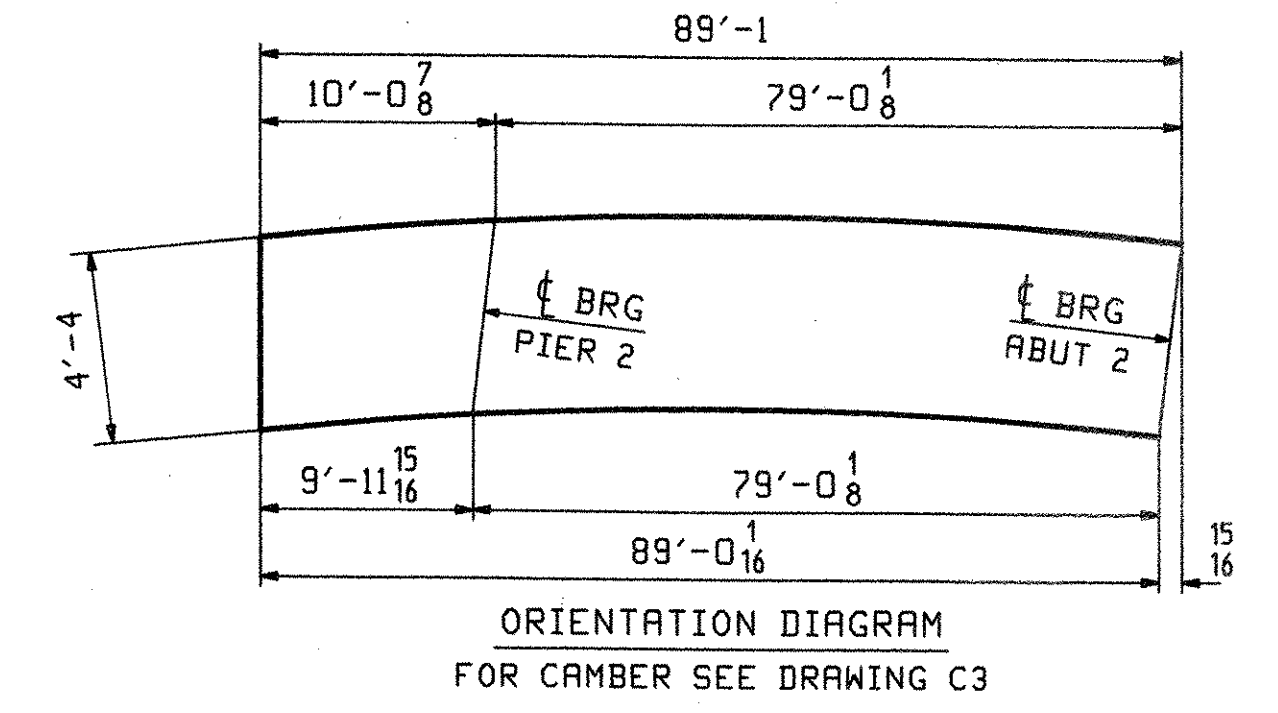


ABM INFO		SHIP		BILL OF MATERIAL			JOB NO.	DRAWING NO.	REV.
PAGE	LINE	MARK	QTY	MARK	MATERIAL	LENGTH FT INCHES	REMARKS	WT	PROCUREMENT NOTES
					17G5C				
			1		GIRDER			17983	
1	J		1	wa	PL 2x52	47 6	(M270-50WT2) (H2-3)		⚠
1	U		1	wb	PL 2x52	42 7 8	(M270-50WT2) (H2-3)		⚠
1	A		1	ta	PL 1x16	19 11 7 8	(M270-50WT2) (H2-3)		
1	C		1	tb	PL 7 8x16	70 1 8	(M270-50WT2) (H2-3)		
1	A		1	ba	PL 1x16	19 11 7 8	(M270-50WT2) (H2-3)		
1	C		1	bb	PL 7 8x16	70 0 1 8	(M270-50WT2) (H2-3)		
2	H		4	x2a	PL 7 8x7 2	4 4	MIF		
2	J		4	x2b	PL 2x7 2	4 4			
2	J		10	x2c	PL 2x7 2	4 4			



ONE - GIRDER - 17G5C
 FOR FIELD SPLICE DETAILS SEE DRAWING X1.
 FOR GIRDER STANDARD DETAILS SEE DRAWING X2.
 FOR CAMBER & FLANGE DIAGRAMS SEE DRAWING C3.
 FOR GENERAL NOTES SEE DRAWING GNI.
 H2-3 DENOTES MATERIAL SUBJECT TO CHARRPY V-NOTCH TESTING.



OUT FOR APPROVAL	Final 7/26/06								
OUT FOR APPROVAL									
ISSUED TO SHOP									
FIELD & OFFICE									
ADD WEB SPLICE	JTB	PCP							
REV. REMARKS	DATE	DWN	CHK	APP	Q.A.	NO.	DIA.	LGT	TYPE
MATERIAL:	M270-50W (UN)	ELECTRODES:							SHOP BOLTS:
									NONE
SURFACE PREP. & PAINT:									
SEE DRAWING GNI									
DESCRIPTION:	GIRDER - 17G5C							DRAWN BY	DATE
JOB:	RTE 9 OVER ROARING BRANCH OF WALLOOMSAC RIVER							JTB	02/22
	BRIDGE No. BR 11							CHKD BY	
	WOODFORD, VT. BENNINGTON COUNTY							PCP	03/06
								APPROV BY	
								SUPERVISOR	M. J. GATTI
PROJ NO.	BHF 010-1(29)							Q.A.	
CUSTOMER: RENAUD BROTHERS, INC.									
CASCO BAY STEEL STRUCTURES, INC.									
75 SPRING HILL ROAD SACO, MAINE 04072									
PHONE (207) 282-7360 FAX. (207) 282-1179									
JOB NO.	290							DRG. NO.	17
								REV.	⚠

PCP Rev 27 03/02/05 EST 2006