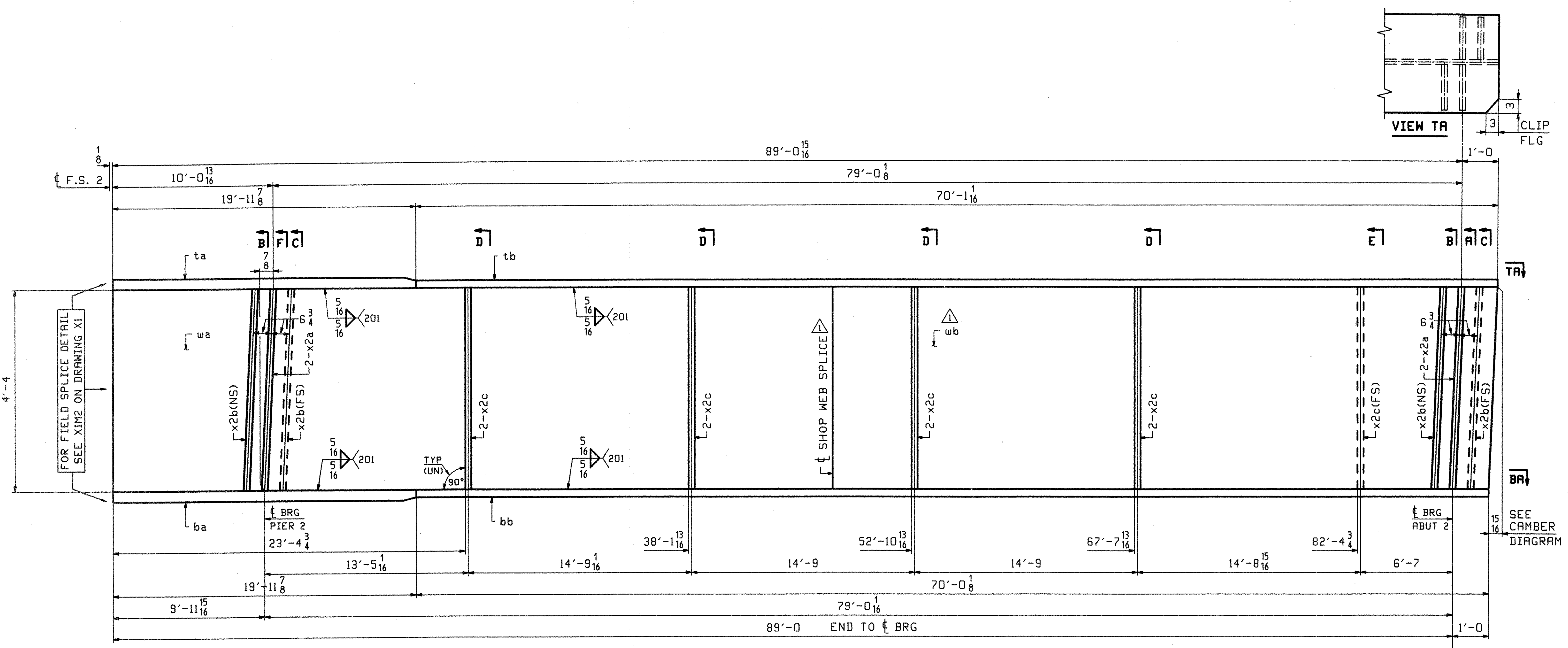
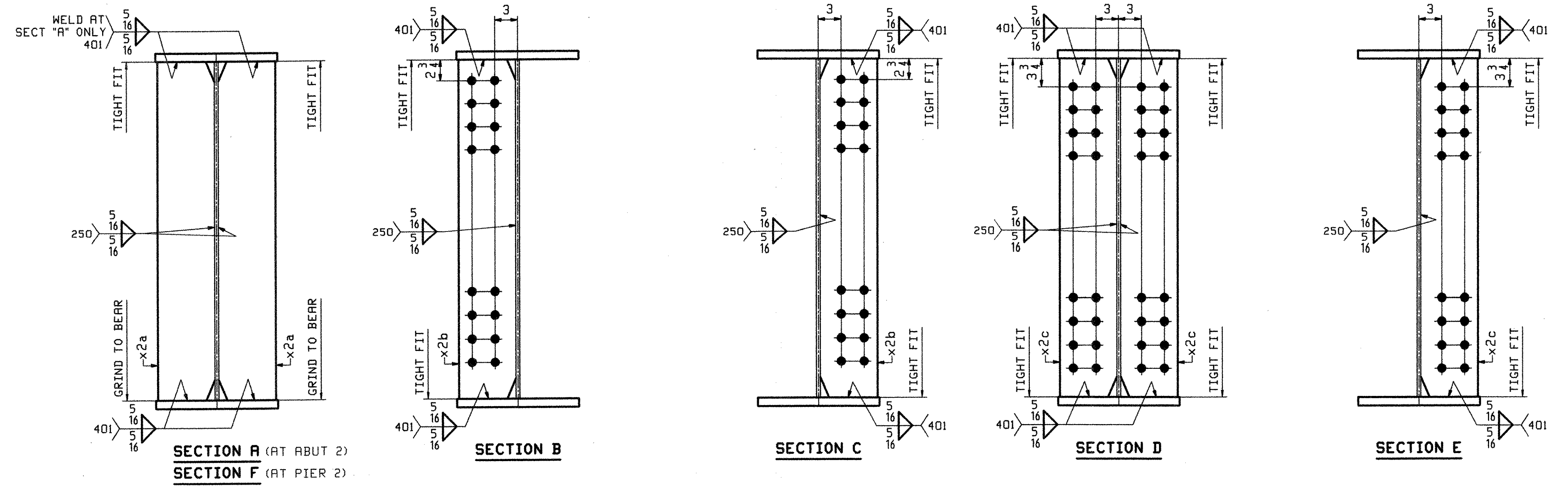
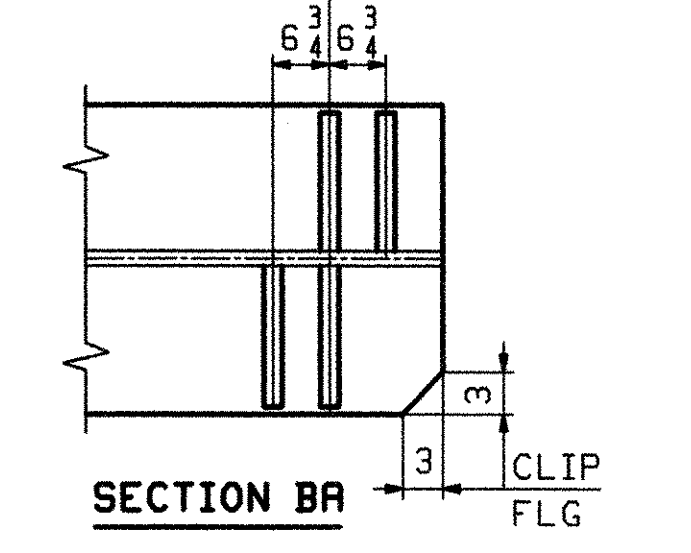
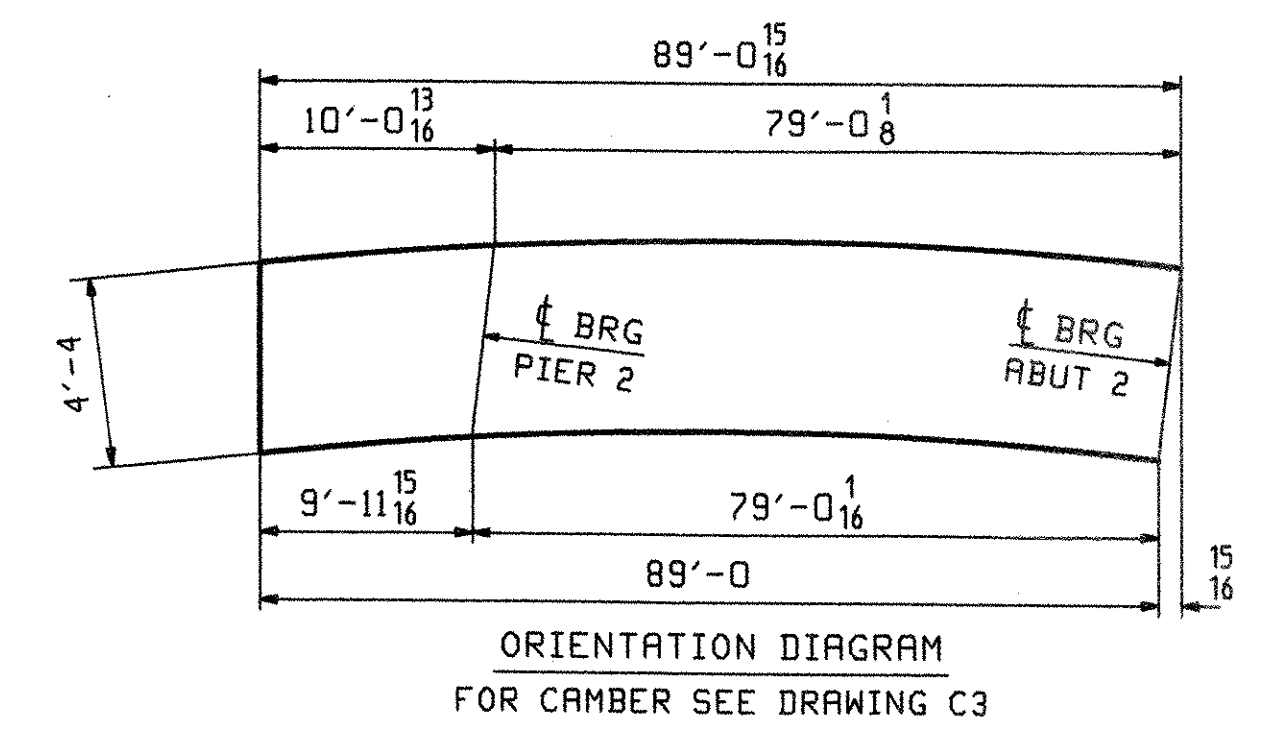


ABN INFO		SHIP	BILL OF MATERIAL				JOB NO.	DRAWING NO.	REV.
PAGE	LINE	MARK	QTY	MARK	MATERIAL	LENGTH FT INCHES	REMARKS	WT	PROCUREMENT NOTES
		16G4C	1		GIRDER			17927	
1	J	1	wa	PL	$\frac{1}{2}$ x52	47 6	(M270-50WT2) (H2-3)		⚠
1	U	1	wb	PL	$\frac{1}{2}$ x52	42 7 $\frac{1}{8}$	(M270-50WT2) (H2-3)		⚠
1	A	1	ta	PL	1x16	19 11 $\frac{7}{8}$	(M270-50WT2) (H2-3)		
1	C	1	tb	PL	$\frac{7}{8}$ x16	70 1 $\frac{1}{8}$	(M270-50WT2) (H2-3)		
1	A	1	ba	PL	1x16	19 11 $\frac{7}{8}$	(M270-50WT2) (H2-3)		
1	C	1	bb	PL	$\frac{7}{8}$ x16	70 0 $\frac{8}{8}$	(M270-50WT2) (H2-3)		
2	H	4	x2a	PL	$\frac{7}{8}$ x7 $\frac{1}{2}$	4 4	MIE		
2	J	4	x2b	PL	$\frac{1}{2}$ x7 $\frac{1}{2}$	4 4			
2	J	9	x2c	PL	$\frac{1}{2}$ x7 $\frac{1}{2}$	4 4			



ONE - GIRDER - 16G4C

FOR FIELD SPLICE DETAILS SEE DRAWING X1.
 FOR GIRDER STANDARD DETAILS SEE DRAWING X2.
 FOR CAMBER & FLANGE DIAGRAMS SEE DRAWING C3.
 FOR GENERAL NOTES SEE DRAWING GNI.
 H2-3 DENOTES MATERIAL SUBJECT TO CHAPPY V-NOTCH TESTING.



RECEIVED
 OK'D BY: [Signature]
 JUL 26 2006
 RESUBMIT APPROVED [Signature]
 BY: [Signature] DATE 7/28/06

OUT FOR APPROVAL	Final 7-17-06									
OUT FOR APPROVAL										
ISSUED TO SHOP										
FIELD & OFFICE										
ADD WEB SPLICE	JTB	PCP								
REV. REMARKS	DATE	DWN	CHK	APP	Q.A.	NO.	DIA.	LGT	TYPE	WASHER
MATERIAL:	ELECTRODES:		HOLES:		SHOP BOLTS:					
M270-50W (UN)			15 $\frac{1}{16}$ ϕ		NONE					
SURFACE PREP. & PAINT:										
SEE DRAWING GNI										
DESCRIPTION:	GIRDER - 16G4C				DRAWN BY	DATE				
JOB:	RTE 9 OVER ROARING BRANCH OF WALLOOMSAC RIVER				JTB	02/22				
	BRIDGE No. BR 11				CHKD BY					
	WOODFORD, VT. BENNINGTON COUNTY				PCP	03/06				
					APPROV BY					
					SUPERVISOR	W. J. GATTI				
PROJ NO.	BHF 010-1(29)				Q.A.					
CUSTOMER: RENRUD BROTHERS, INC.										
CASCO BAY STEEL STRUCTURES, INC.					JOB NO.	DRG. NO.				
75 SPRING HILL ROAD SACO, MAINE 04072					290	16				
PHONE (207) 282-7360 FAX. (207) 282-1179					REV.	⚠				

PCP From Rev 27 03/06/06 EST 2006 /user/John/2006/16 Rev 1