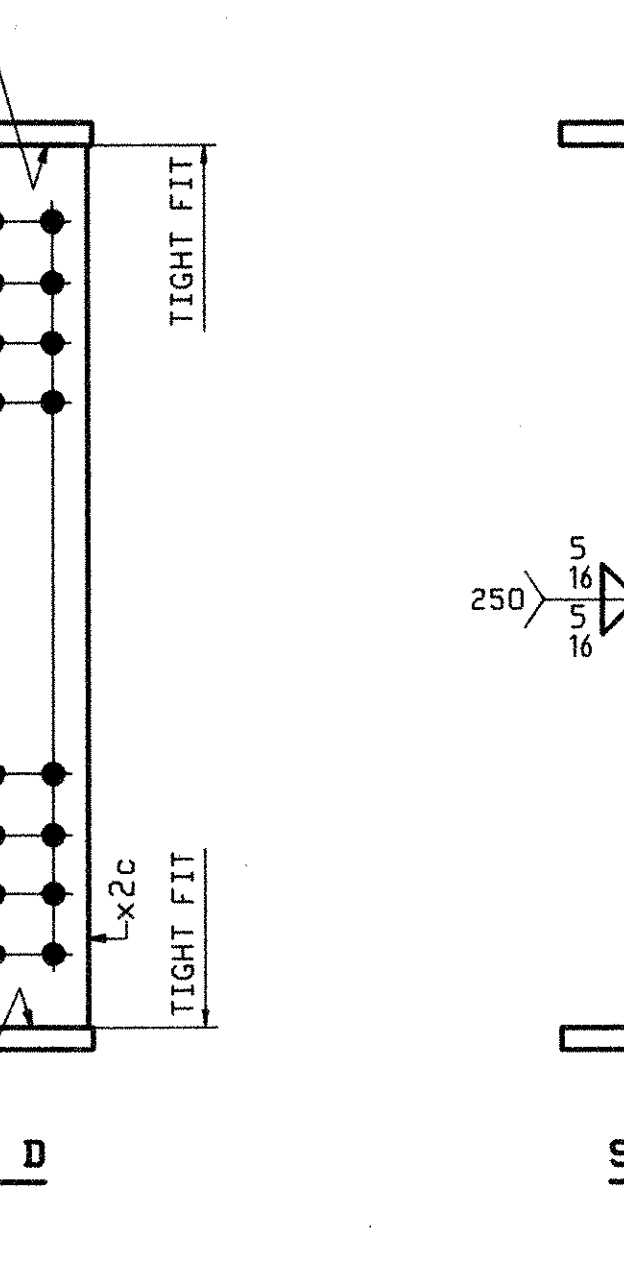
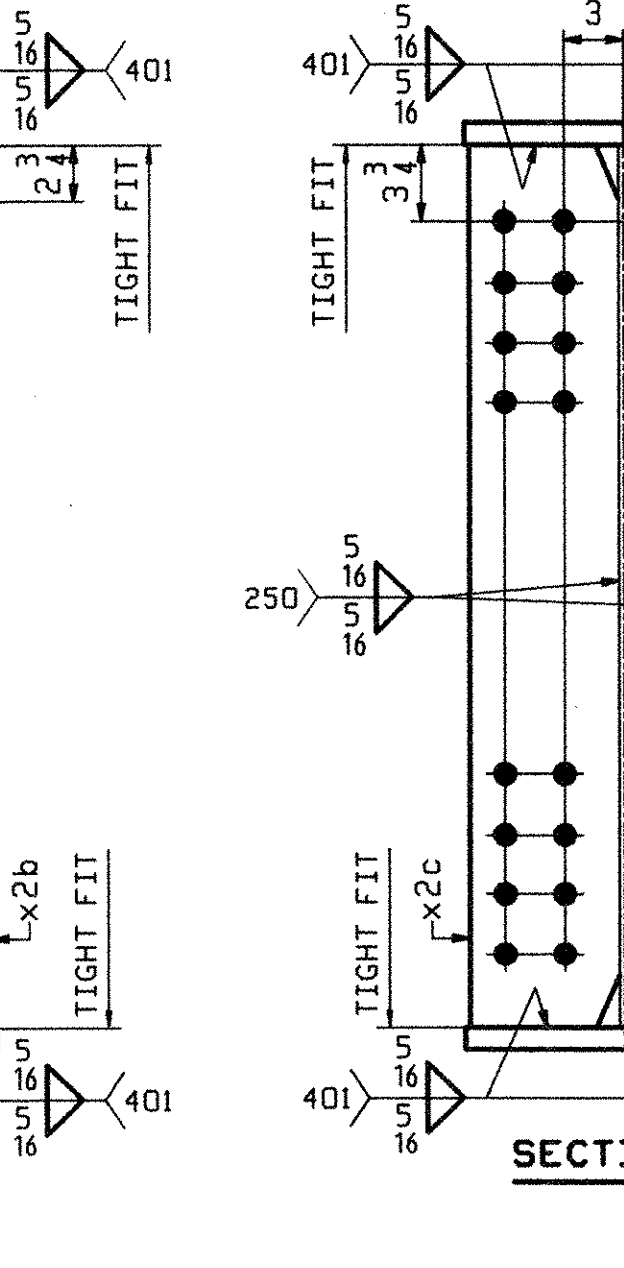
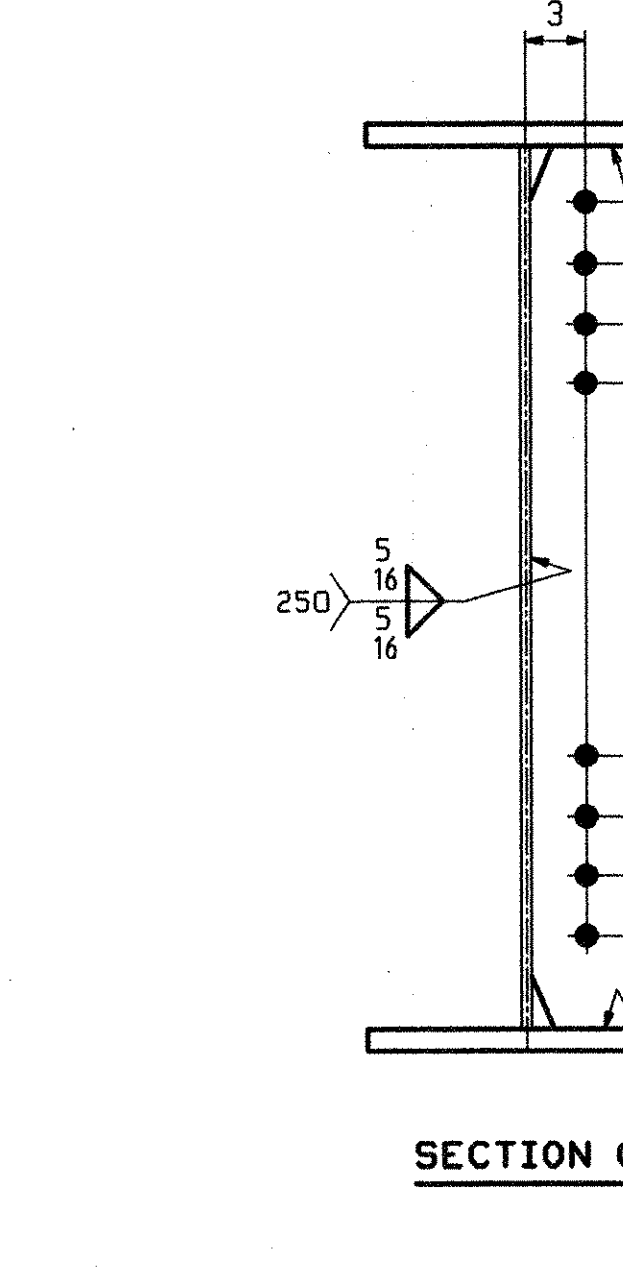
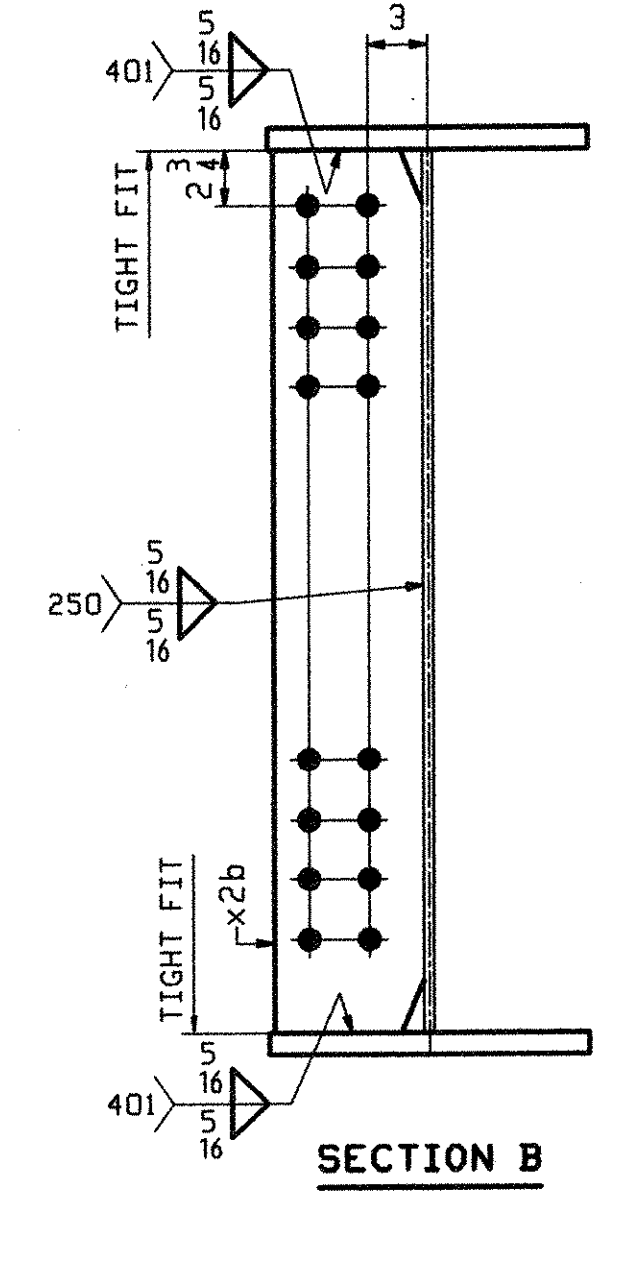
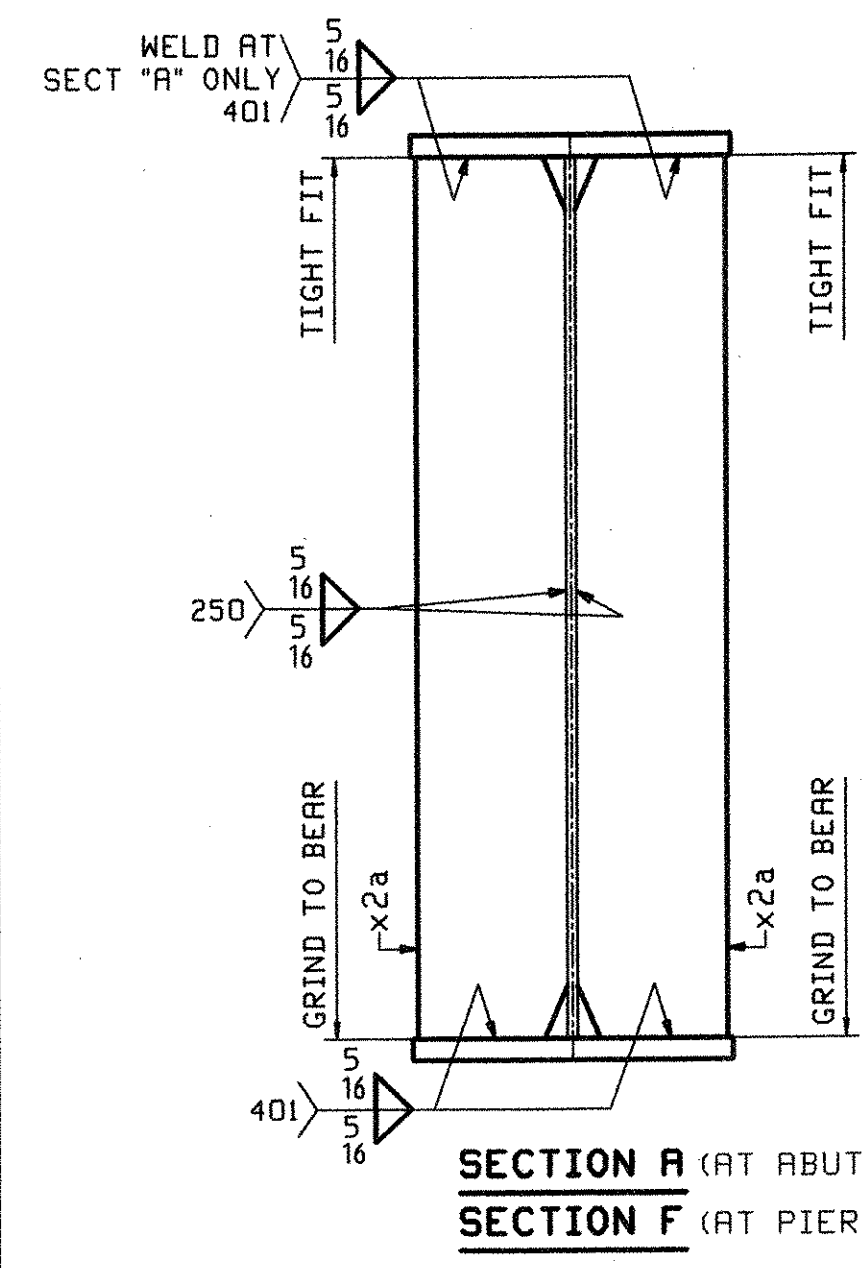
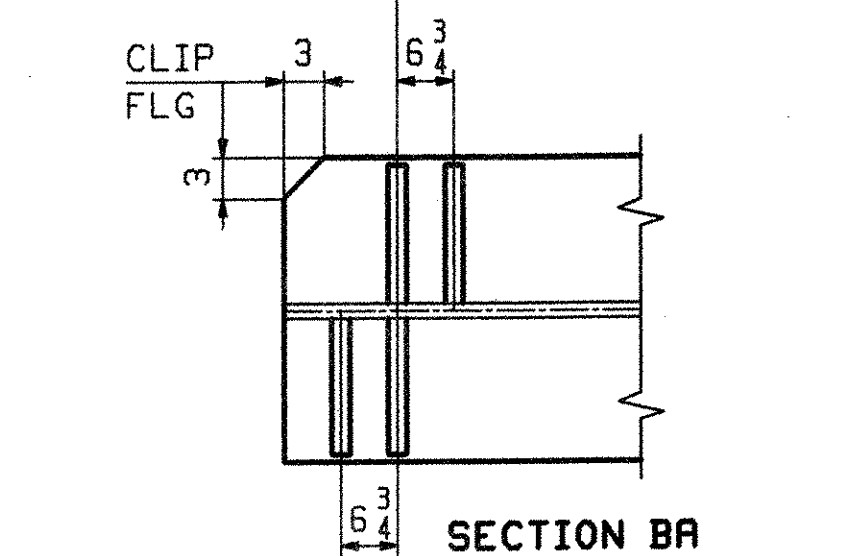
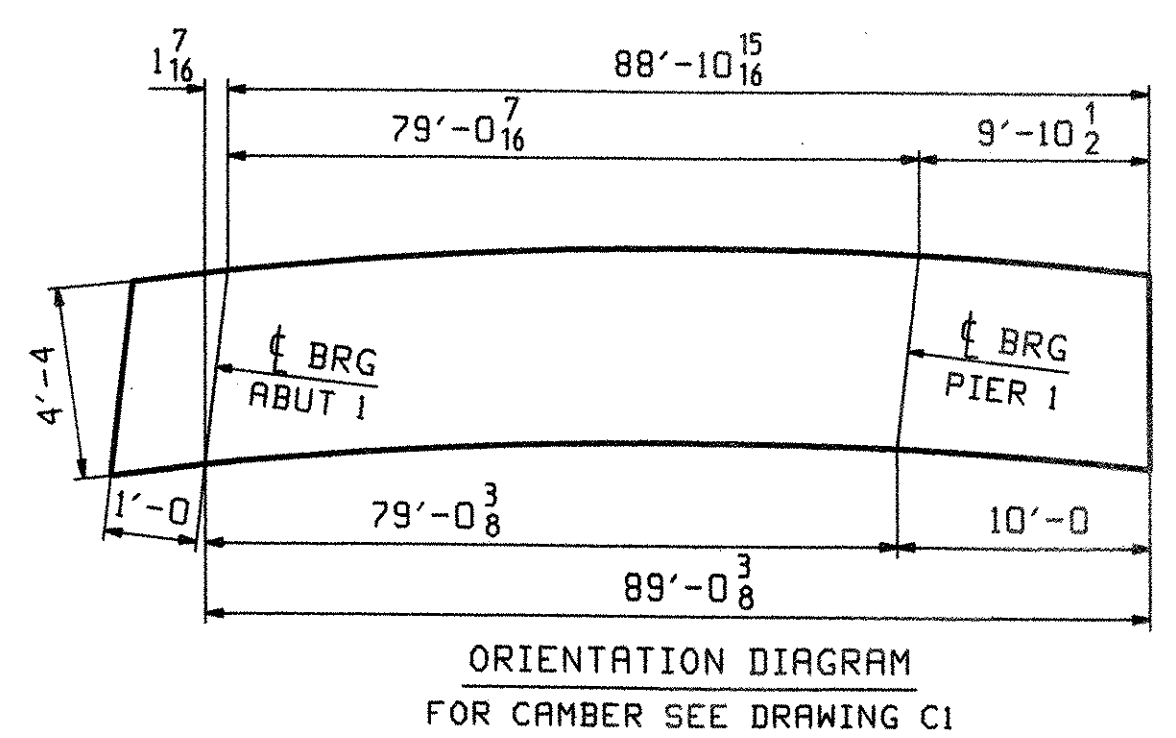


ONE - GIRDER - 4G4A
 FOR FIELD SPLICE DETAILS SEE DRAWING XI.
 FOR GIRDER STANDARD DETAILS SEE DRAWING X2.
 FOR CAMBER & FLANGE DIAGRAMS SEE DRAWING C1.
 FOR GENERAL NOTES SEE DRAWING GNI.
 H2-3 DENOTES MATERIAL SUBJECT TO CHARPY V-NOTCH TESTING.

ABM INFO		BILL OF MATERIAL				JOB NO.	DRAWING NO.	REV.	
						290	4	△	
PAGE	LINE	MARK	QTY	MARK	MATERIAL	LENGTH FT INCHES	REMARKS	WT	PROCUREMENT NOTES
		4G4A	1		GIRDER			17917	
1	Q	1	wa	PL	1/2x52	46 5/8	(M270-50WT2) (H2-3)		△
1	S	1	wb	PL	1/2x52	43 6	(M270-50WT2) (H2-3)		△
1	C	1	ta	PL	7/8x16	69 11/16	(M270-50WT2) (H2-3)		
1	A	1	tb	PL	1x16	19 11/8	(M270-50WT2) (H2-3)		
1	C	1	ba	PL	7/8x16	70 0/2	(M270-50WT2) (H2-3)		
1	A	1	bb	PL	1x16	19 11/8	(M270-50WT2) (H2-3)		
2	H	4	x2a	PL	1/2x7 1/2	4 4	MIE		
2	J	4	x2b	PL	1/2x7 1/2	4 4			
2	J	9	x2c	PL	1/2x7 1/2	4 4			



RECEIVED
 OK'D BY: [Signature]
 JUL 26 2006
 RESUBMIT: [Signature]
 APPROVED: [Signature]
 BY: [Signature] DATE: 7/28/06

OUT FOR APPROVAL	Final 7-17-06										
OUT FOR APPROVAL											
ISSUED TO SHOP											
FIELD & OFFICE											
ADD WEB SPLICE	JTB	PCP									
REV.	REMARKS	DATE	DWN	CHK	APP	Q.A.	NO.	DIA.	LGT	TYPE	WASHER
	MATERIAL: M270-50W (UN)										
	ELECTRODES:										
	HOLES: 15/16"										
	SHOP BOLTS: NONE										
SURFACE PREP. & PAINT: SEE DRAWING GNI											
DESCRIPTION:	GIRDER - 4G4A					DRAWN BY:	JTB	DATE:	02/22		
JOB:	RTE 9 OVER ROARING BRANCH OF WALLOOMSAC RIVER					CHKD BY:					
	BRIDGE No. BR 11					PCP		03/06			
	WOODFORD, VT. BENNINGTON COUNTY					APPROV BY:					
	SUPERVISOR W. J. GATTI					Q.A.					
PROJ NO.	BHF 010-1(29)										
CUSTOMER:	RENAUD BROTHERS, INC.										
CASCO BAY STEEL STRUCTURES, INC.										JOB NO.	290
75 SPRING HILL ROAD SACO, MAINE 04072										DRG. NO.	4
PHONE (207) 282-7360 FAX. (207) 282-1179										REV.	△