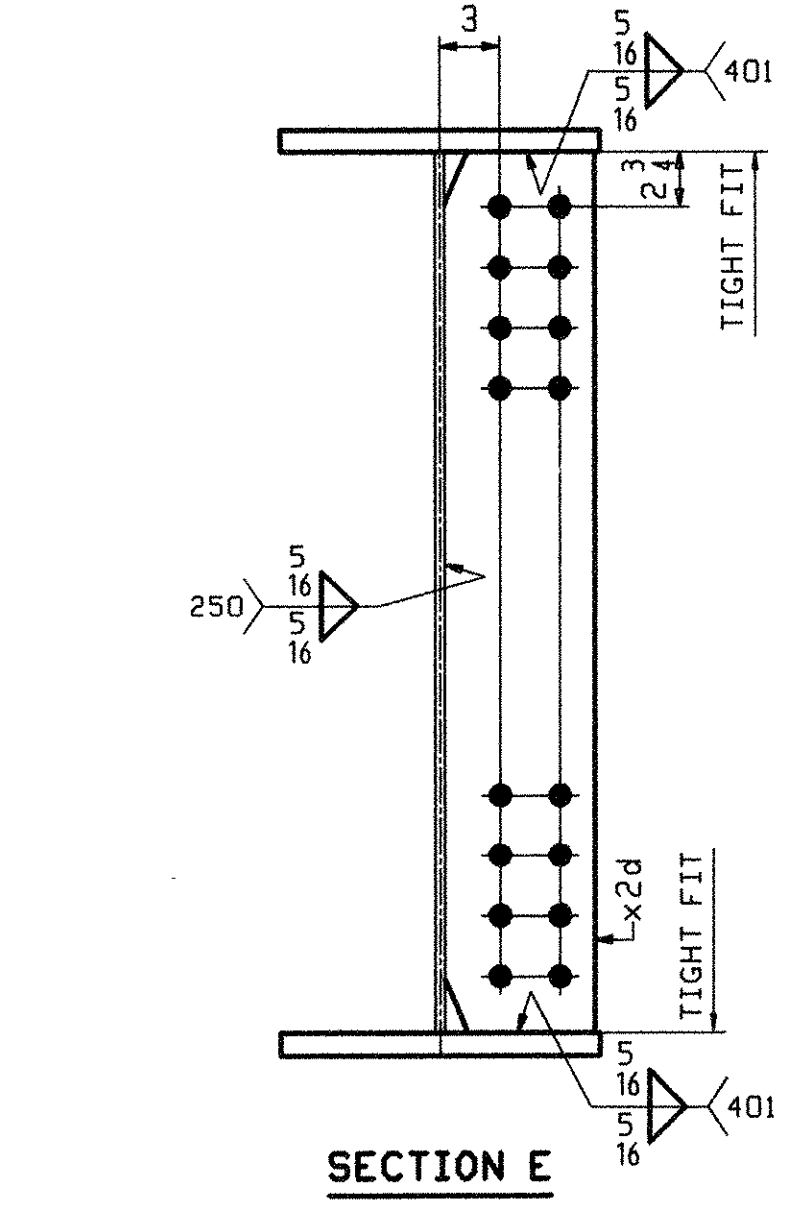
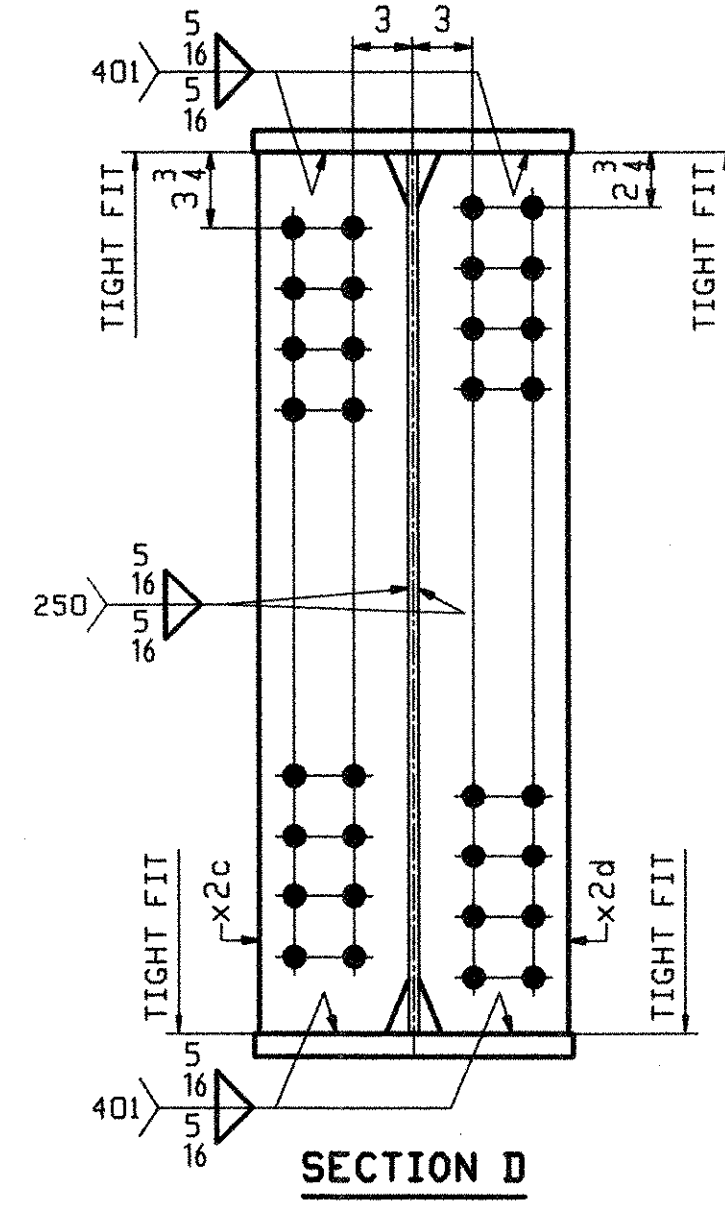
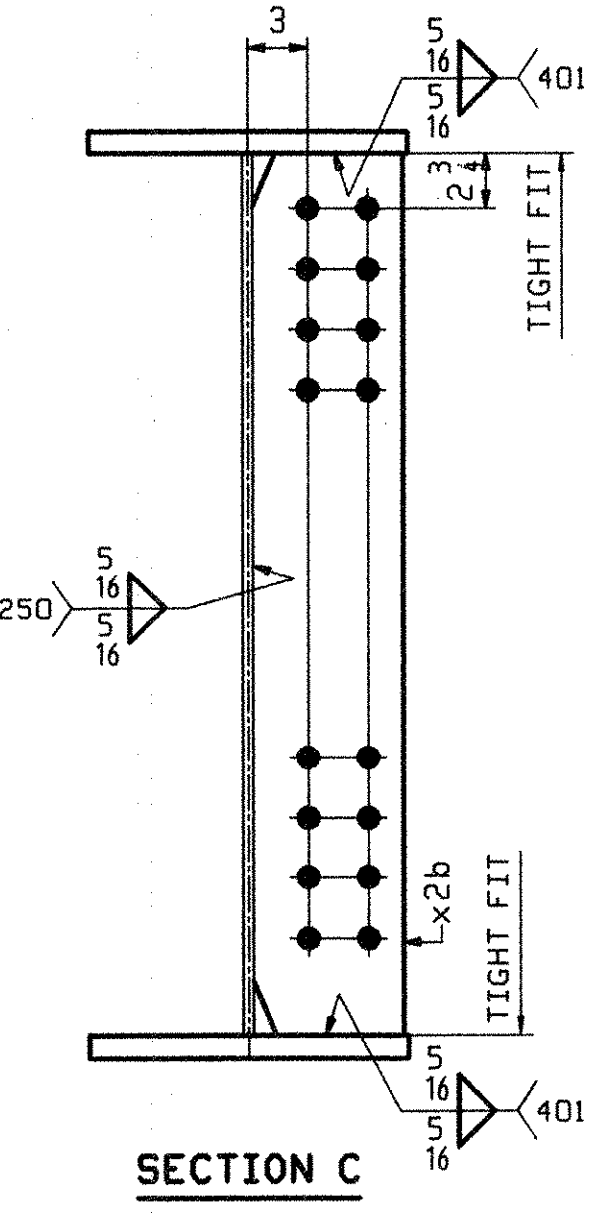
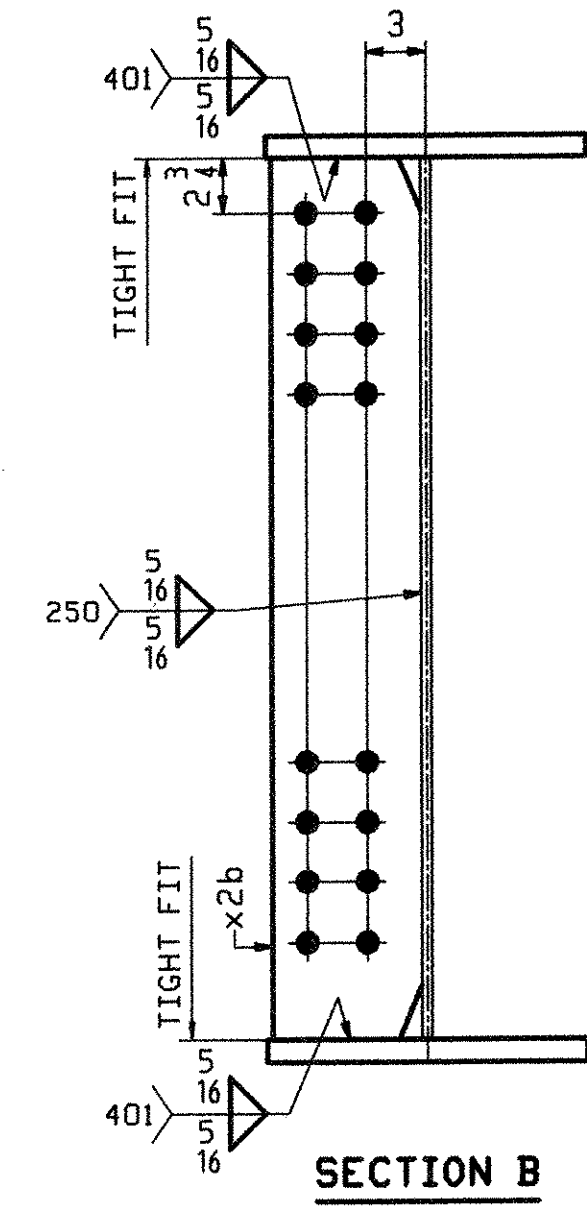
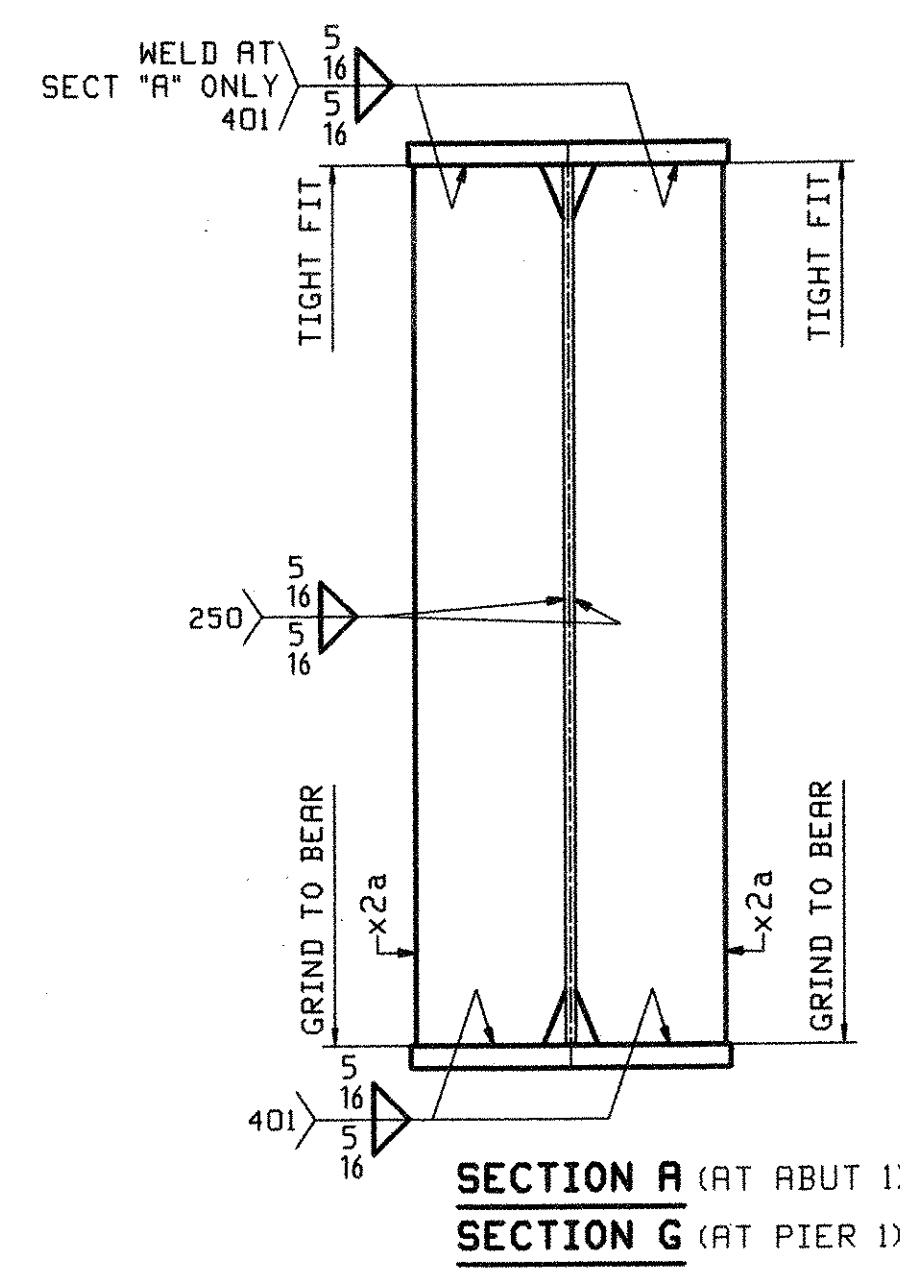
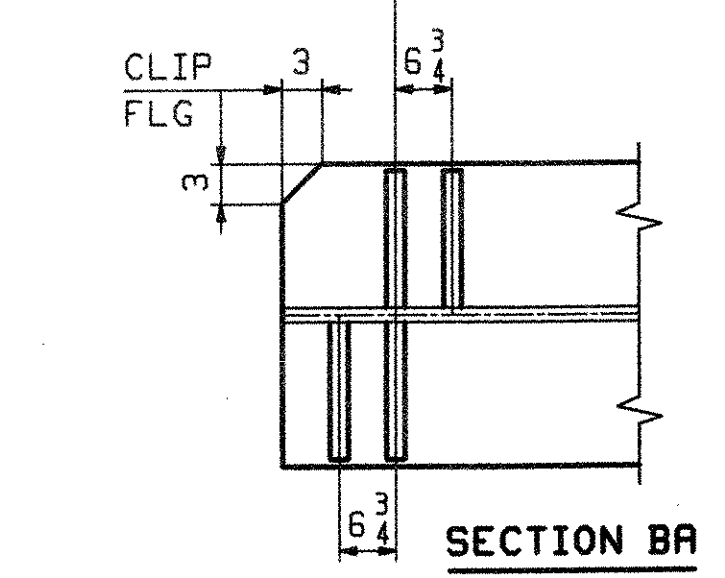
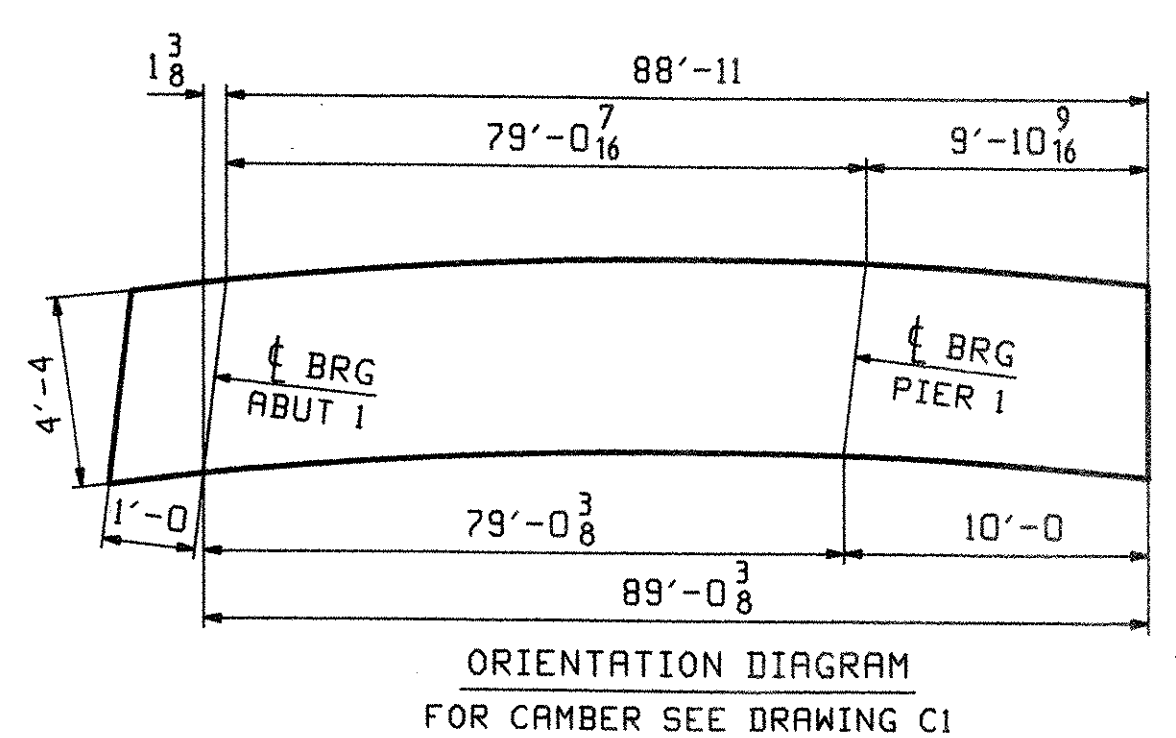


**ONE - GIRDER - 2G2A**  
 FOR FIELD SPlice DETAILS SEE DRAWING X1.  
 FOR GIRDER STANDARD DETAILS SEE DRAWING X2.  
 FOR CAMBER & FLANGE DIAGRAMS SEE DRAWING C1.  
 FOR GENERAL NOTES SEE DRAWING GNI.  
 H2-3 DENOTES MATERIAL SUBJECT TO CHARPY V-NOTCH TESTING.

ABH INFO		BILL OF MATERIAL				JOB NO.	DRAWING NO.	REV.	
PAGE	LINE	MARK	QTY	MARK	MATERIAL	LENGTH FT INCHES	REMARKS	WT	PROCUREMENT NOTES
		2G2A	1		GIRDER			18194	
1	O		1	wa	PL 1/2 x 52	46 6 5/8	(M270-50WT2) (H2-3)		
1	S		1	wb	PL 1/2 x 52	43 6	(M270-50WT2) (H2-3)		
1	C		1	ta	PL 7/8 x 16	69 11 1/8	(M270-50WT2) (H2-3)		
1	A		1	tb	PL 1 x 16	19 11 7/8	(M270-50WT2) (H2-3)		
1	C		1	ba	PL 7/8 x 16	70 0 1/2	(M270-50WT2) (H2-3)		
1	A		1	bb	PL 1 x 16	19 11 7/8	(M270-50WT2) (H2-3)		
2	H		4	x2a	PL 1/2 x 7 1/2	4 4	MIE		
2	J		4	x2b	PL 1/2 x 7 1/2	4 4			
2	J		4	x2c	PL 1/2 x 7 1/2	4 4			
2	J		5	x2d	PL 1/2 x 7 1/2	4 4			
2	J		5	x2f	PL 1/2 x 7 1/2	4 4			



RECEIVED  
 OK'D BY: [Signature]  
 JUL 26 2006  
 RESUBMIT BY: [Signature]  
 APPROVED: [Signature]  
 DATE: 7/28/06

OUT FOR APPROVAL	7-17-06									
OUT FOR APPROVAL										
ISSUED TO SHOP										
FIELD & OFFICE										
ADD WEB SPlice	JTB	PCP								
REV. REMARKS	DATE	DWN	CHK	APP	Q.A.	NO.	DIA.	LGT	TYPE	WASHER
MATERIAL:	ELECTRODES:	HOLES:	SHOP BOLTS:							
M270-50W (UN)		15/16" Ø	NONE							
SURFACE PREP. & PAINT:										
SEE DRAWING GNI										
DESCRIPTION:	GIRDER - 2G2A					DRAWN BY	DATE			
JOB:	RTE 9 OVER ROARING BRANCH OF WALLOOMSAC RIVER					JTB	02/22			
	BRIDGE No. BR 11					CHKD BY				
	WOODFORD, VT. BENNINGTON COUNTY					PCP	03/06			
						APPROV BY				
						SUPERVISOR	M. J. GATTI			
PROJ NO.	BHF 010-1(29)					Q.A.				
CUSTOMER: RENAUD BROTHERS, INC.										
<b>CASCO BAY STEEL STRUCTURES, INC.</b>					JOB NO.	DRG. NO.				
75 SPRING HILL ROAD					SACO, MAINE 04072	290	2			
PHONE (207) 282-7360					FAX. (207) 282-1179	REV.				