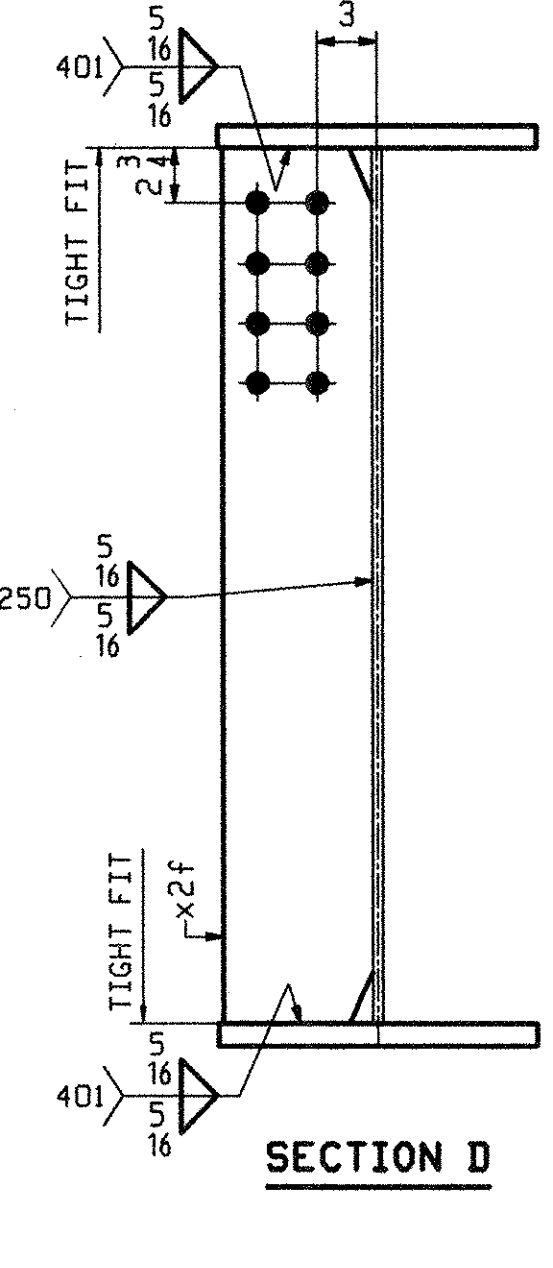
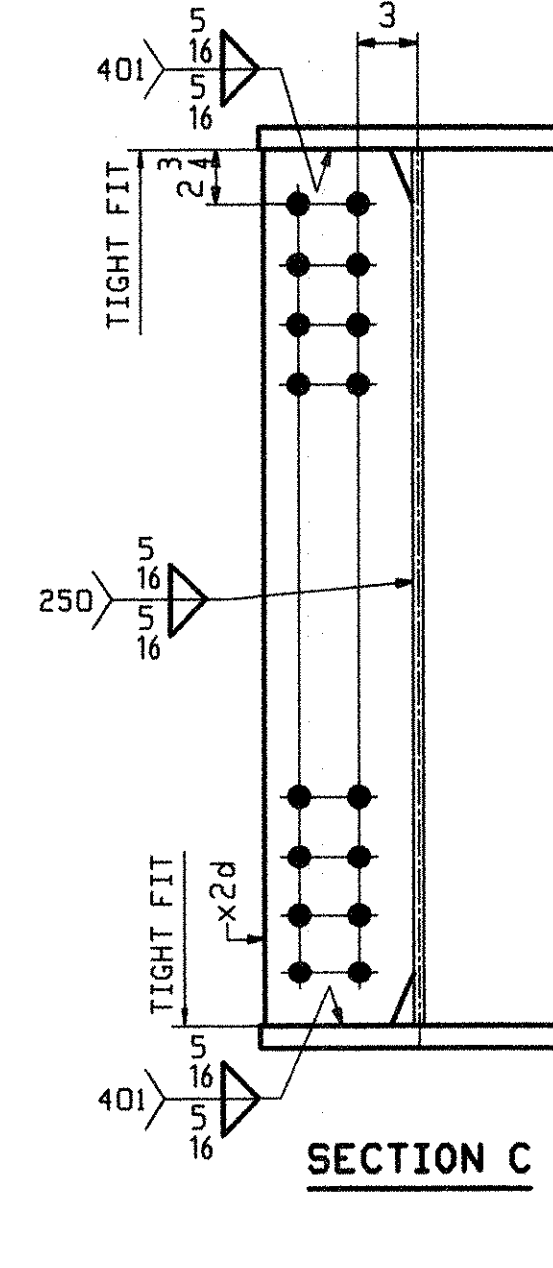
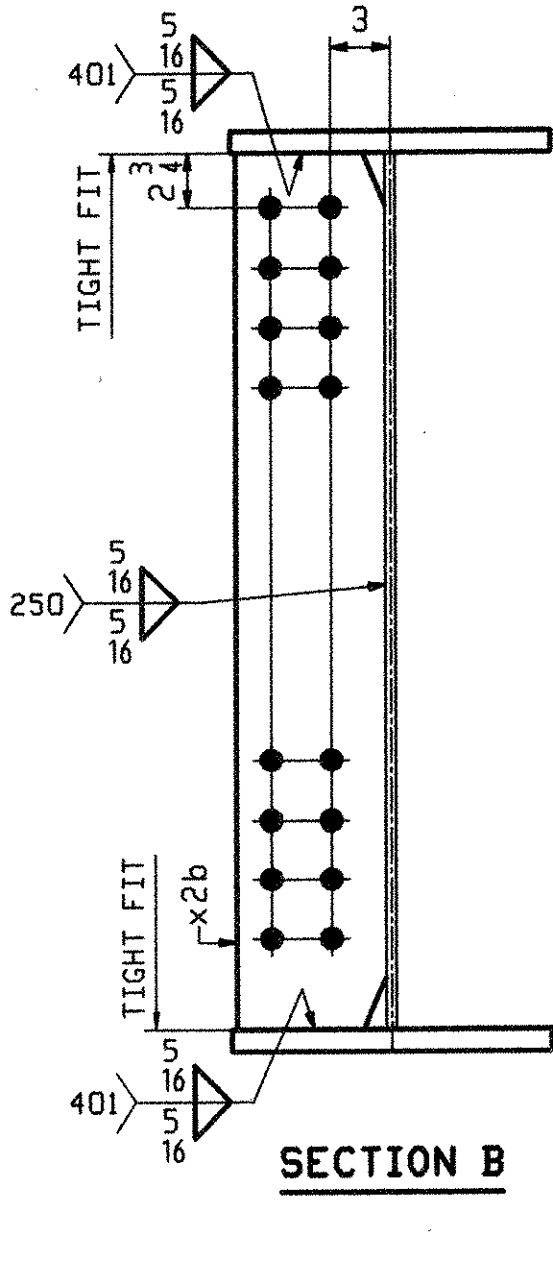
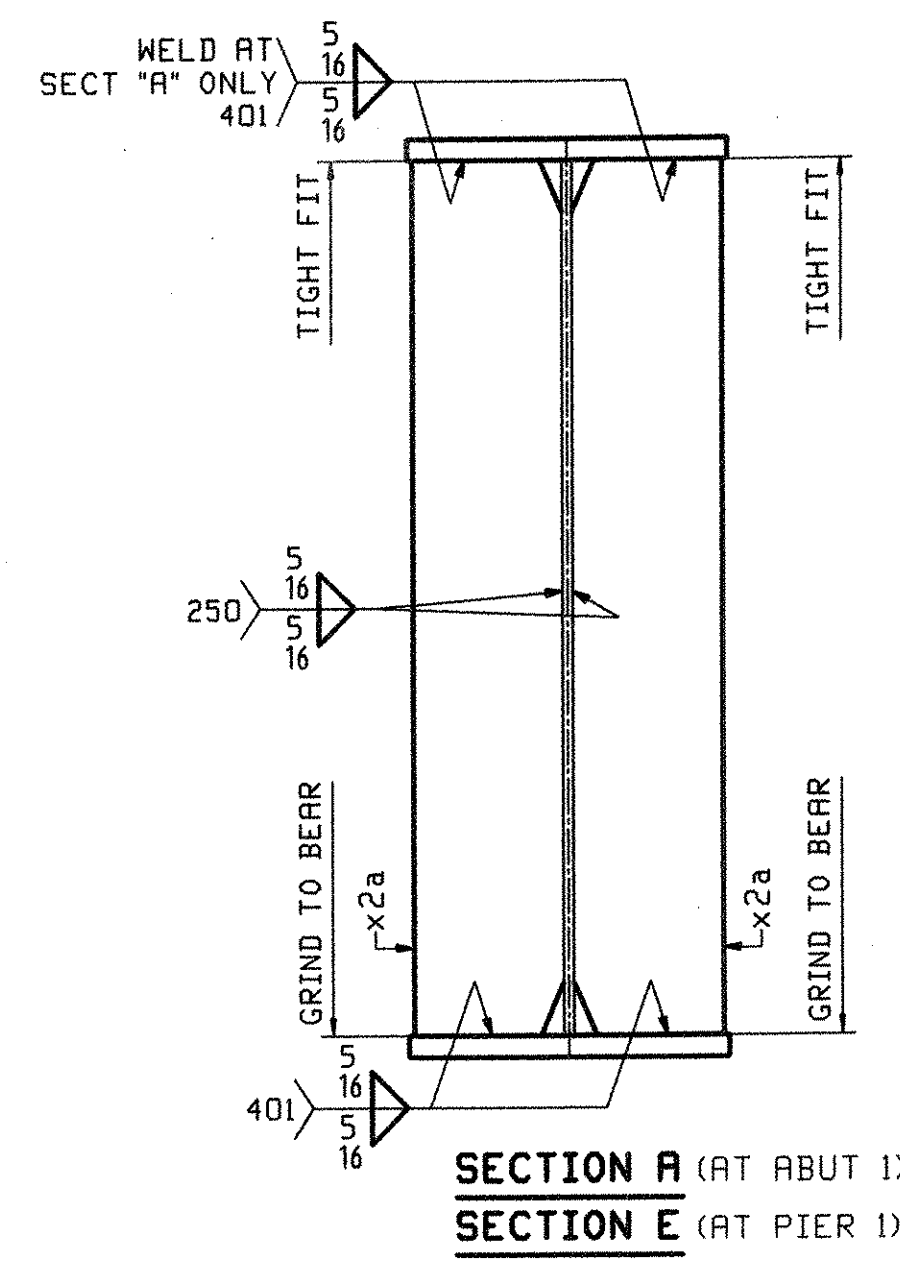
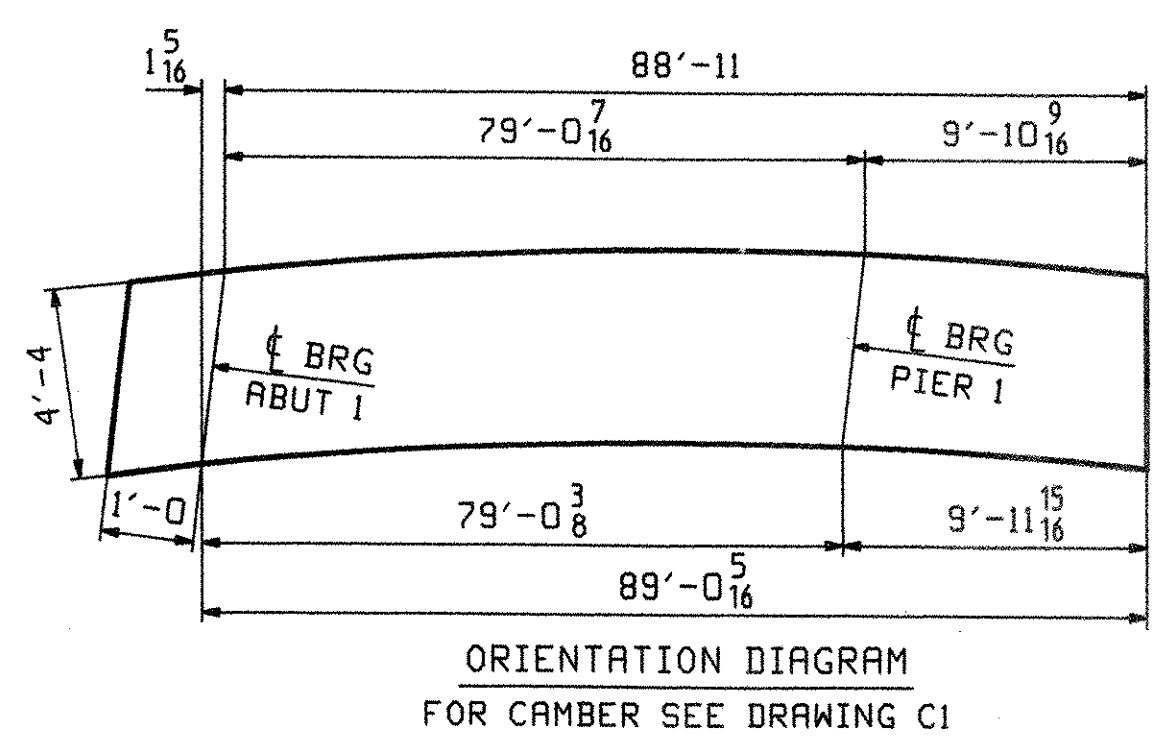


**ONE - GIRDER - 1G1A**  
 FOR FIELD SPLICE DETAILS SEE DRAWING X1.  
 FOR GIRDER STANDARD DETAILS SEE DRAWING X2.  
 FOR CAMBER & FLANGE DIAGRAMS SEE DRAWING X2.  
 FOR GENERAL NOTES SEE DRAWING GNI.  
 H2-3 DENOTES MATERIAL SUBJECT TO CHARPY V-NOTCH TESTING.



ABM INFO		SHIP	BILL OF MATERIAL		JOB NO.	DRAWING NO.	REV.		
PAGE	LINE	MARK	QTY	MARK	MATERIAL	LENGTH FT INCHES	REMARKS	WT	PROCUREMENT NOTES
		IG1A	1		GIRDER			17921	
1	Q		1	wa	PL 1/2 x 52	46 5/16	(M270-50WT2) (H2-3)		
1	S		1	wb	PL 1/2 x 52	43 6	(M270-50WT2) (H2-3)		
1	C		1	ta	PL 7/8 x 16	69 11/8	(M270-50WT2) (H2-3)		
1	A		1	tb	PL 1 x 16	19 11/8	(M270-50WT2) (H2-3)		
1	C		1	ba	PL 7/8 x 16	70 0/16	(M270-50WT2) (H2-3)		
1	A		1	bb	PL 1 x 16	19 11/8	(M270-50WT2) (H2-3)		
2	H		4	x2a	PL 7/8 x 7 1/2	4 4	MIE		
2	J		2	x2b	PL 1/2 x 7 1/2	4 4			
2	J		6	x2d	PL 1/2 x 7 1/2	4 4			
2	J		5	x2f	PL 1/2 x 7 1/2	4 4			
2	K		1	x2g	PL 1/2 x 2 1/2	0 11			
2	K		1	x2m	PL 1/4 x 3	0 11			



OUT FOR APPROVAL	Final 7-17-06										
OUT FOR APPROVAL											
ISSUED TO SHOP											
FIELD & OFFICE											
<input type="checkbox"/> ADD WEB SPLICE JTB PCP											
REV.	REMARKS	DATE	DWN	CHK	APP	Q.A.	NO.	DIA.	LGT	TYPE	WASHER
	MATERIAL: M270-50W (UN)										SHOP BOLTS: NONE
SURFACE PREP. & PAINT: SEE DRAWING GNI											
DESCRIPTION:	GIRDER - 1G1A					DRAWN BY	JTB	DATE	02/22		
JOB:	RTE 9 OVER ROARING BRANCH OF WALLOOMSAC RIVER BRIDGE No. BR 11 WOODFORD, VT. BENNINGTON COUNTY					CHKD BY	PCP	DATE	03/06		
						APPROV BY	M. J. GATTI				
PROJ NO.	BHF 010-1(29)					DATE	7/28/06				
CUSTOMER: RENAUD BROTHERS, INC.											
CASCO BAY STEEL STRUCTURES, INC.											
75 SPRING HILL ROAD	SACO, MAINE 04072					JOB NO.	290	DRG. NO.	1		
PHONE (207) 282-7360	FAX. (207) 282-1179					REV.					