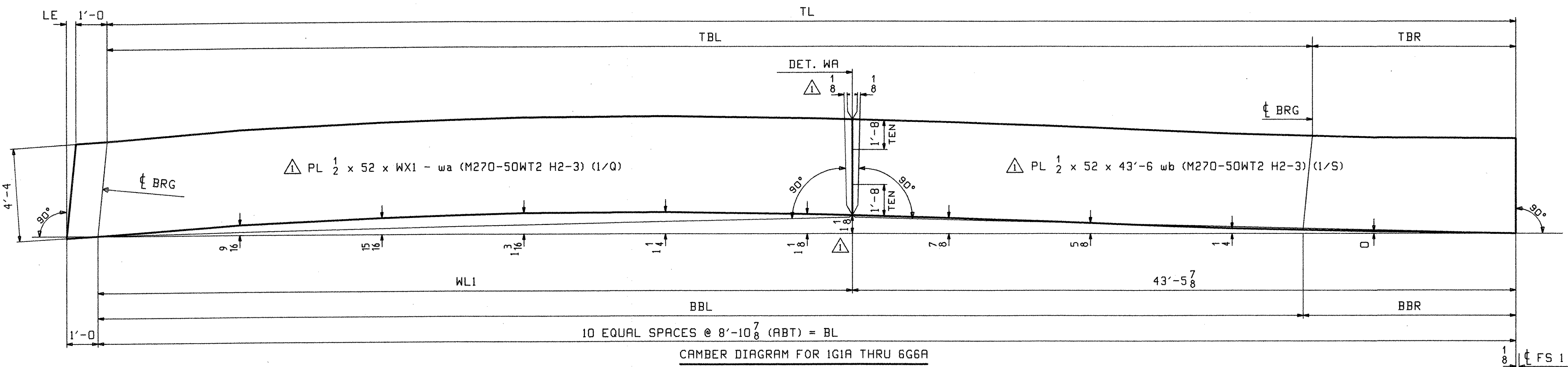


FLANGE DIAGRAM FOR 1G1A THRU 6G6A



CAMBER DIAGRAM FOR 1G1A THRU 6G6A

MARK	TL	BL	LE	WL1	WX1	TBL	TBR	BBL	BBR
1G1A	88'-11	89'-0 ⁵ / ₁₆	1 ⁵ / ₁₆	45'-6 ⁷ / ₁₆	46'-6 ⁹ / ₁₆	79'-0 ⁷ / ₁₆	9'-10 ⁹ / ₁₆	79'-0 ³ / ₈	9'-11 ¹⁵ / ₁₆
2G2A	88'-11	89'-0 ³ / ₈	1 ³ / ₈	45'-6 ¹ / ₂	46'-6 ⁵ / ₈	79'-0 ⁷ / ₁₆	9'-10 ⁹ / ₁₆	79'-0 ³ / ₈	10'-0
3G3A	88'-11	89'-0 ³ / ₈	1 ³ / ₈	45'-6 ¹ / ₂	46'-6 ⁵ / ₈	79'-0 ⁷ / ₁₆	9'-10 ⁹ / ₁₆	79'-0 ³ / ₈	10'-0
4G4A	88'-10 ¹⁵ / ₁₆	89'-0 ³ / ₈	1 ⁷ / ₁₆	45'-6 ¹ / ₂	46'-6 ⁵ / ₈	79'-0 ⁷ / ₁₆	9'-10 ¹ / ₂	79'-0 ³ / ₈	10'-0
5G5A	88'-10 ¹⁵ / ₁₆	89'-0 ³ / ₈	1 ⁷ / ₁₆	45'-6 ¹ / ₂	46'-6 ⁵ / ₈	79'-0 ¹ / ₂	9'-10 ⁷ / ₁₆	79'-0 ⁷ / ₁₆	9'-11 ¹⁵ / ₁₆
6G6A	88'-10 ¹⁵ / ₁₆	89'-0 ⁷ / ₁₆	1 ¹ / ₂	45'-6 ⁹ / ₁₆	46'-6 ¹¹ / ₁₆	79'-0 ¹ / ₂	9'-10 ⁷ / ₁₆	79'-0 ⁷ / ₁₆	10'-0

- NOTES:
 1. ALL MATERIAL IS M270-50WT2 (CVN).
 2. FOR GENERAL NOTES AND DETAIL "FA" SEE DWG GNI.

OUT FOR APPROVAL	Final 7-17-06										
OUT FOR APPROVAL											
ISSUED TO SHOP											
FIELD & OFFICE											
ADD WEB SPLICE	JTB	PCP									
REV.	REMARKS	DATE	DWN	CHK	APP	Q.A.	NO.	DIA.	LGT	TYPE	WASHER
MATERIAL:	ELECTRODES:	HOLES:									SHOP BOLTS:

SURFACE PREP. & PAINT:	
DESCRIPTION:	BASIC GIRDER
JOB:	RTE 9 OVER ROARING BRANCH OF WALLOOMSAC RIVER
	BRIDGE No. BR 11
	WOODFORD, VT. BENNINGTON COUNTY
PROJ NO.	BHF 010-1(29)
CUSTOMER:	RENAUD BROTHERS, INC.
CASCO BAY STEEL STRUCTURES, INC.	75 SPRING HILL ROAD SACO, MAINE 04072
	PHONE (207) 282-7360 FAX. (207) 282-1179
DRAWN BY	WL
DATE	02/17
CHKD BY	PCP
DATE	02/22
APPROV BY	
SUPERVISOR	M. J. GATTI
Q.A.	
JOB NO.	290
DRG. NO.	C1
REV.	

RECEIVED
 OK'D BY: *Men*
 JUL 26 2006
 RESUBMIT: APPROVED:
 BY: DATE 7/28/06