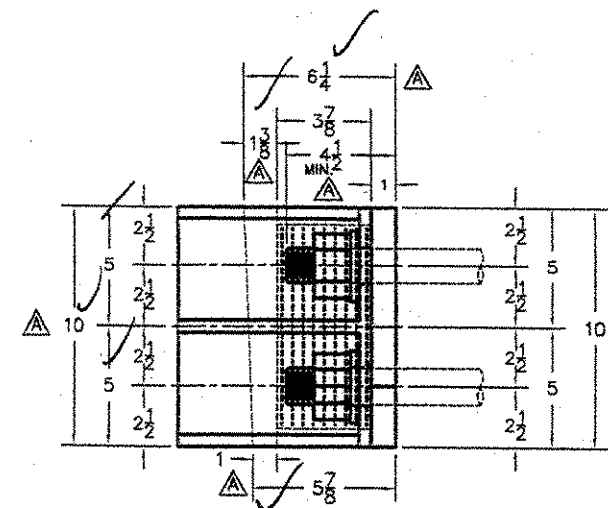


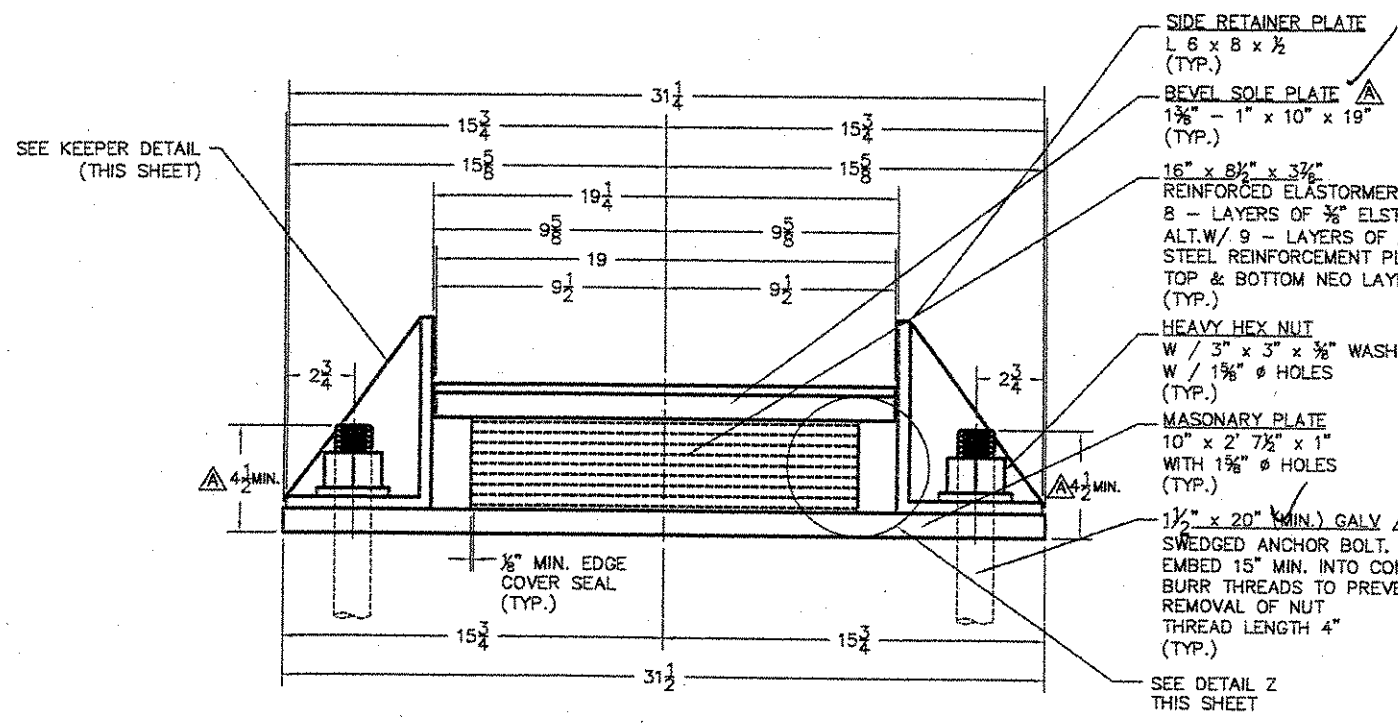
PLAN VIEW EXPANSION BEARING @ ABUTMENT 2



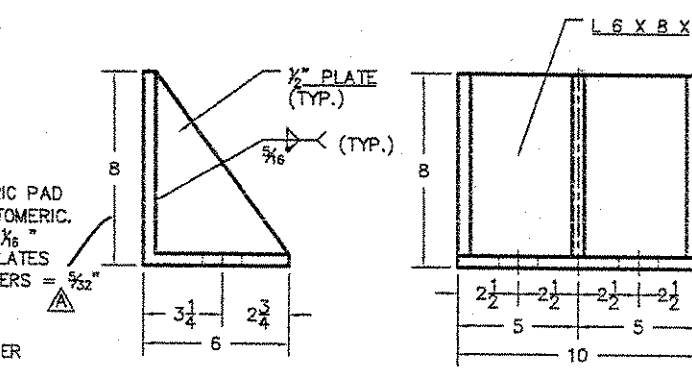
SIDE VIEW

REVISIONS			
DATE	REV	DESCRIPTION	APPROVED
2/2/09	A	FOR ENGINEER'S MARKS	E.A.K.

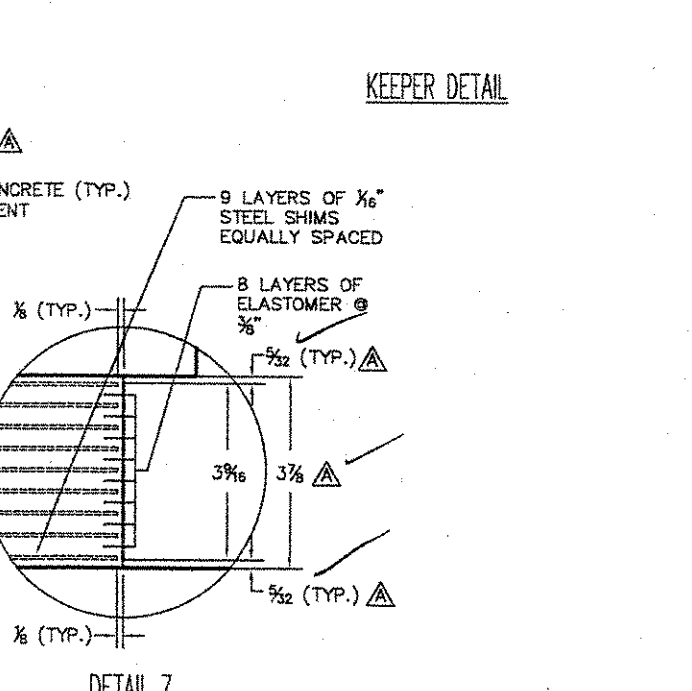
- NOTES:**
- BEARINGS TO BE MANUFACTURED ACCORDING TO AASHTO STANDARD SPECIFICATIONS FOR HIGHWAY BRIDGES, 17TH EDITION, 2002.
 - THE BEARINGS ARE DESIGNED SO THAT THE SUPERSTRUCTURE MAY BE ERECTED WHEN THE AMBIENT AIR TEMPERATURE IS WITHIN THE RANGE OF 4 DEG. C. TO 32 DEG. C.
 - ALL STEEL IN BEARINGS SHALL BE AASHTO M270 GRADE 50, U.L.D.
 - NEOPRENE SHALL BE AASHTO M29.60 DIAPHRAGM +/- 5, OR 4
 - ALL STEEL PRODUCED IN THE U.S.A.
 - CONTACT PETER SOMORHAY, COORDINATOR.
 - TOLERANCES: THICKNESS -0.1/0
PLAN -0.1/0
 - MANUFACTURING FACILITY LOCATION:
AMSCOTT STRUCTURAL PRODUCTS INC.
201 EAST BLACKWELL STREET
DOVER, NJ 07801
 - ALL DIMENSIONS ARE IN INCHES.
 - ALL BEARING DEVICES SHALL BE METALLIZED AS PER STANDARD SPECIFICATIONS (SIS 5 AND SIS 6.01). IF THE BEARINGS ARE METALLIZED, THEY SHALL BE SEALED WITH AN APPROVED SEALER AS SPECIFIED IN STANDARD SPECIFICATION SIS 5.15.
 - ALL ANCHOR BOLTS, NUTS AND WASHERS SHALL BE GALVANNEZED PER AASHTO M232.
 - PRIOR TO METALLIZING, ALL CORNERS AND EDGES OF STEEL PLATES, SHIMS, ETC. SHALL BE GROUNDED TO A 1/16" RADIUS (TYP).
 - A MINIMUM THICKNESS OF 6 MILS SHALL BE APPLIED TO METALLIZED SURFACES (TYP).
 - EXTERIOR SURFACES SHALL BE SEALED WITH AN APPROVED SEALANT CONFORMING TO THE RECOMMENDATIONS OF THE THERMAL SPRAY SUPPLIER (TYP).
 - BEARING DEVICE ASSEMBLY ITEM NO. S31.10
 - THE STEEL SOLE PLATES AND MASONRY PLATES SHALL BE HOT BONDED TO THE REINFORCED ELASTOMERIC PAD DURING THE VULCANIZATION PROCESS. THE STEEL SURFACES TO BE BONDED TO THE PAD SHALL NOT BE METALLIZED.



ELEVATION VIEW
(QTY. REQ'D = 6 ASSY.)



KEEPER DETAIL



DETAIL Z

BRIDGE NO. 11	PROJECT NO.: BHP 010-1 (29)
JOB NO. 2212	
EXPANSION BEARING DETAILS	
ABUTMENT NO. 1	
HWY. NO. VT 9 OVER ROARING BRANCH OF WALLOOSACH, TOWN OF WOODFORD	
PRIME CONTRACTOR: REMAUD BROS., INC.	SCALE = N.T.S.
FABRICATOR: AMSCOTT STRUCTURAL PRODUCTS CORP.	DWG. NO.: RB08A3PA
	SHEET NO. 3 OF 4