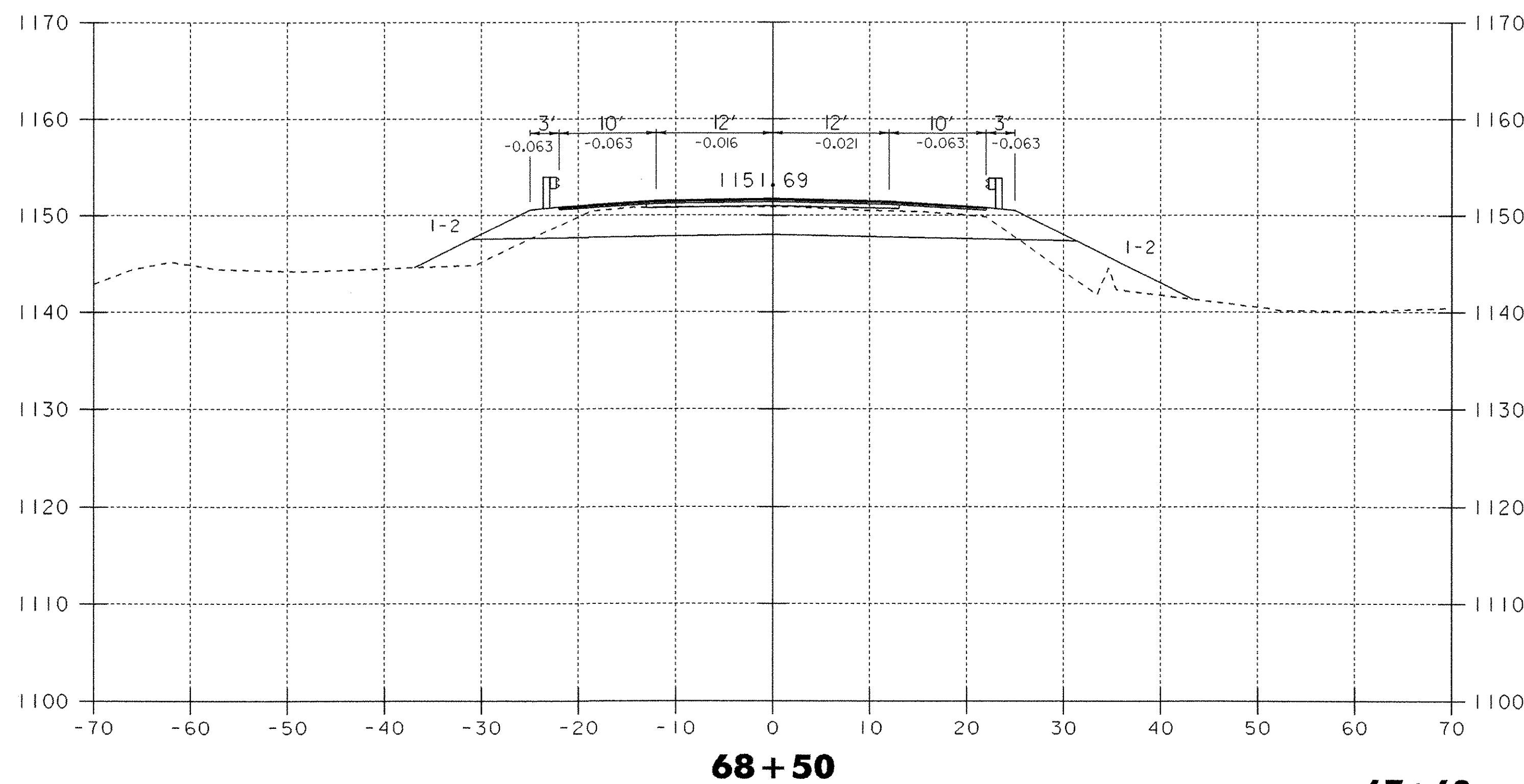
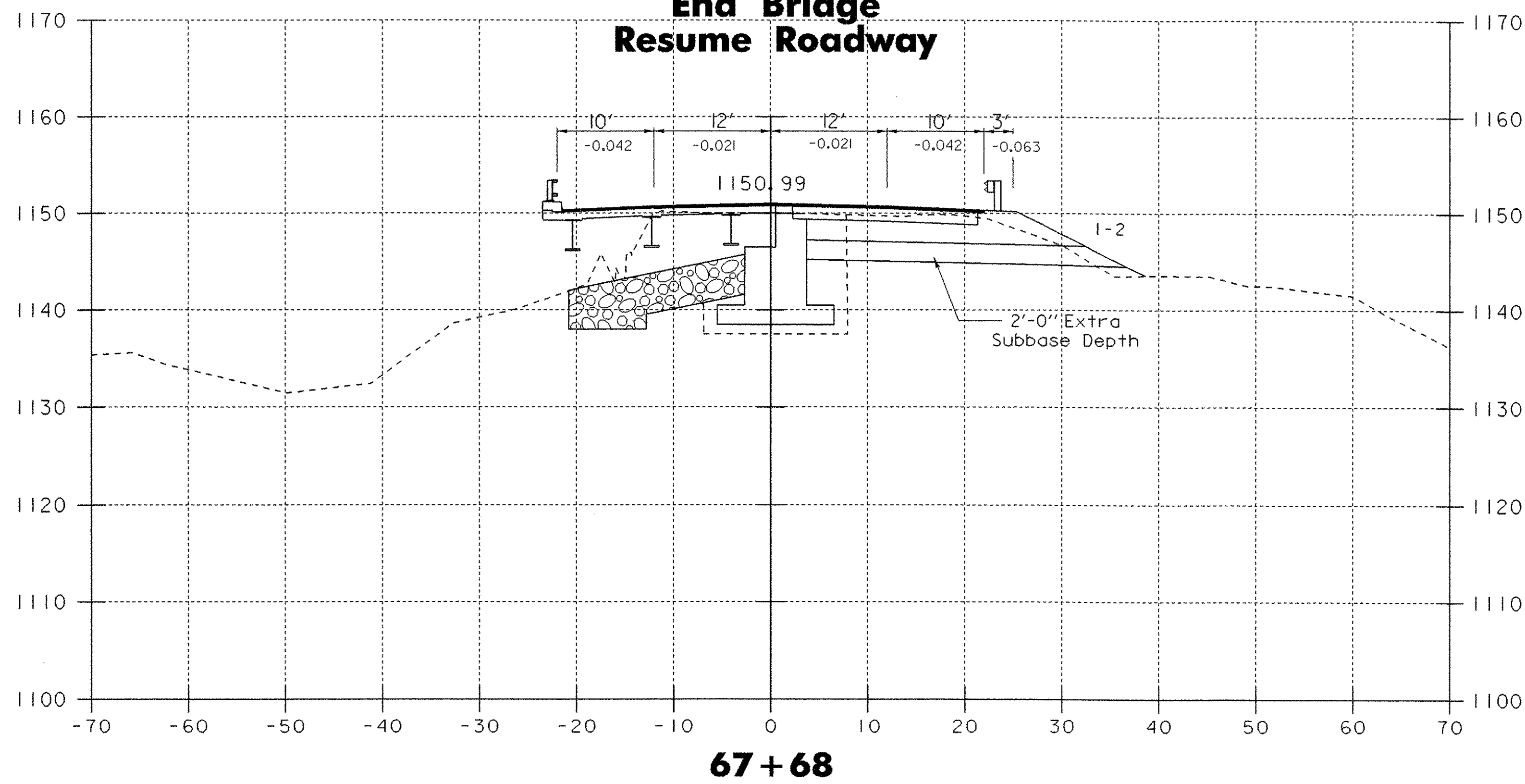
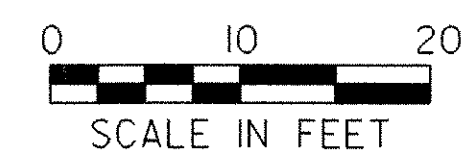


**67+70.54
End Bridge
Resume Roadway**



67+68 - 69+00

DATUM	
VERTICAL	NGVD 1929
HORIZONTAL	N/A



PROJECT: WOODFORD	PROJECT NO.: BHF 010-K(29)
DESIGN FILE NAME: /84e039/de039xs.dgn	PLOT DATE: 03-OCT-2005
IPARM FILE NAME: de039x08.1	SURVEY DATE: 12-88
SURVEYED BY: MOREAU	DRAWN BY: EVANS-MONGEON
SQUAD LEADER: PORTALUPI	SHEET: 93 OF 106