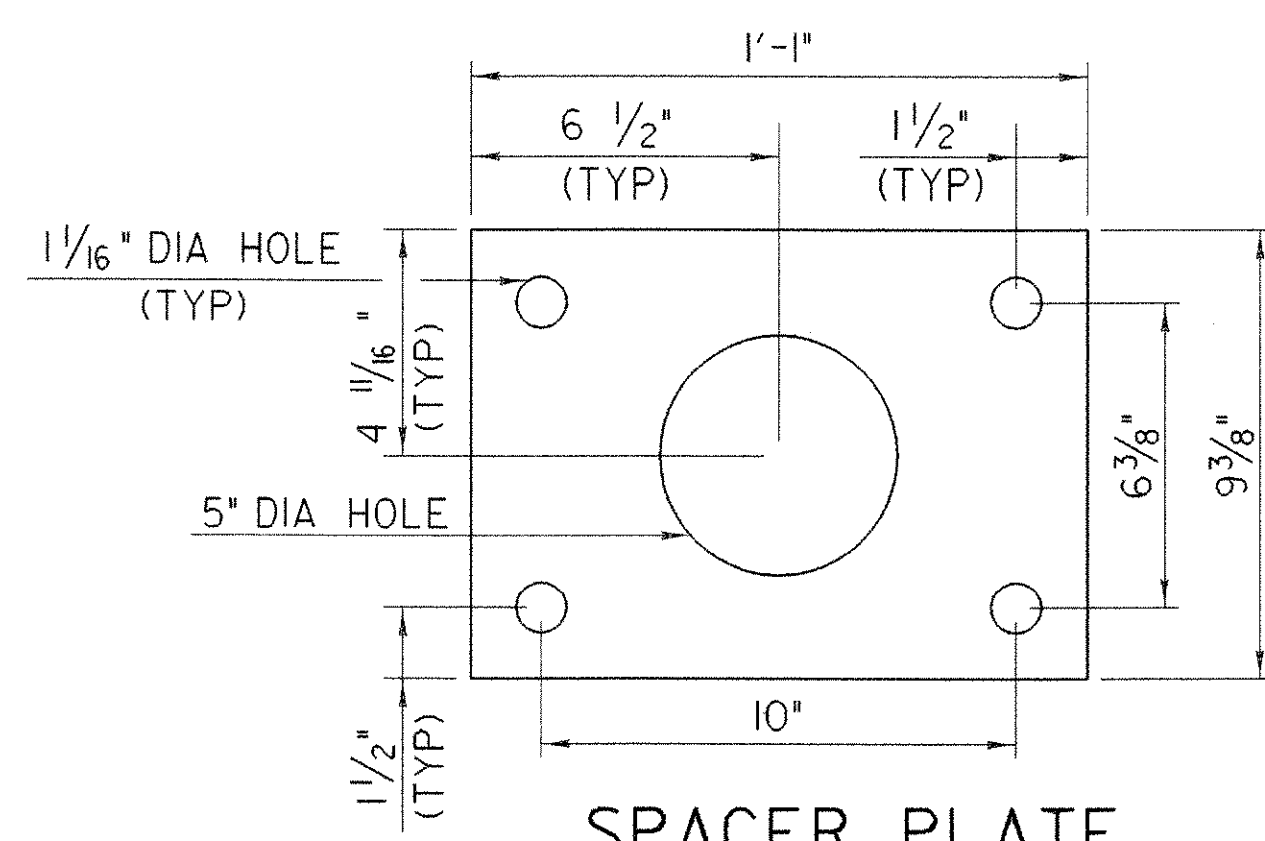
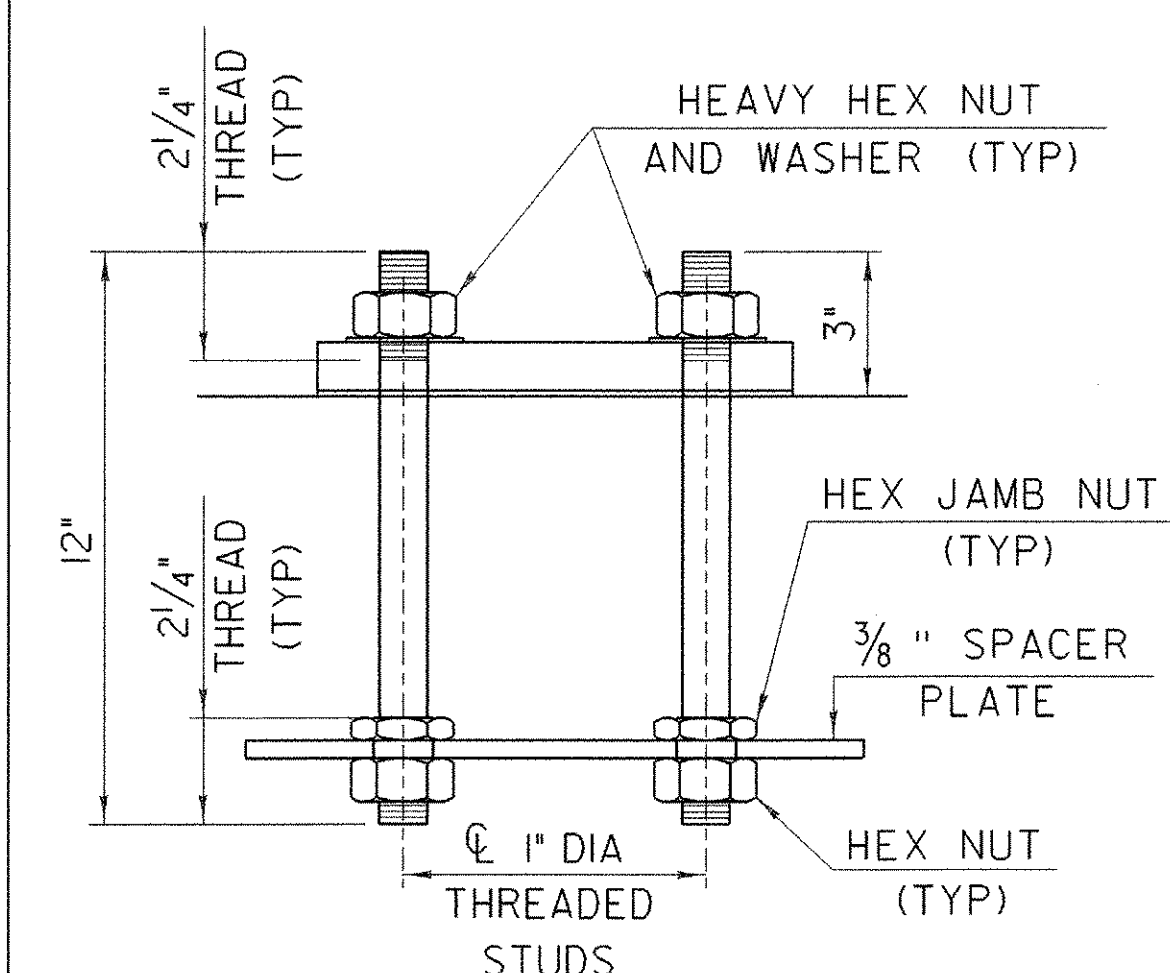


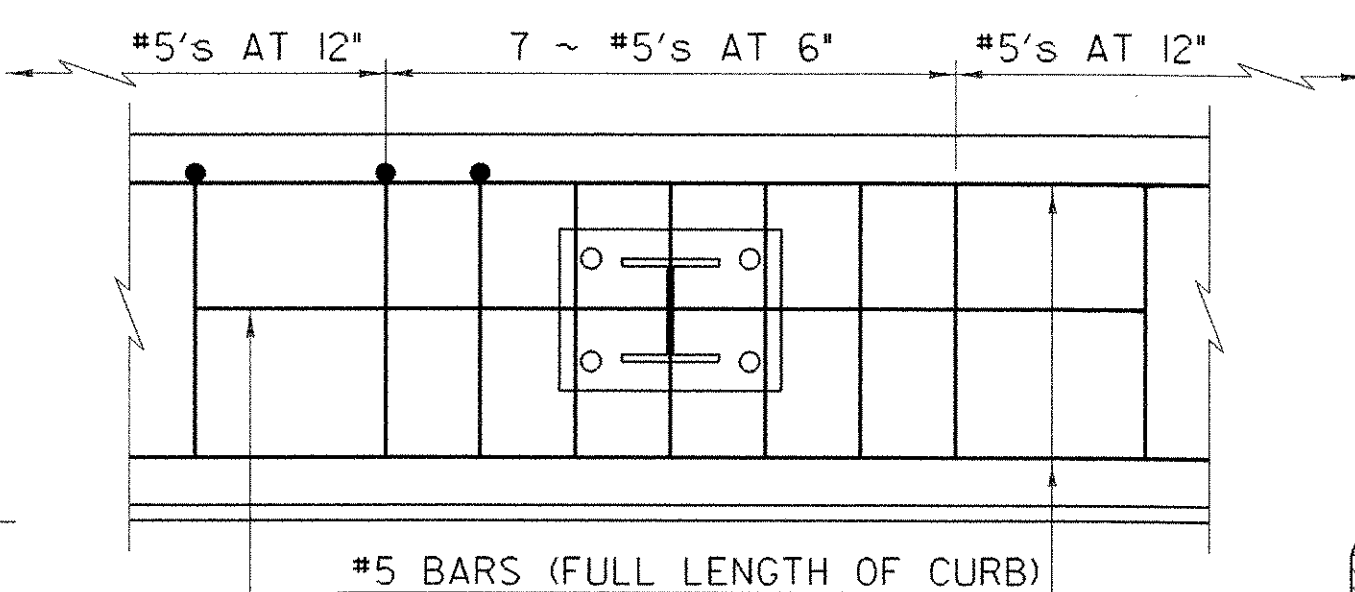
BRIDGE RAILING ELEVATION



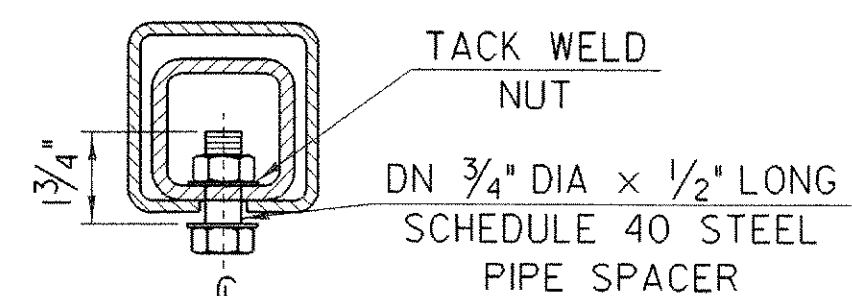
SPACER PLATE



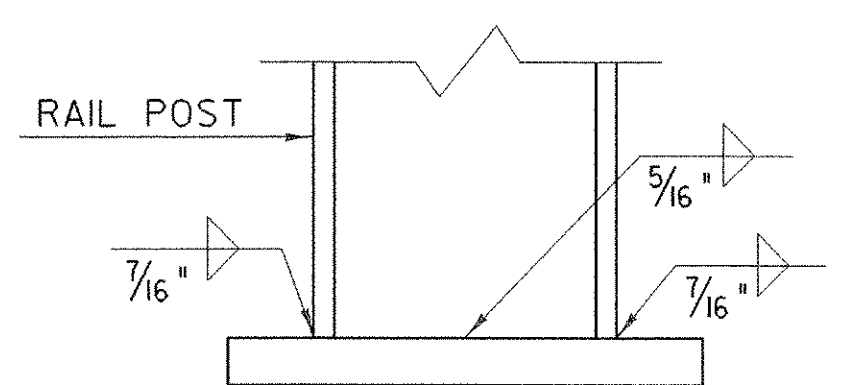
RAIL POST ANCHORAGE



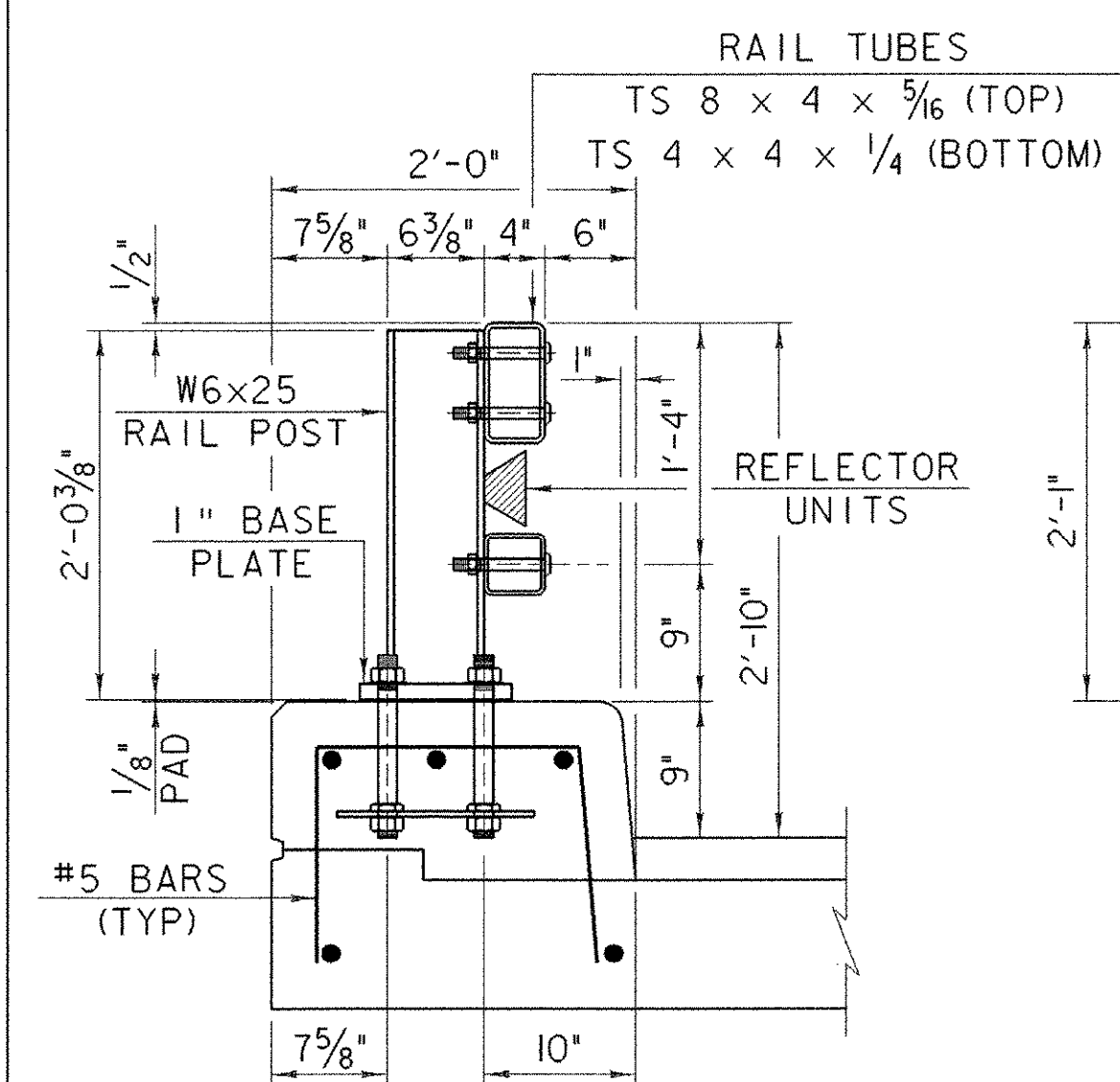
CURB REINFORCING PLAN



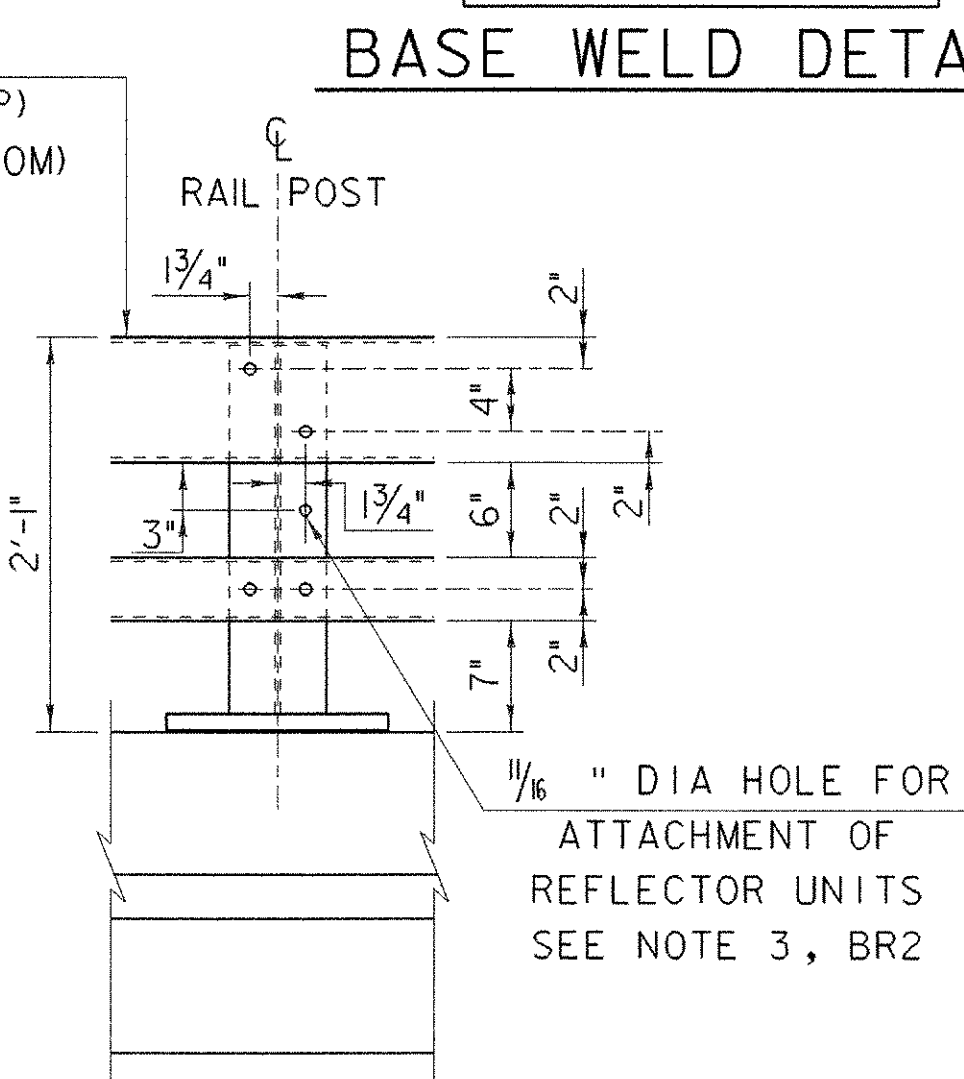
EXPANSION JOINT SECTION
 5/8" DIA TAPPED HOLE IN SPLICE TUBE AND 1 1/8" x 'C' SLOT IN RAIL TUBE FOR 5/8" DIA BOLT AND PLAIN HARDENED WASHER



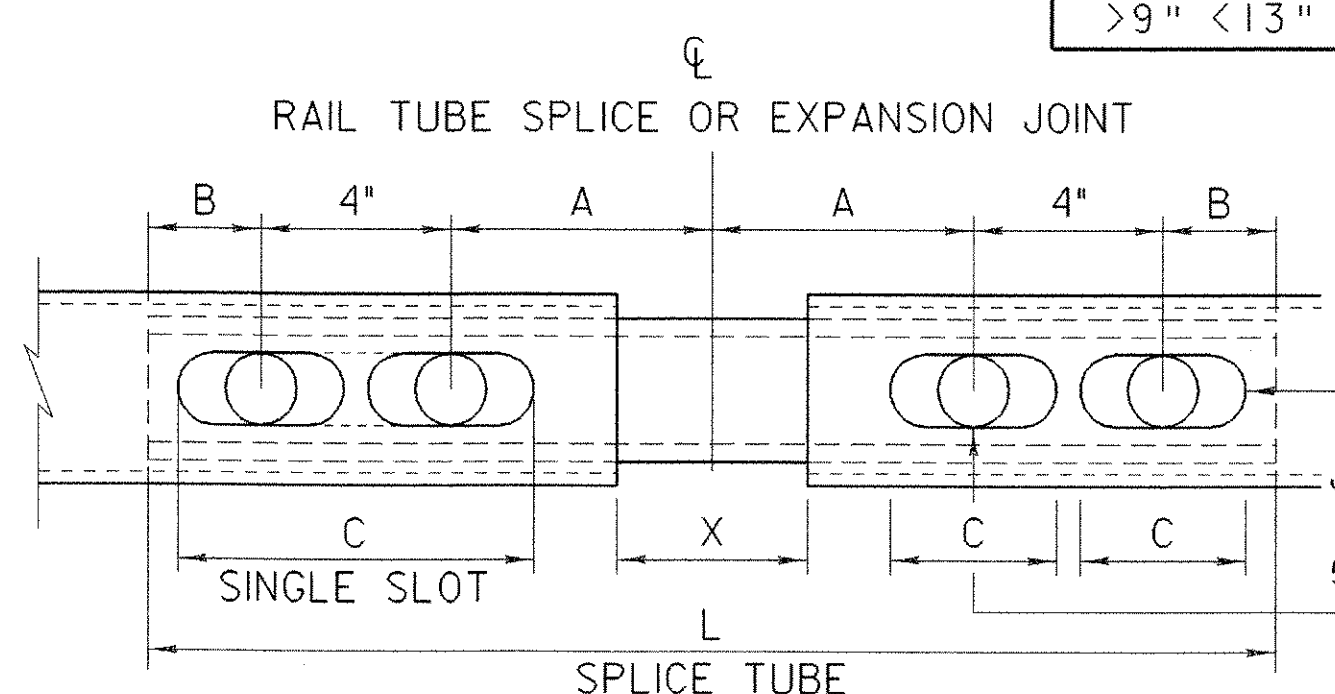
BASE WELD DETAIL



TYPICAL SECTION



ELEVATION



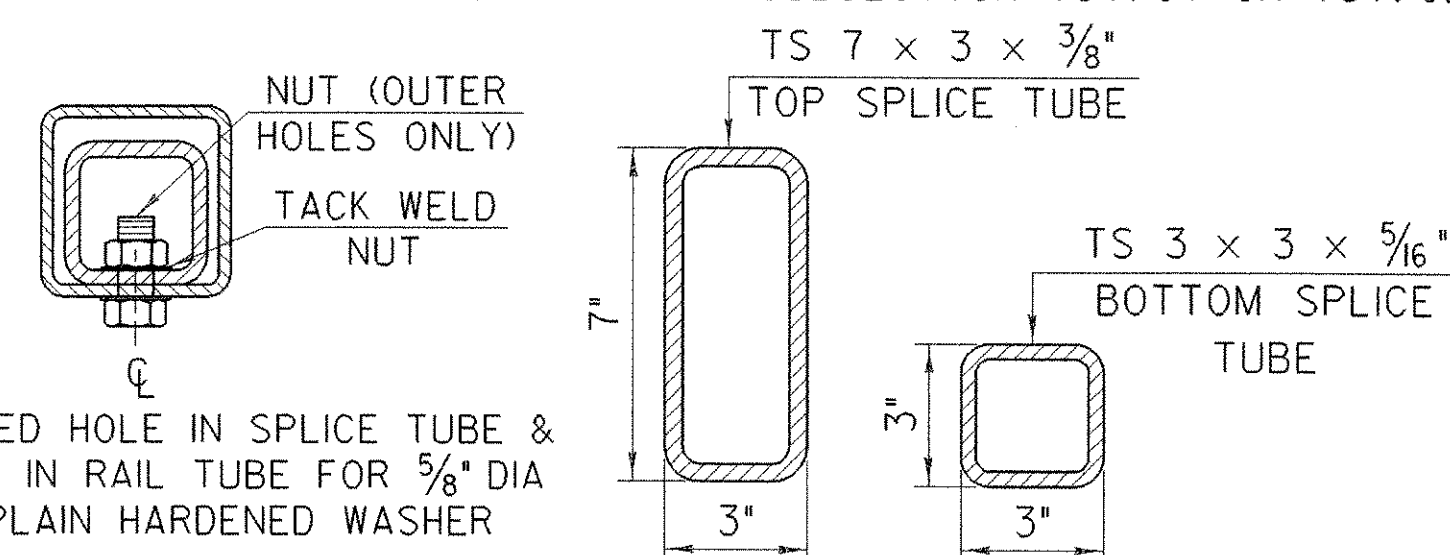
RAIL TUBE SPLICE AND RAIL EXPANSION JOINT DETAIL (BOTTOM VIEW)

SPLICE TABLE					
T	A	B	C	L	X
N/A	4"	2"	--	20"	3/4"
EXPANSION JOINT TABLE					
<4"	4"	2"	2 1/2"	20"	2 1/2"
>4" <6 1/2"	5 1/2"	2 3/8"	3 1/2"	23 3/4"	4"
>6 1/2" <9"	6 1/2"	3 3/8"	9"*	27 3/4"	5"
>9" <13"	8 1/2"	4 3/8"	11"*	33 3/4"	7"

T = TOTAL MOVEMENT BETWEEN BRIDGE EXPANSION JOINTS. SEE NOTE 6.
 * = SINGLE SLOT

3/4" DIA M164 (TYPE 1) ROUND HEAD BOLT

(WITH WASHER AND PREVAILING TORQUE TYPE LOCK NUT)
 (SEE NOTE #9)
 ONLY FULL DIAMETER BODY BOLTS WILL BE ALLOWED.



RAIL TUBE SPLICE SECTION

NOTES

- ALL WORK AND MATERIALS SHALL CONFORM TO THE PROVISIONS OF SECTION 525, RAILINGS OF THE STANDARD SPECIFICATION FOR CONSTRUCTION.
- TUBING AND POSTS SHALL MEET THE REQUIREMENTS OF SECTION 732, "RAILING MATERIALS OF THE STANDARD SPECIFICATIONS FOR CONSTRUCTION" EXCEPT THE DROP-WEIGHT TEAR TEST IN SECTION 732 SHALL NOT APPLY TO THE STRUCTURAL TUBING IN THIS STANDARD.
- ALL EXPOSED CUT OR SHEARED EDGES SHALL BE ROUNDED TO A 1/16" RADIUS AND BE FREE OF BURRS.
- RAIL POSTS SHALL BE SET NORMAL TO GRADE.
- SECTIONS OF RAIL TUBE SHALL BE ATTACHED TO A MINIMUM OF TWO (2) RAIL POSTS AND PREFERABLY TO AT LEAST FOUR (4) POSTS.
- RAIL TUBE EXPANSION JOINTS SHALL BE PROVIDED IN ANY RAIL BAY SPANNING A SUPERSTRUCTURE EXPANSION JOINT. EXPANSION JOINT WIDTH SHALL BE "X" AT 45°F AND WILL BE ADJUSTED IN THE FIELD BY THE ENGINEER FOR OTHER TEMPERATURES.
- ALL PARTS SHALL BE GALVANIZED AFTER FABRICATION IN ACCORDANCE WITH AASHTO M111, EXCEPT THAT HARDWARE SHALL MEET THE REQUIREMENTS OF AASHTO M232.
- RAIL POSTS ANCHORING NUTS SHALL BE TIGHTENED TO A SNUG FIT AND GIVEN AN ADDITIONAL ONE-EIGHTH TURN.
- RAIL TUBES SHALL BE ATTACHED USING 3/4" FULL DIAMETER BODY AASHTO M164 (TYPE 1) ROUND HEAD BOLTS INSERTED THROUGH THE FACE OF THE TUBE. HOLES IN POSTS SHALL BE 1/16" LARGER THAN THE BOLT SIZE.
- HOLES IN RAILS FOR RAIL TUBE ATTACHMENT MAY BE FIELD-DRILLED. HOLES SHALL BE COATED WITH AN APPROVED ZINC-RICH PAINT PRIOR TO ERECTION.
- IF THERE IS A CONFLICT BETWEEN THESE STANDARD DETAILS AND THE DESIGN, THE REQUIREMENTS OF THE DESIGN SHALL BE FOLLOWED.
- ANY BENDING OF RAIL SHALL BE BY SHOP PROCEDURE ONLY.
- THE FABRICATOR SHALL SUBMIT SHOP DRAWINGS INCLUDING WELDING PROCEDURES TO THE STRUCTURES SECTION FOR APPROVAL IN ACCORDANCE WITH THE PROVISION OF 506.04, SHOP DRAWINGS. ALL WELDING SHALL CONFORM WITH SECTION 506.10.
- RAIL POSTS AND BASE PLATES SHALL BE TESTED FOR IMPACT PROPERTIES IN ACCORDANCE WITH ASTM A-370 CHARPY IMPACT TESTING USING TYPE A SPECIMEN.

MATERIALS

RAIL TUBES.....ASTM A500, GRADE B OR ASTM A501
 RAIL POSTS AND BASE PLATES.....ASTM A709A709M, GRADE 50
 ALL OTHER SHAPES AND PLATES.....ASTM A709/A709M, GRADE 36
 ANCHOR STUDS.....ASTM A449
 ALL OTHER BOLTS (UNLESS NOTED).....AASHTO M164, TYPE 1
 NUTS FOR AASHTO M164 BOLTS AND FOR ANCHOR STUDS SHALL COMPLY WITH AASHTO M291 (ASTM A563).
 WASHERS SHALL COMPLY WITH AASHTO M293 (ASTM F436) SPECIFICATIONS.
 1/8" PAD SHALL COMPLY WITH STANDARD SPECIFICATION SUBSECTION 731.01 OR 731.02.

BRIDGE RAILING - NETC 2 RAIL

PROJECT NAME: WOODFORD	PLOT DATE: 03-OCT-2005
PROJECT NUMBER: BHF 010-I(29)	DRAWN BY: R.VANHAMBURG
FILE NAME: /84e039/se039rail.dgn	DESIGNED BY: M.EVANS-MONGEON
PROJECT LEADER: A.PORTALUPI	CHECKED BY: MEM
de039nr1.l	SHEET 79 OF 106