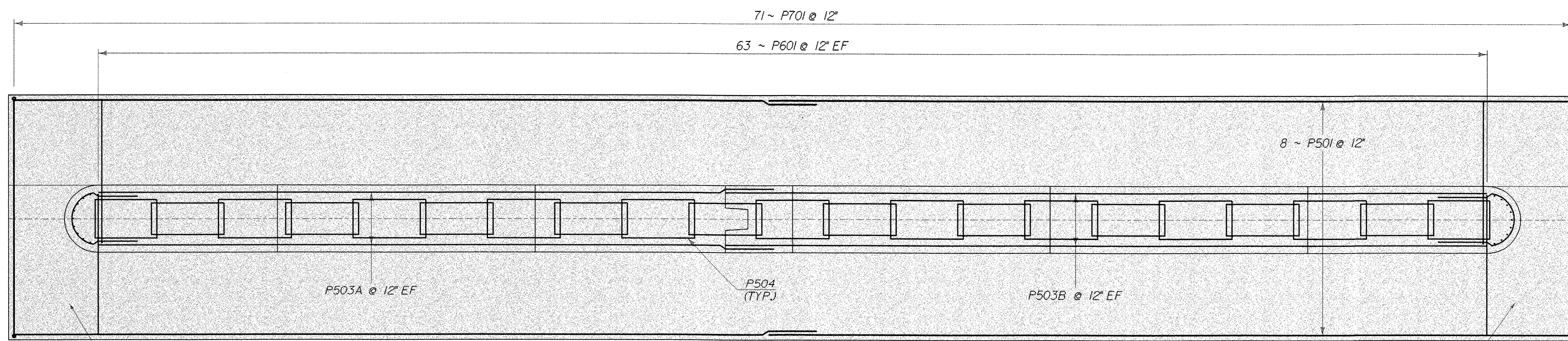


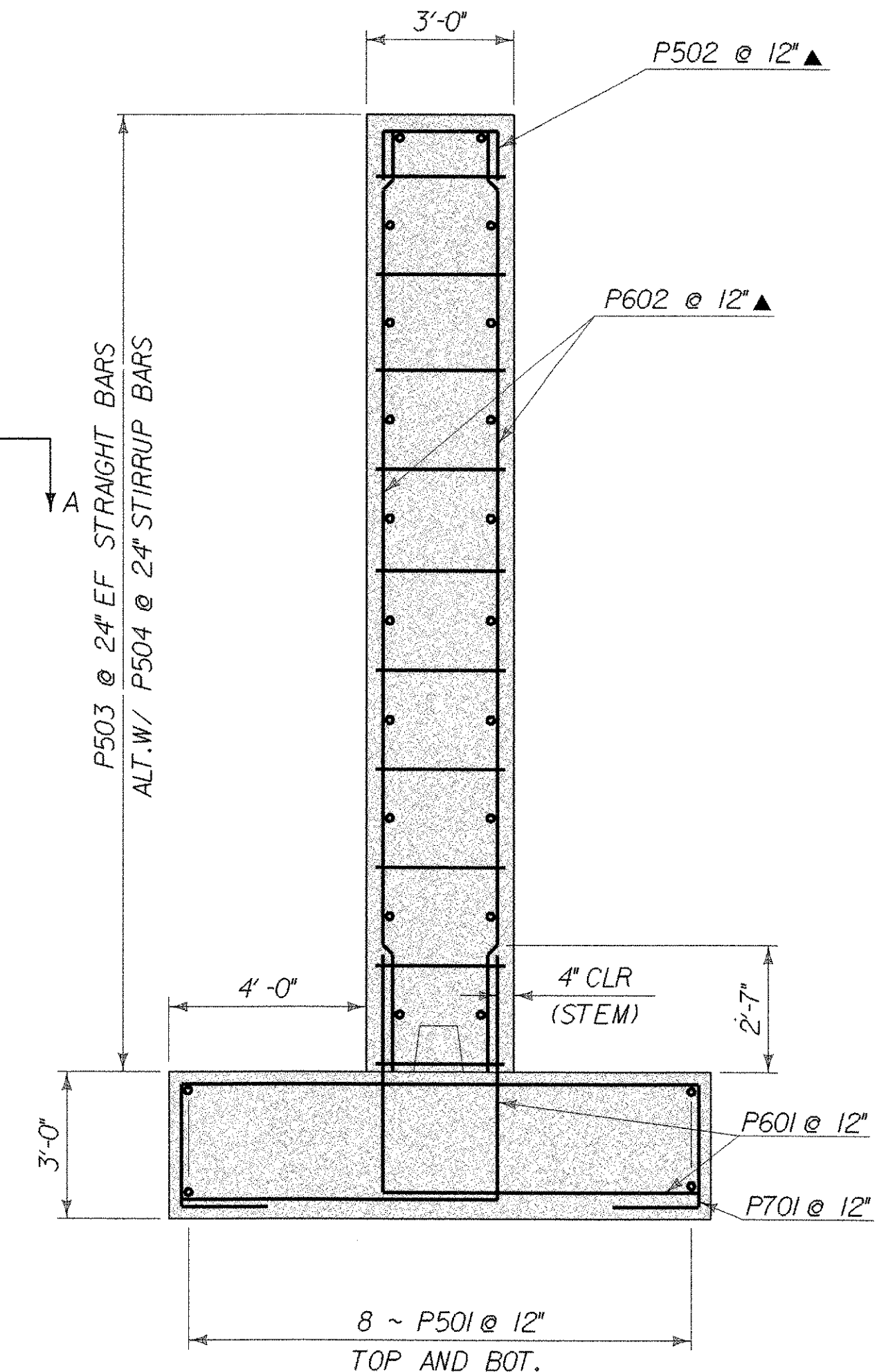
PIER ELEVATION

SCALE 3/8" = 1'-0"  
 1 0 1 2 3 4



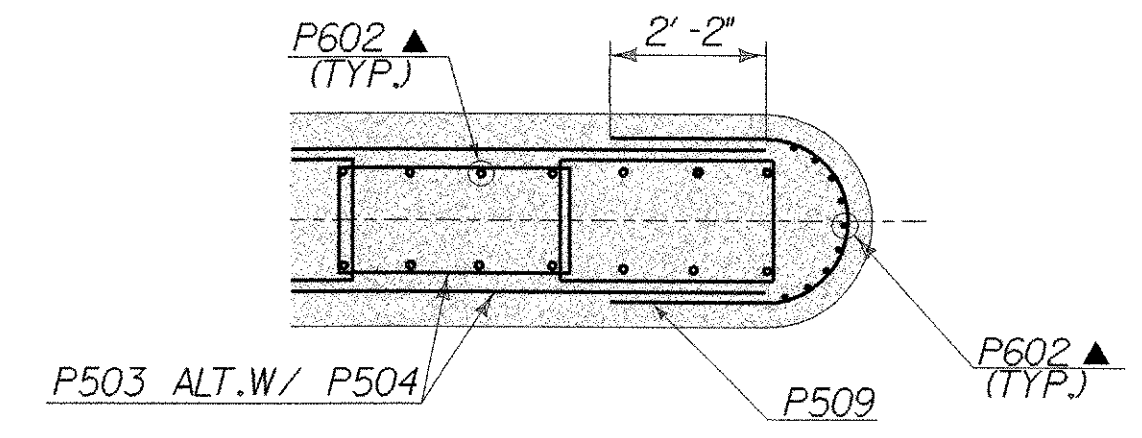
PIER REINFORCING

SCALE 3/8" = 1'-0"  
 1 0 1 2 3 4



PIER TYPICAL SECTION

SCALE 3/8" = 1'-0"  
 1 0 1 2 3 4



SECTION A-A

SCALE 3/8" = 1'-0"  
 1 0 1 2 3 4

<b>STATE OF VERMONT AGENCY OF TRANSPORTATION</b>	
Town Of <b>WOODFORD</b>	Bridge No. <b>BR 11</b>
Highway No. <b>VT 9</b>	Log Sta. _____ Surv. Sta. _____
<b>VT 9 OVER ROARING BRANCH OF WALLOOMSAC PIER REINFORCING</b>	
Designed By <b>M.EVANS-MONGEON</b>	Drawn By <b>R.VANHAMBURG</b>
Checked By <b>M.EVANS-MONGEON</b>	Bridge Design Supervisor <b>A.PORTALUPI</b>
PROJECT <b>WOODFORD</b>	PROJECT NO. <b>BHF 010-(129)</b>
I.G.C. Info. <b>/84e039/structures/se039pier.dgn</b>	se039prt.j
Bridge Sheet No. _____	Sheet <b>76</b> of <b>106</b>