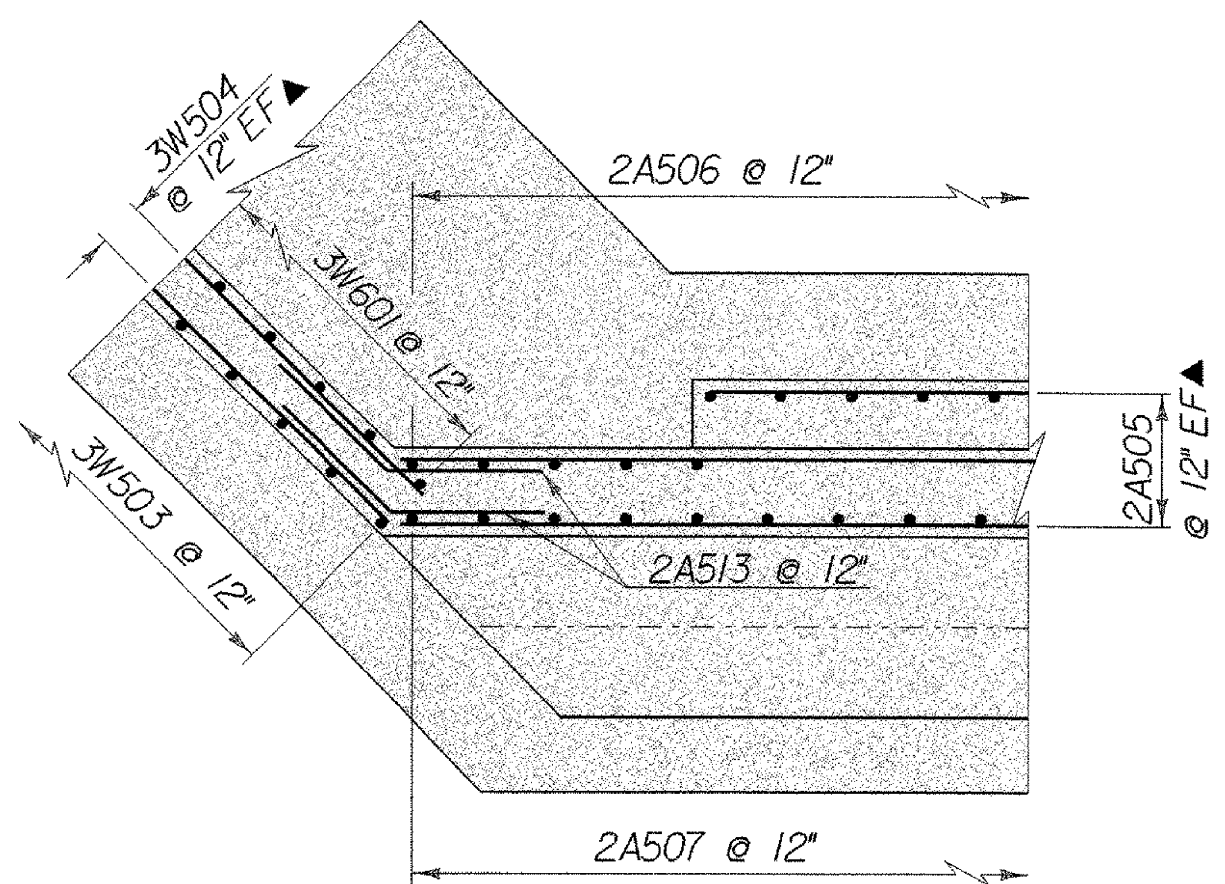
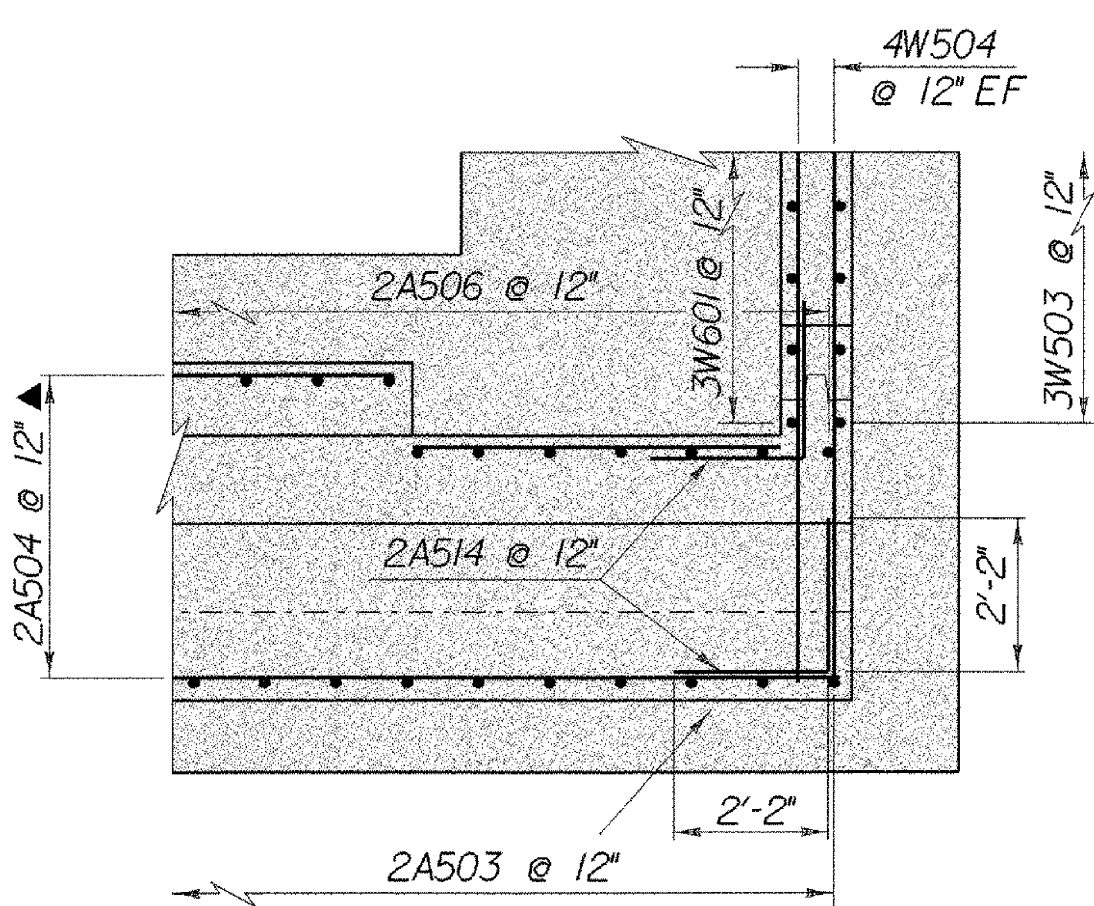


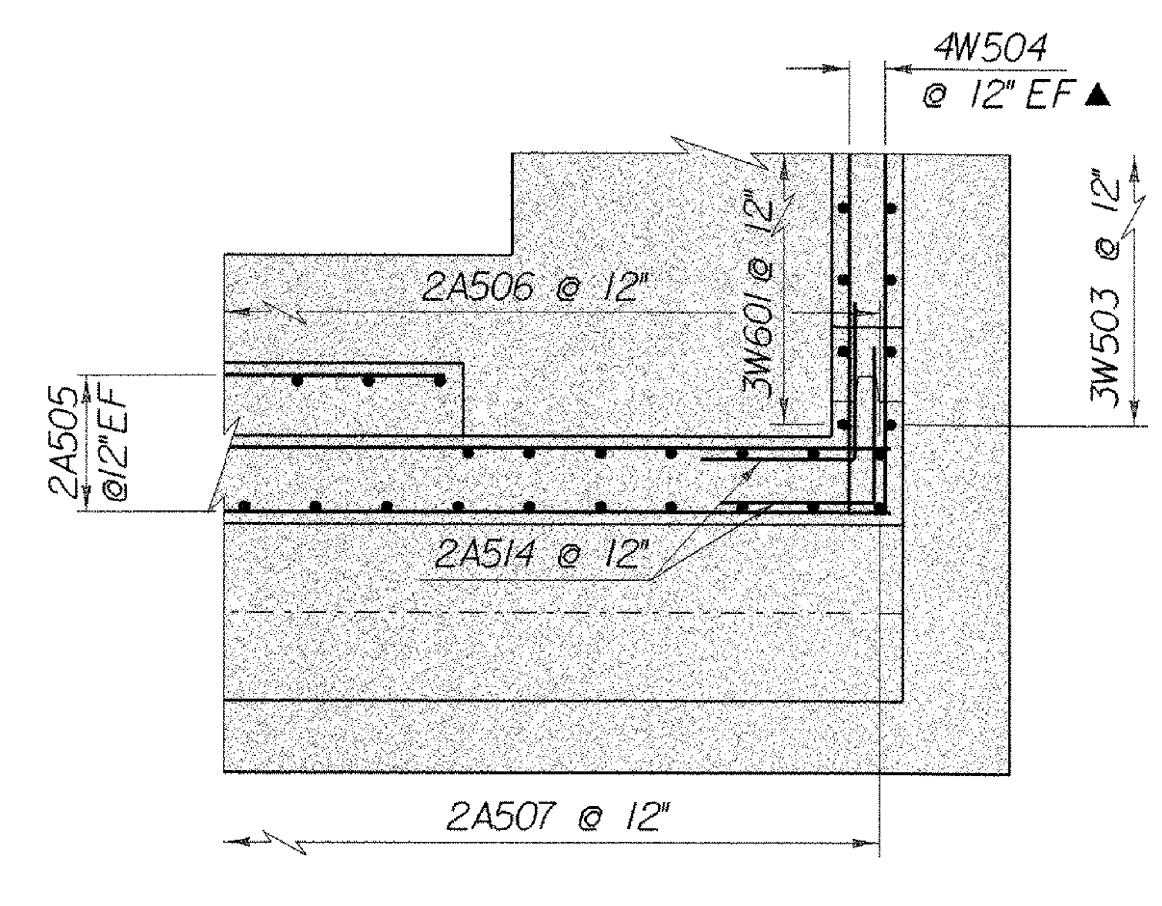
SECTION A-A
CORNER DETAIL WINGWALL NO.3



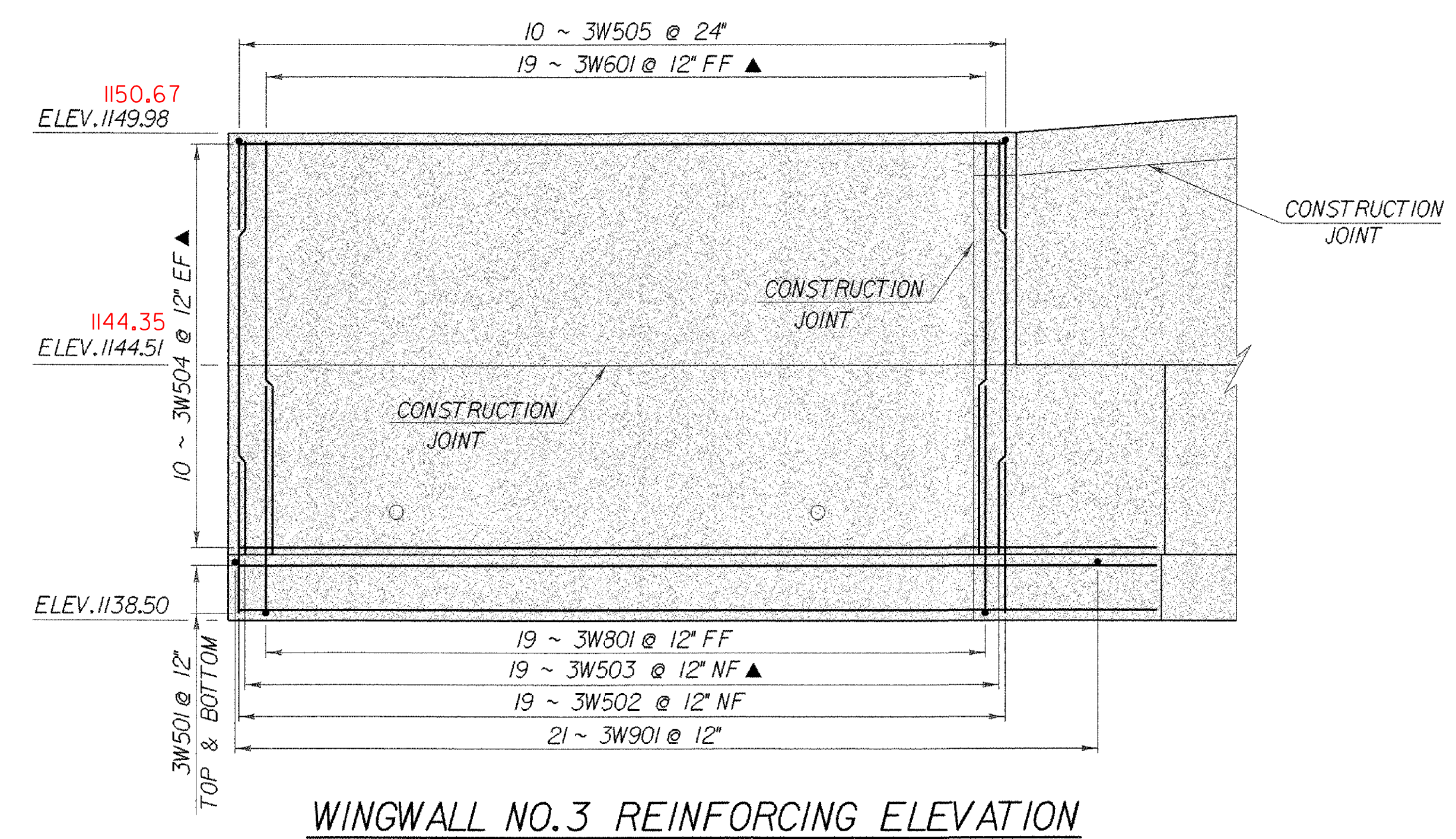
SECTION B-B
CORNER DETAIL WINGWALL NO.3



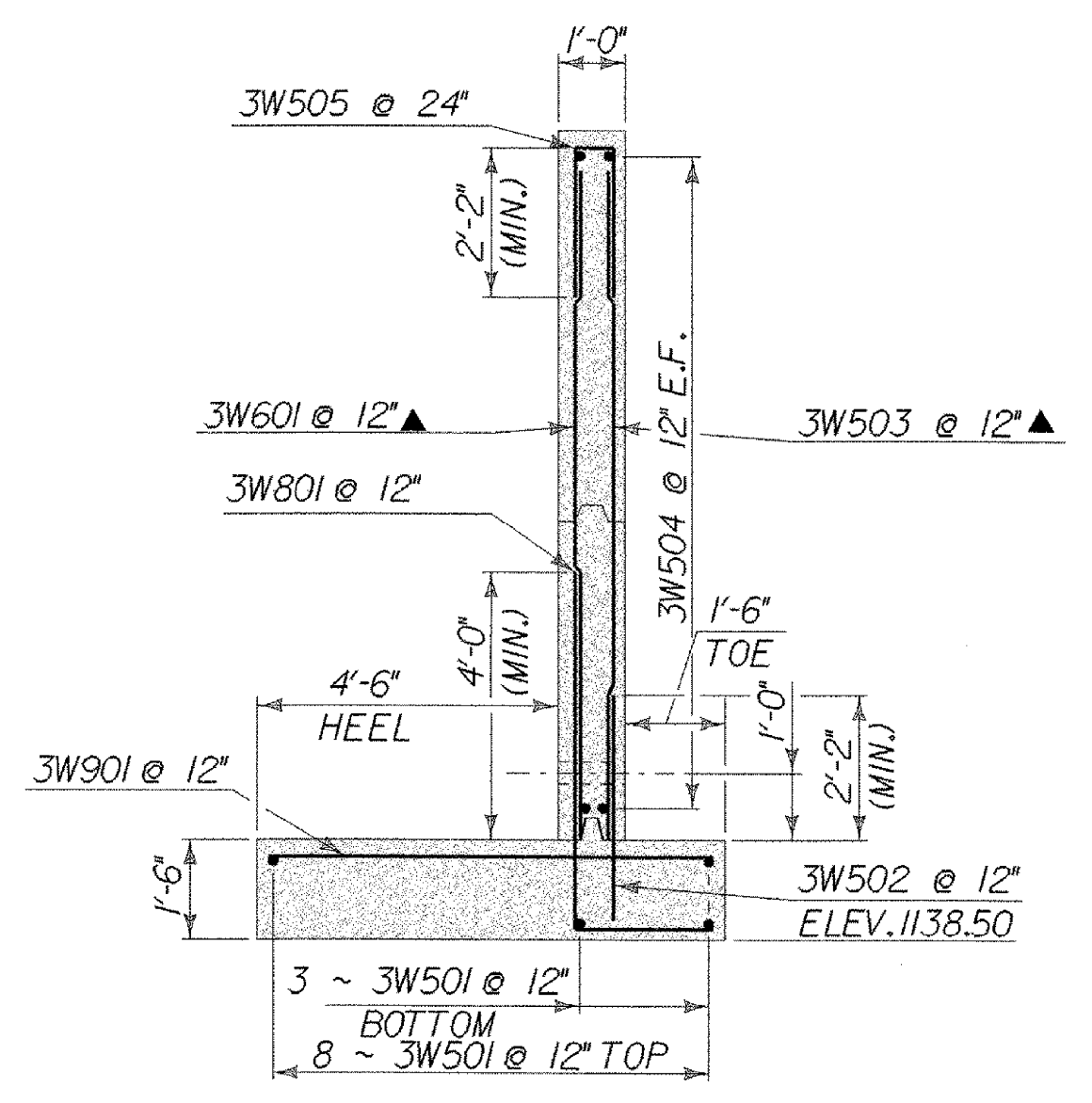
SECTION A-A
CORNER DETAIL WINGWALL NO.4



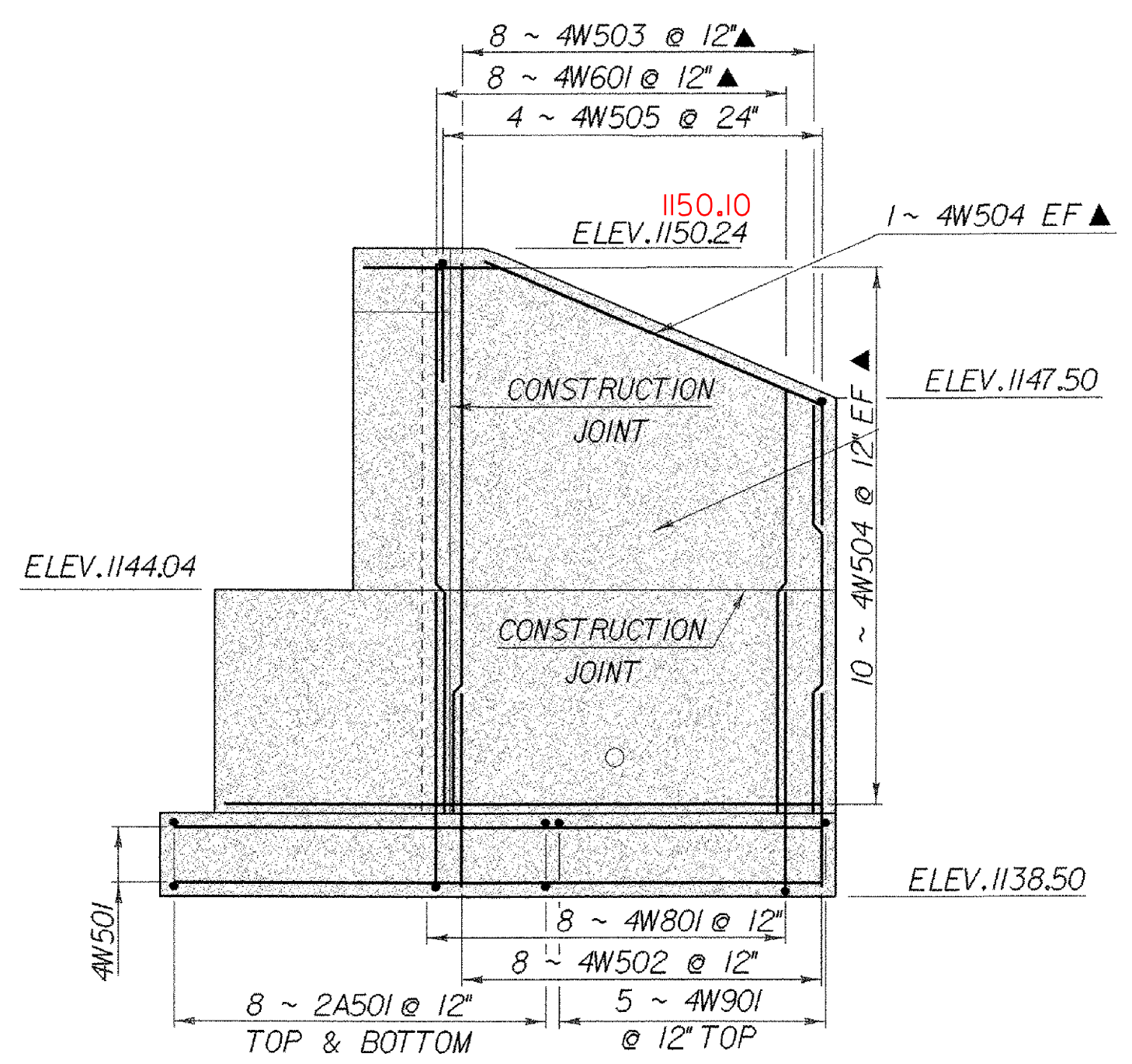
SECTION B-B
CORNER DETAIL WINGWALL NO.4



WINGWALL NO.3 REINFORCING ELEVATION

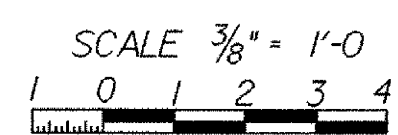


WINGWALL NO.3 TYPICAL
(WINGWALL NO.4 SIMILAR)



WINGWALL NO.4 REINFORCING ELEVATION

NOTE:
 NF - NEAR FACE
 FF - FAR FACE
 EF - EACH FACE
 ▲ - CUT TO FIT IN FIELD
 3" CLR. UNLESS OTHERWISE SPECIFIED ON THE PLANS.



STATE OF VERMONT AGENCY OF TRANSPORTATION			
Town Of	WOODFORD	Bridge No.	BR 11
Highway No.	VT 9	Log Sta.	
		Surv. Sta.	
VT 9 OVER ROARING BRANCH OF WALLOMSAC WINGWALL 3&4 REINFORCING & CORNER DETAILS			
Designed By	M.EVANS-MONGEON	Drawn By	R.PELLETT
Checked By	M.EVANS-MONGEON	Date	
		Bridge Design Supervisor	A.PORTALUPI
PROJECT	WOODFORD	PROJECT NO.	BHF 010-(129)
I.G.C. Info.	/84e039/structures/se039subdgn		se039wr3j
Bridge Sheet No.		Sheet	74 of 106