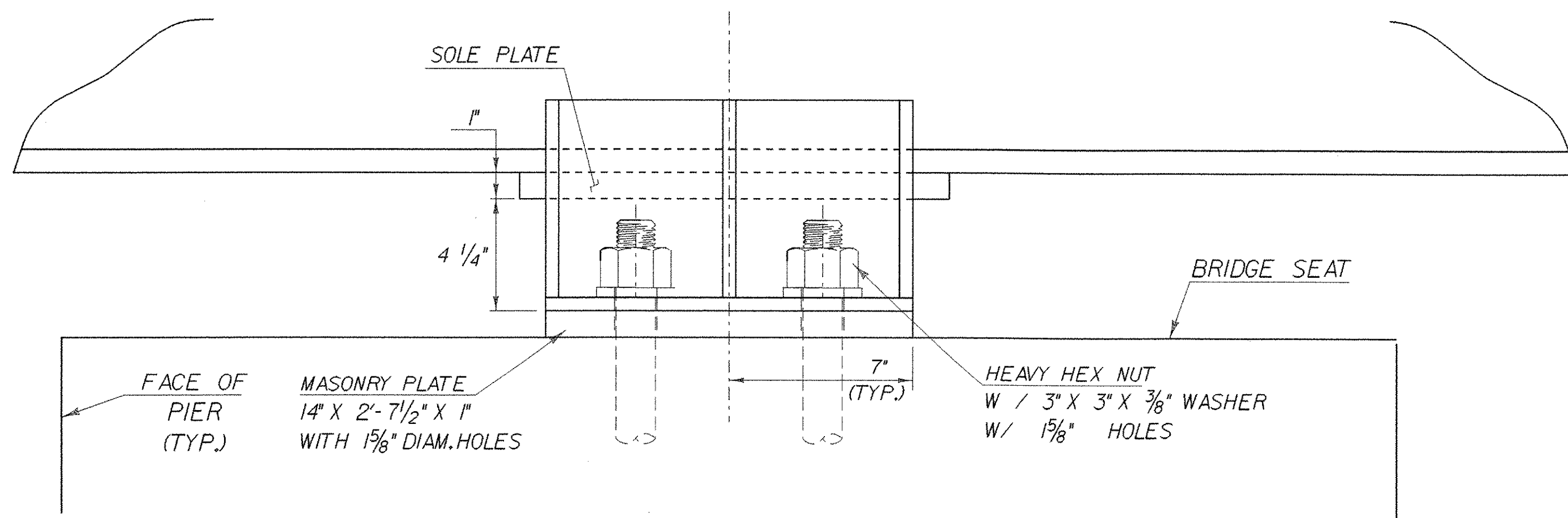
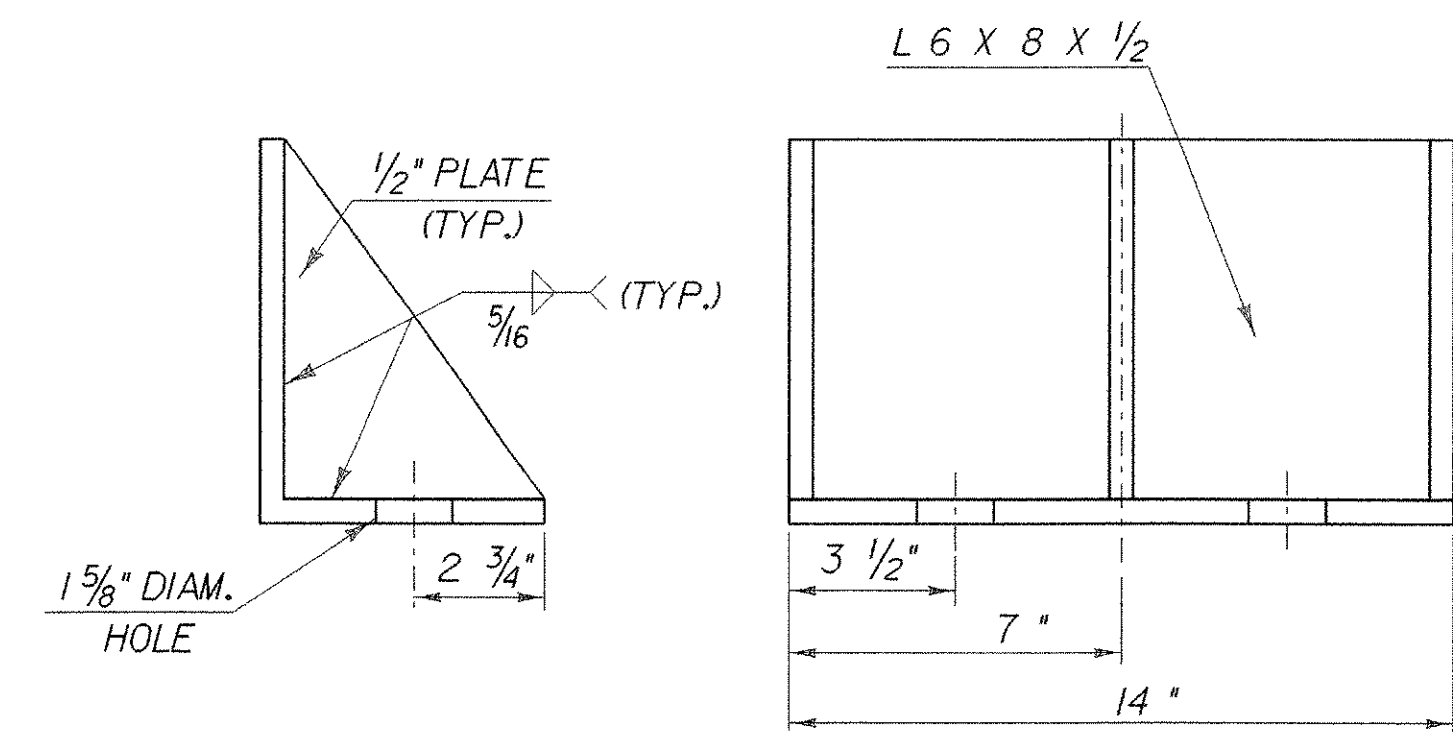


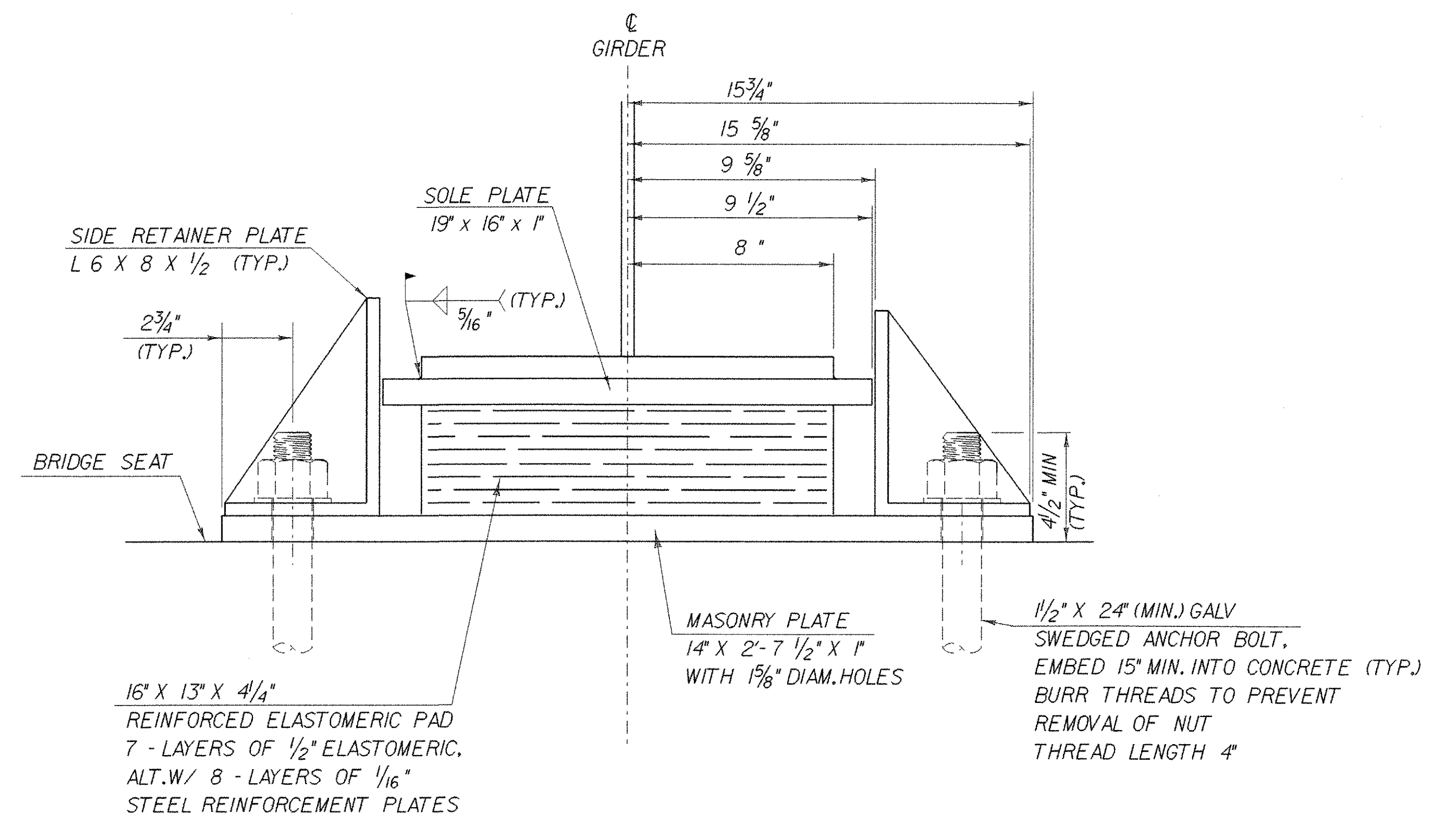
PLAN
SCALE 3" = 1'-0"



SIDE ELEVATION
SCALE 3" = 1'-0"



SIDE RETAINER
SCALE 3" = 1'-0"



FRONT VIEW
SCALE 3" = 1'-0"

STATE OF VERMONT AGENCY OF TRANSPORTATION		
Town Of	WOODFORD	Bridge No. BR 11
Highway No.	VT 9	Log Sta. Surv. Sta.
VT 9 OVER ROARING BRANCH OF WALLOOMSAC		
BEARING DEVICE DETAILS - EXP. PIER 2		
Designed By	M. EVANS-MONGEON	Drawn By R. VANHAMBURG
Checked By	Date	Bridge Design Supervisor
M. EVANS-MONGEON		A. PORTALUPI Date
PROJECT	WOODFORD	PROJECT NO. BHF 010-1(29)
I.G.C. Info. /84b039/structures/se039sup.dgn		se039bg2j
Bridge Sheet No.		Sheet 68 of 106