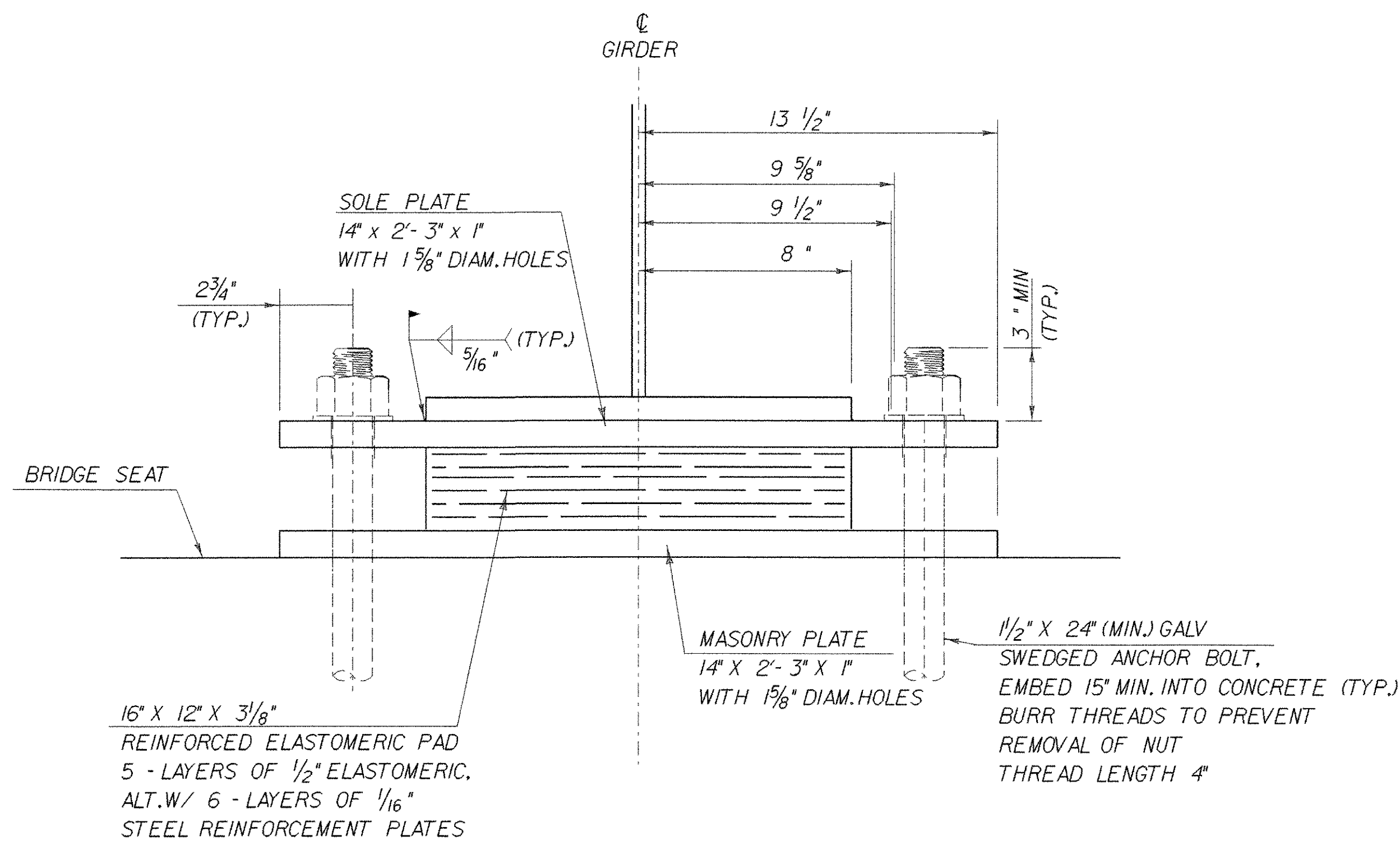
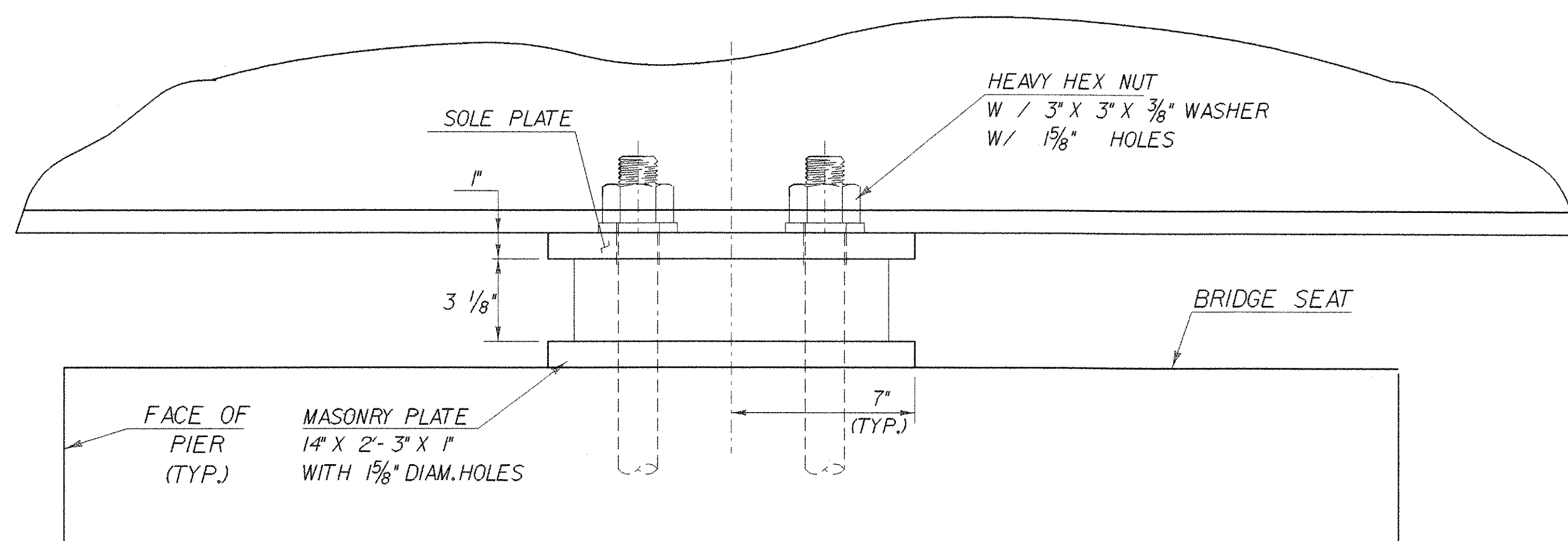


**PLAN**  
SCALE 3" = 1'-0"



**FRONT VIEW**

SCALE 3" = 1'-0"



**SIDE ELEVATION**  
SCALE 3" = 1'-0"

**STATE OF VERMONT  
AGENCY OF TRANSPORTATION**

|             |                 |            |       |
|-------------|-----------------|------------|-------|
| Town Of     | <b>WOODFORD</b> | Bridge No. | BR 11 |
| Highway No. | VT 9            | Log Sta.   |       |
|             |                 | Surv. Sta. |       |

**VT 9 OVER ROARING BRANCH OF WALLOOMSAC  
BEARING DEVICE DETAILS - FIXED PIER I**

|                 |                 |                          |              |
|-----------------|-----------------|--------------------------|--------------|
| Designed By     | M.EVANS-MONGEON | Drawn By                 | R.VANHAMBURG |
| Checked By      | Date            | Bridge Design Supervisor | Date         |
| M.EVANS-MONGEON |                 | A.PORTALUPI              |              |

|         |                 |             |                      |
|---------|-----------------|-------------|----------------------|
| PROJECT | <b>WOODFORD</b> | PROJECT NO. | <b>BHF 010-1(29)</b> |
|---------|-----------------|-------------|----------------------|

|                  |                                 |                 |
|------------------|---------------------------------|-----------------|
| I.G.C. Info.     | /B44039/structures/se039sup.dgn | se039bglj       |
| Bridge Sheet No. |                                 | Sheet 67 of 106 |