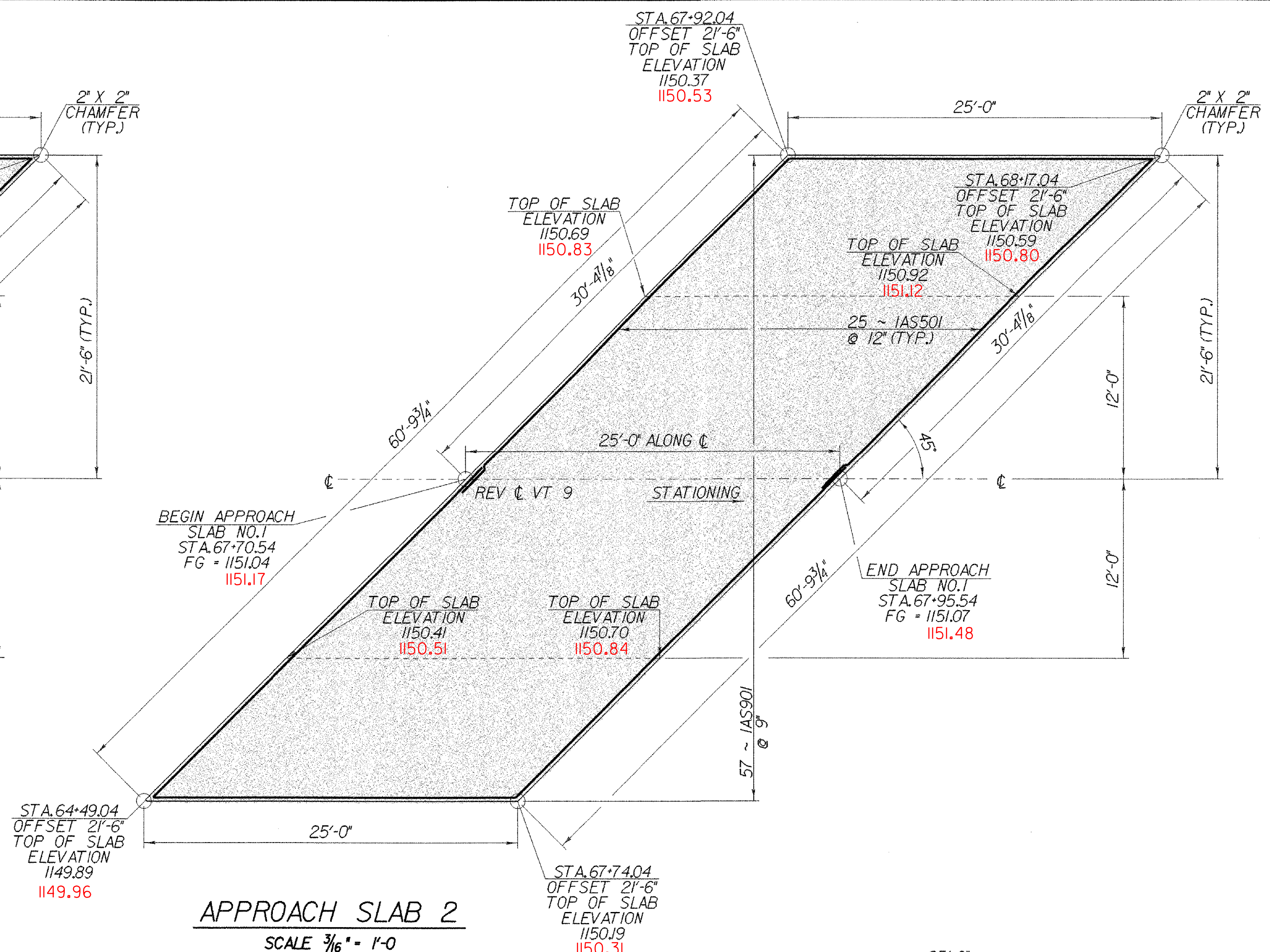


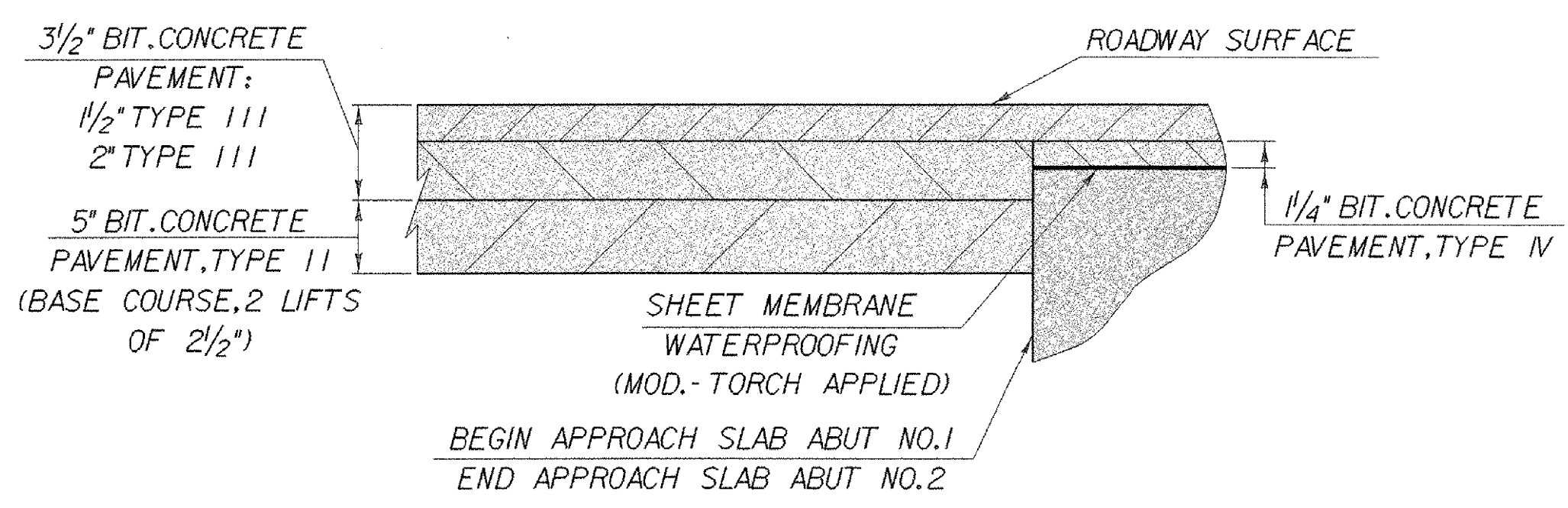
**APPROACH SLAB 1**

SCALE 3/16" = 1'-0"  
1 0 2 4 6 8

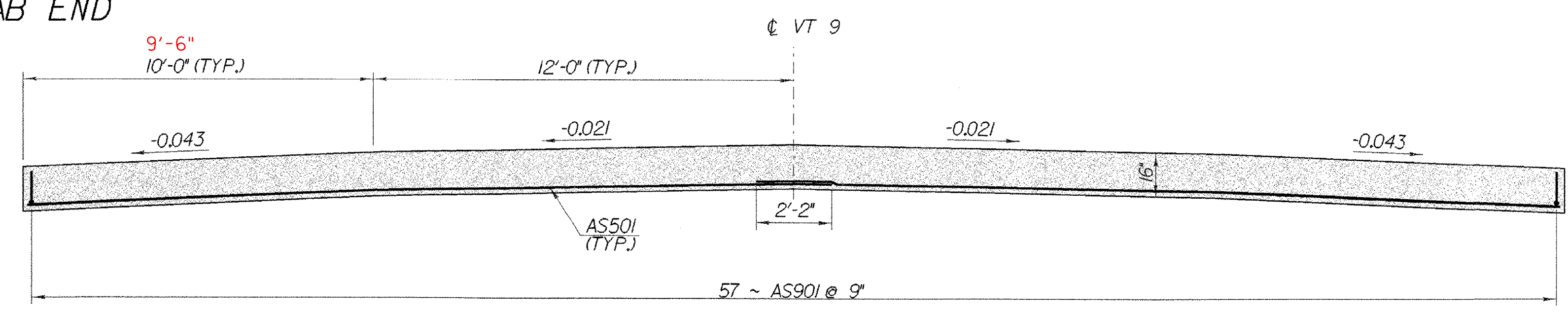


**APPROACH SLAB 2**

SCALE 3/16" = 1'-0"  
1 0 2 4 6 8

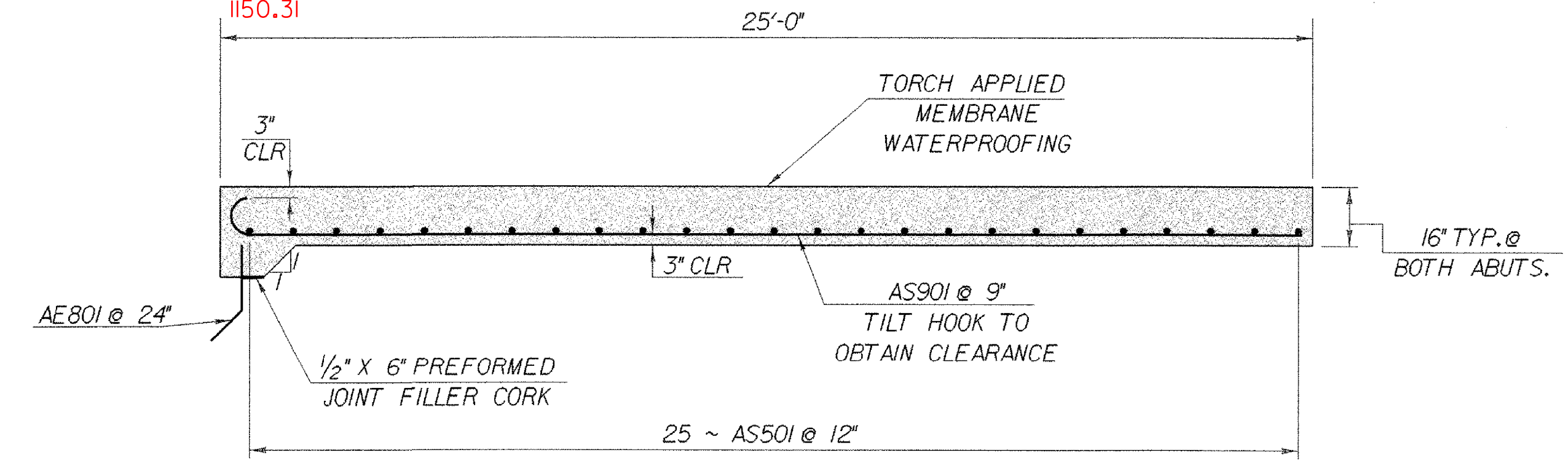


**DETAIL FOR SHEET MEMBRANE AT APPROACH SLAB END**  
NTS



**APPROACH SLAB TYPICAL SECTION**

SCALE 3/8" = 1'-0"  
1 0 1 2 3 4



SCALE 3/8" = 1'-0"  
1 0 1 2 3 4

<b>STATE OF VERMONT AGENCY OF TRANSPORTATION</b>	
Town Of <b>WOODFORD</b>	Bridge No. <b>2</b>
Highway No. <b>VT RTE 9</b>	Log Sta. Surv. Sta.
<b>VT RTE.9 OVER ROARING BRANCH APPROACH SLAB DETAILS</b>	
Designed By <b>R.PELLETT</b>	Drawn By <b>R.PELLETT</b>
Checked By <b>M.EVANS-MONGEON</b>	Date A.PORTALUPI Date
PROJECT <b>WOODFORD</b>	PROJECT NO. <b>BHF 010-1129</b>
I.G.C. Info. /846039/structures/se039supdgn se039aps.j	
Bridge Sheet No.	Sheet <b>62</b> of <b>106</b>