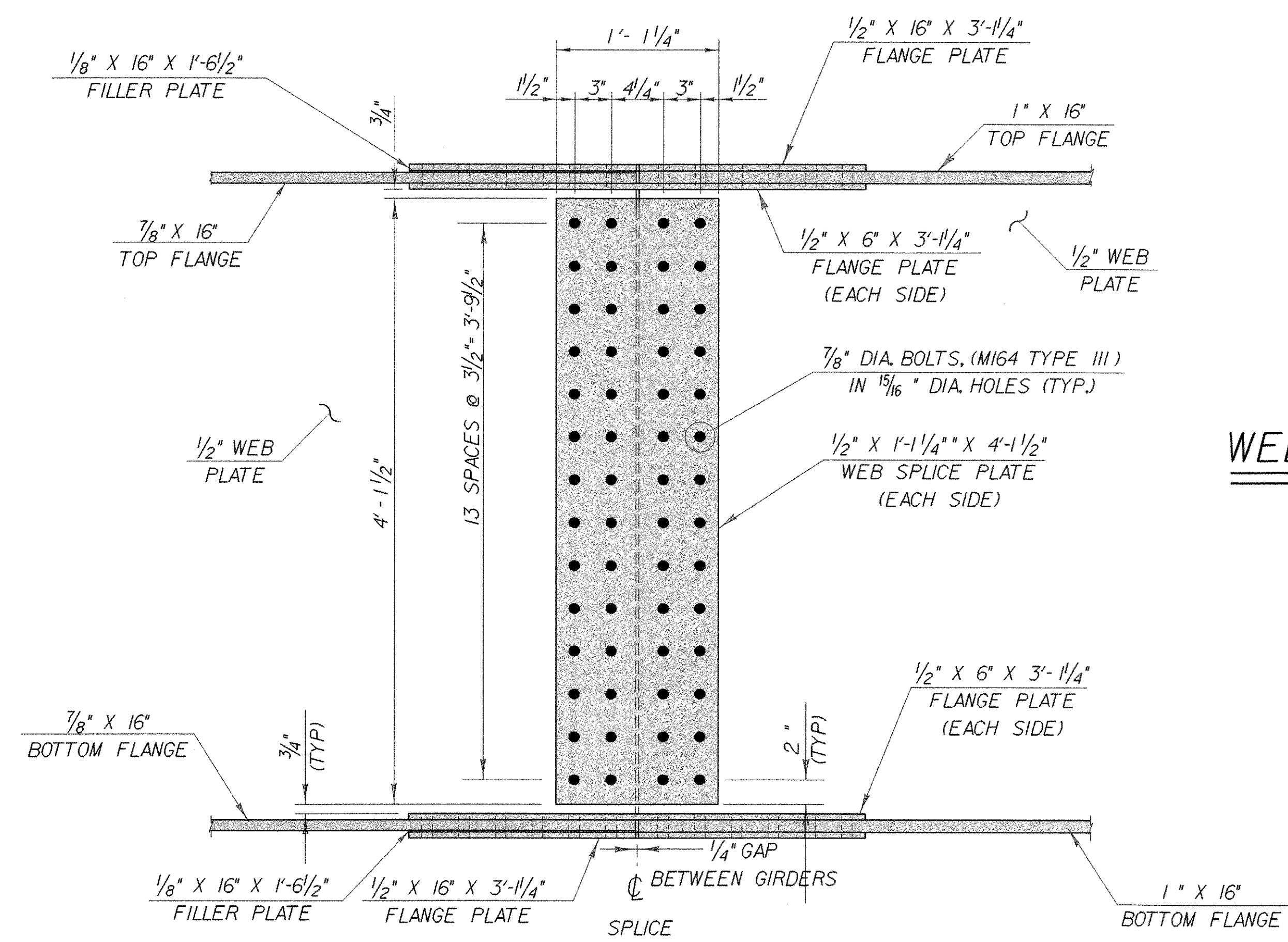
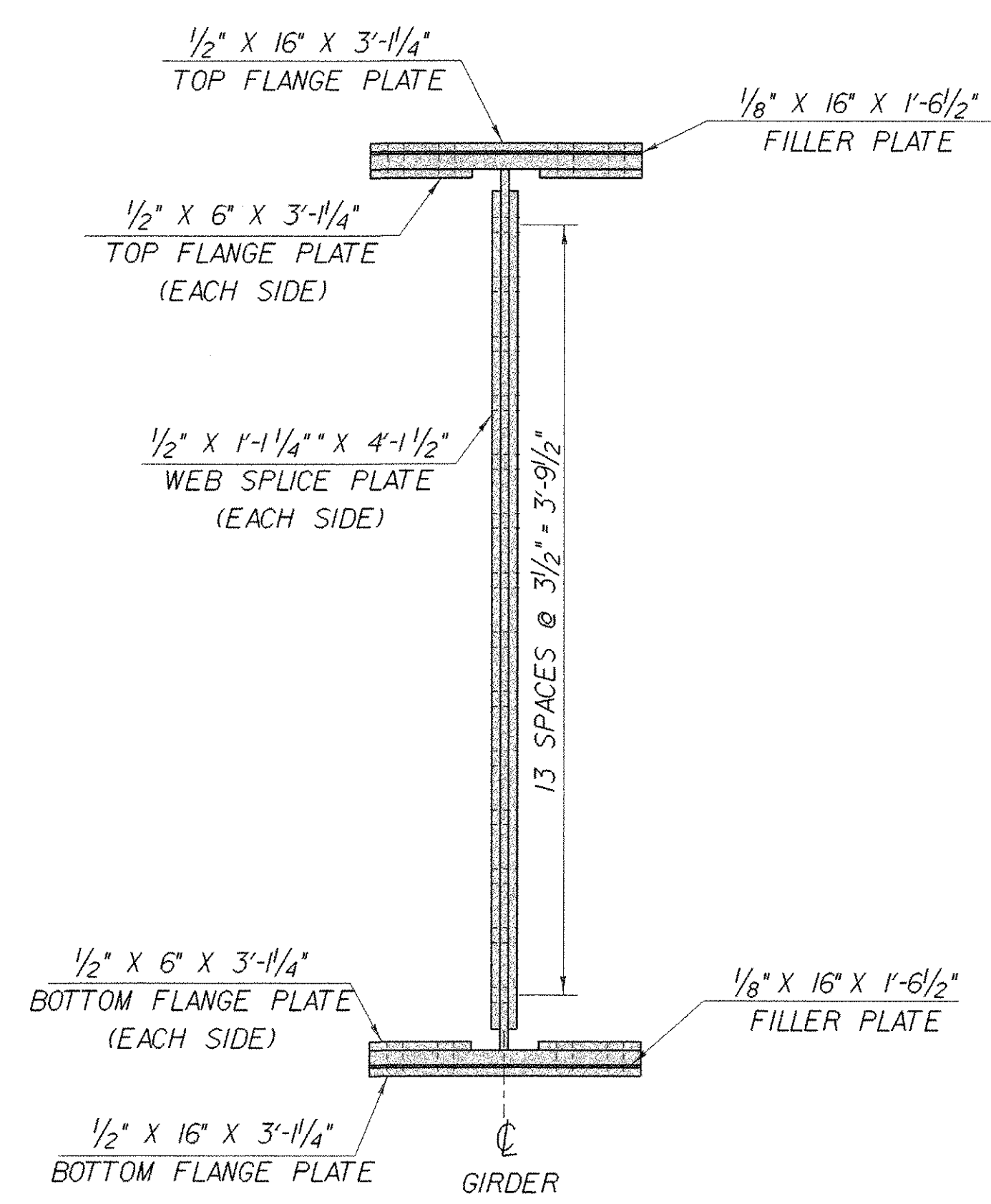


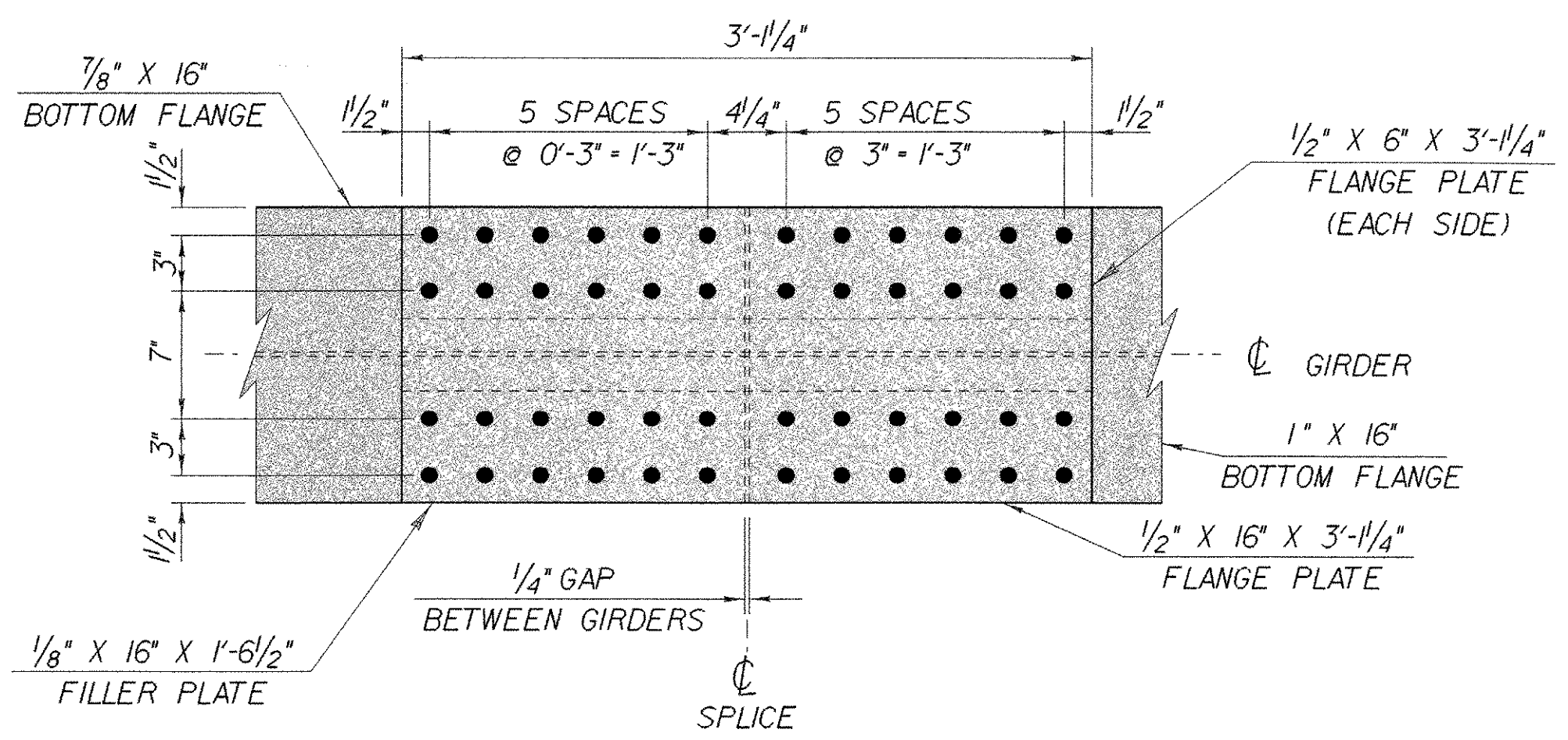
TOP FLANGE PLAN



WEB ELEVATION

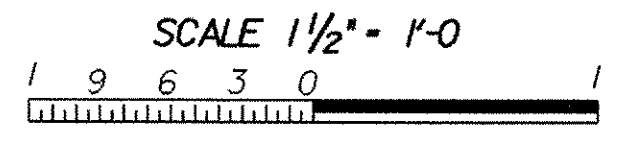


WEB SECTION



BOTTOM FLANGE PLAN

NOTE: ALL SPLICE PLATES WILL BE CVN TESTED.



**SPLICE DETAIL SHEET**

<b>STATE OF VERMONT AGENCY OF TRANSPORTATION</b>	
Town Of <b>WOODFORD</b>	Bridge No. <b>11</b>
Highway No. <b>VT.9</b>	Log Sta. Surv. Sta.
<b>VT.9 OVER ROARING BRANCH SPLICE DETAIL SHEET</b>	
Designed By <b>M.EVANS-MONGEON</b>	Drawn By <b>M.EVANS-MONGEON</b>
Checked By <b>Date</b>	Bridge Design Supervisor <b>A.PORTALUPI</b> Date
PROJECT <b>WOODFORD</b>	PROJECT NO. <b>BHF 010 -1 (29)</b>
I.G.C. Info. <b>/84e039/structures/se039sup.dgn</b>	<b>se039spl1</b>
Bridge Sheet No.	Sheet <b>61</b> of <b>106</b>