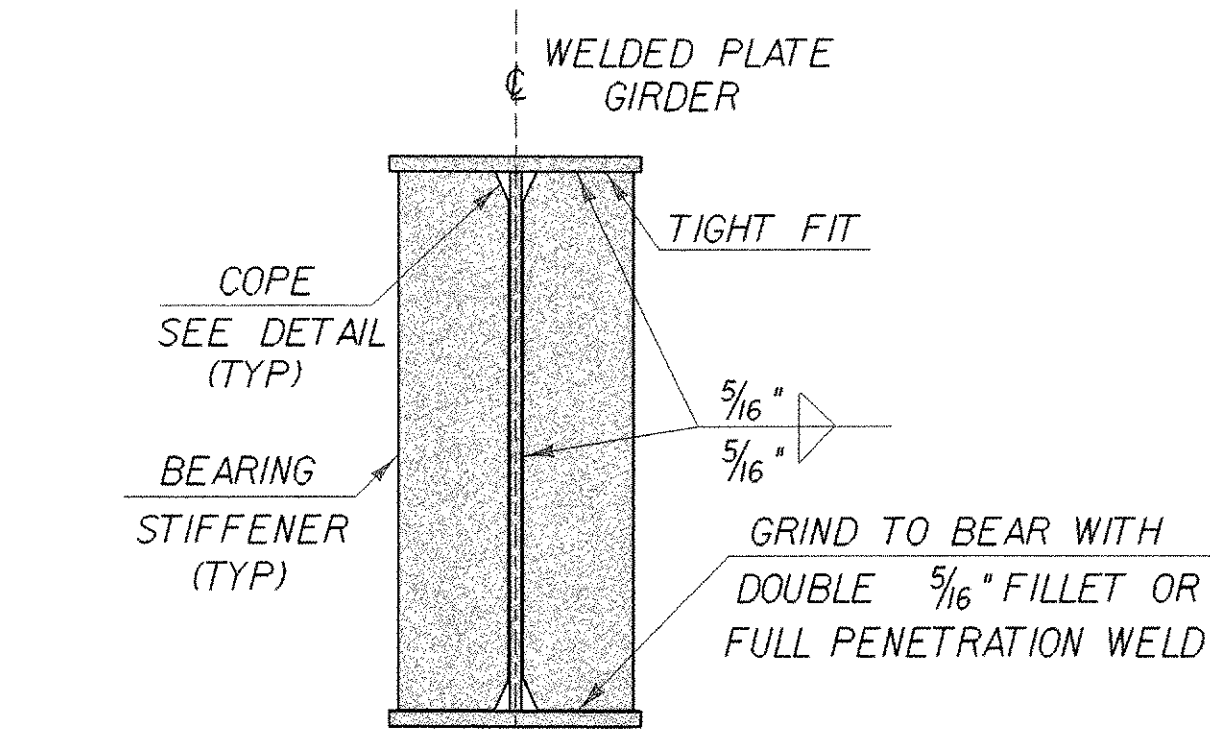


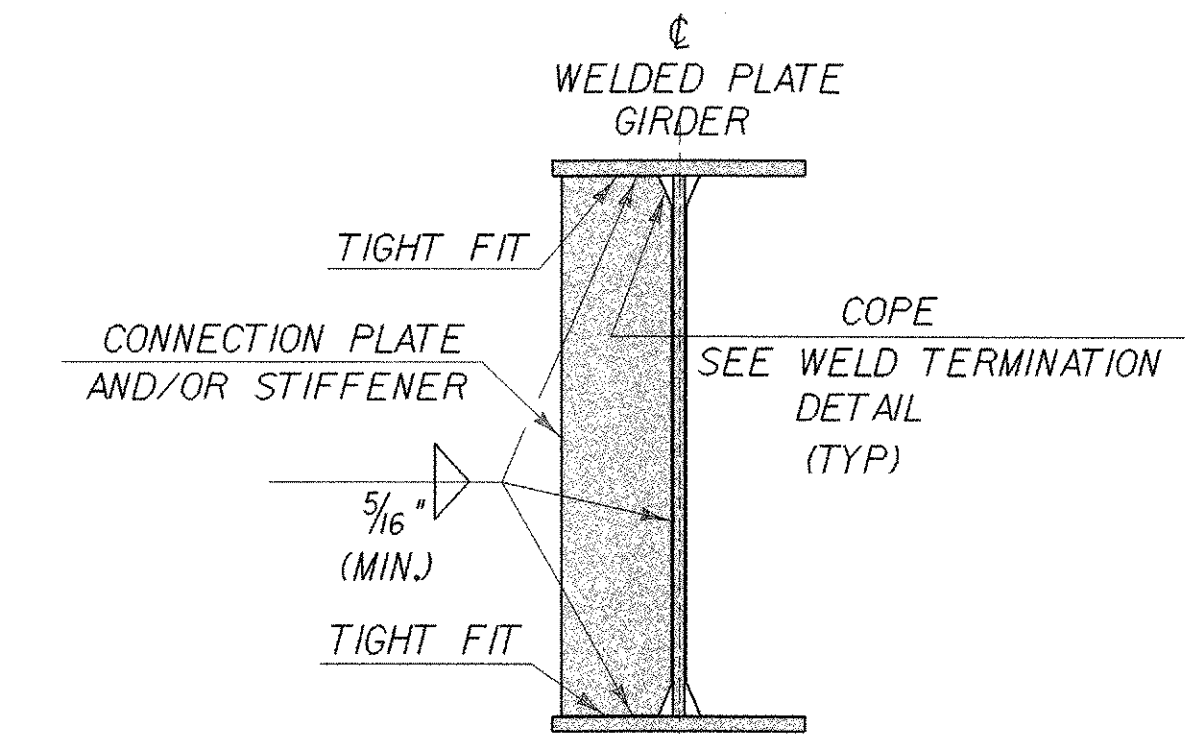
PLAN DRIP PLATE

SECTION A - A

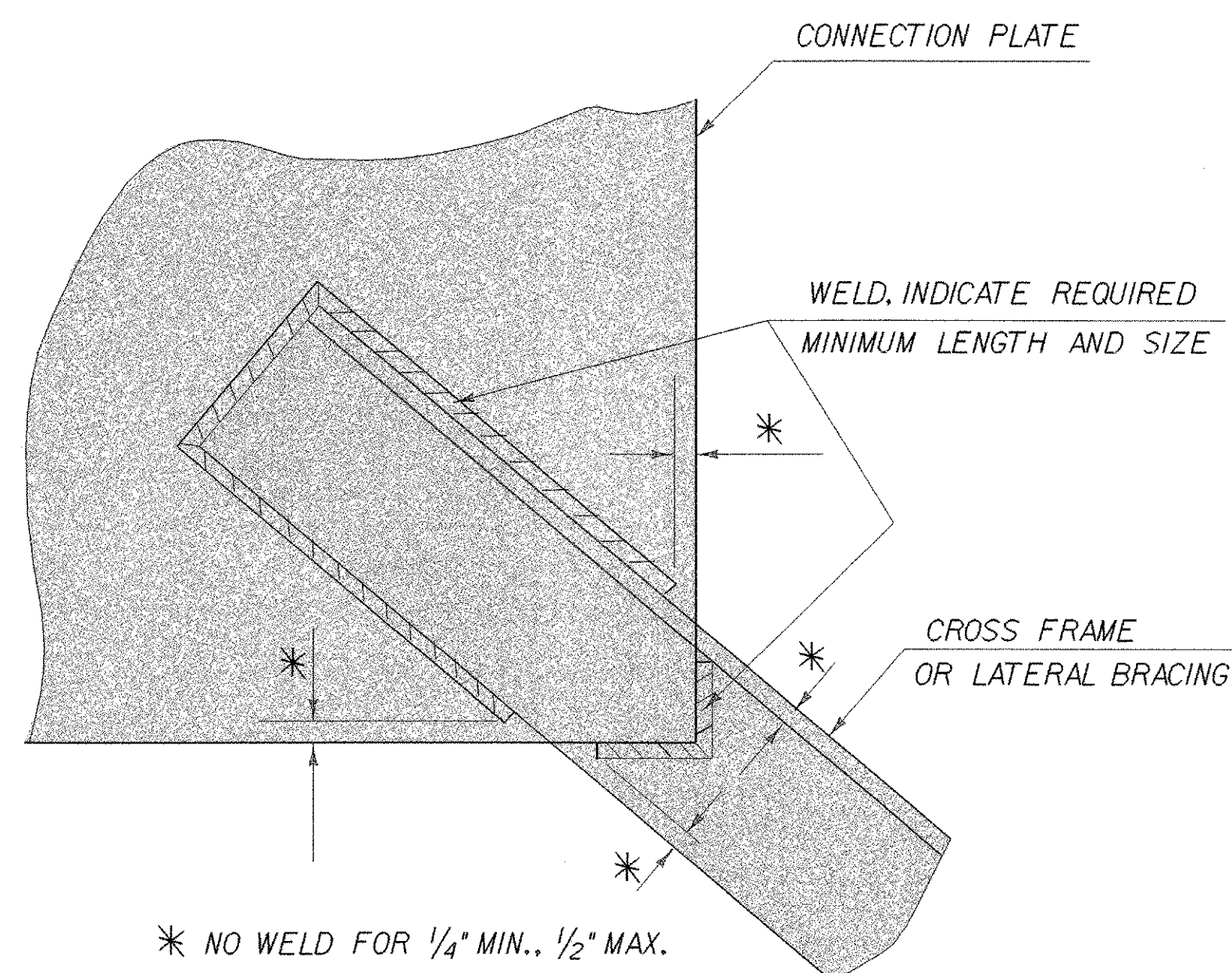
NOTE: DRIP PLATES SHALL BE PLACED ON OUTSIDE EDGE OF FASCIA GIRDERS ON THE HIGH SIDE OF ALL PIERS AND ABUTMENTS OR AS INDICATED ON PROJECT PLANS.



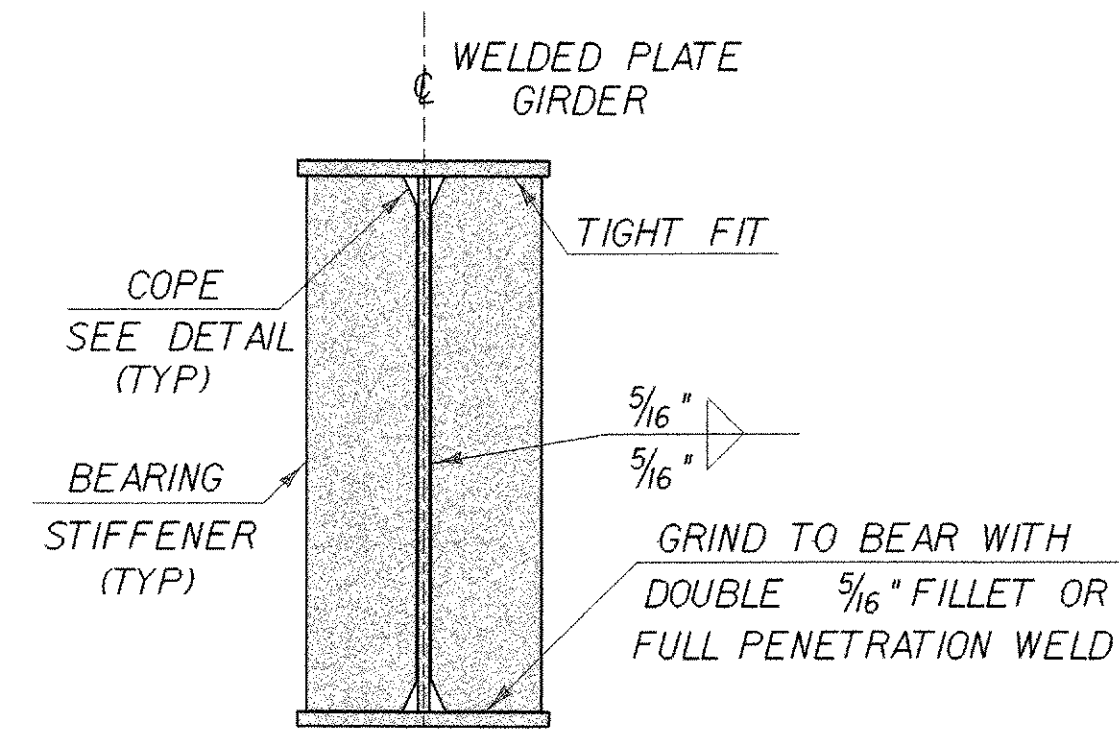
ABUTMENT BEARING STIFFENERS FOR WELDED PLATE GIRDERS



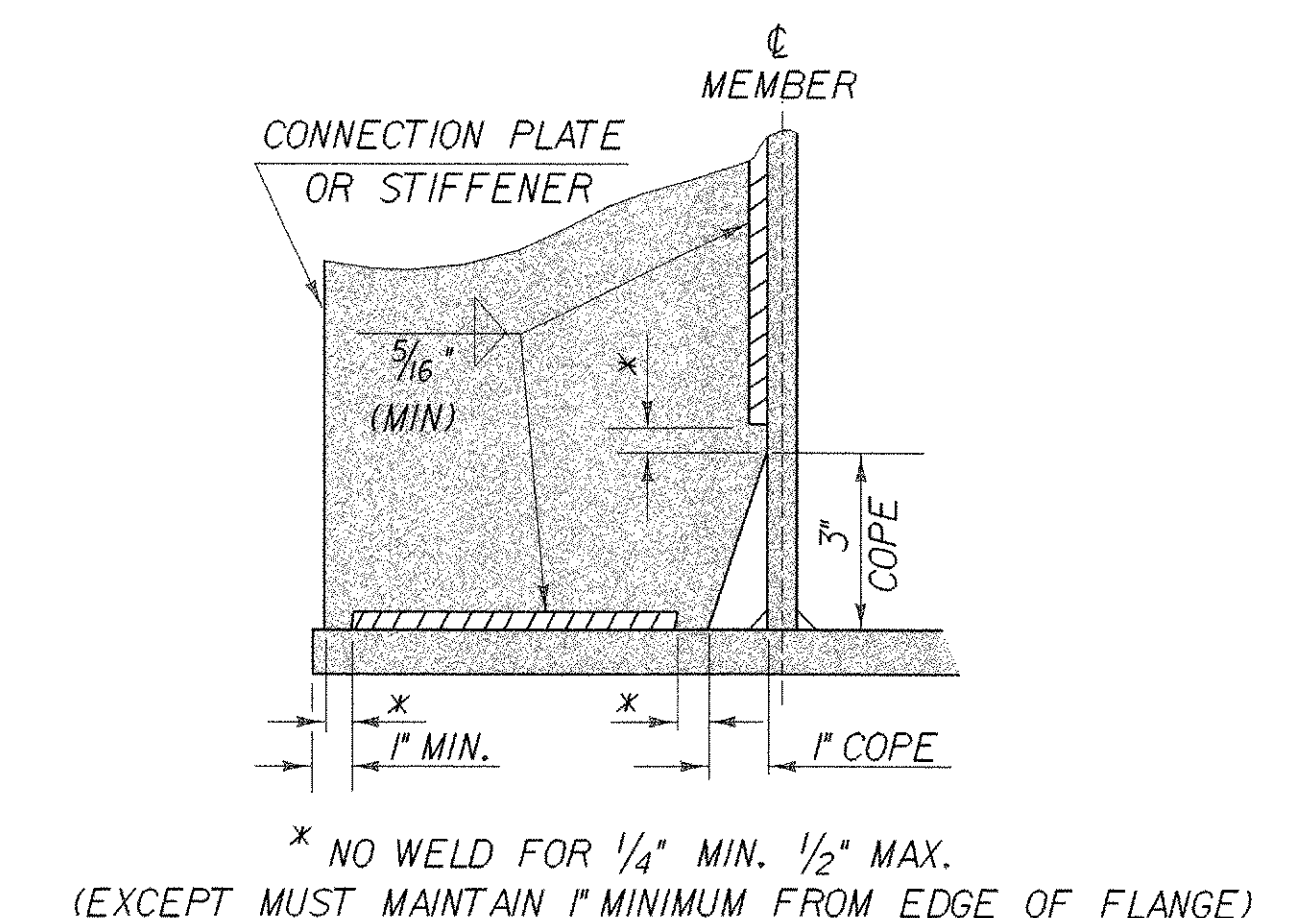
INTERMEDIATE CONNECTION PLATES AND/OR STIFFENERS FOR WELDED PLATE GIRDERS



WELD LOCATION DETAIL AT CROSS FRAMES AND LATERAL BRACING



PIER BEARING STIFFENERS FOR WELDED PLATE GIRDERS



WELD TERMINATION AND COPING DETAILS FOR STEEL MEMBERS

STATE OF VERMONT AGENCY OF TRANSPORTATION			
Town Of	WOODFORD	Bridge No.	BR 11
Highway No.	VT 9	Log Sta.	
		Surv. Sta.	
VT 9 OVER ROARING BRANCH OF WALLOOMSAC			
MISCELLANEOUS STEEL DETAILS			
Designed By	M.EVANS-MONGEON	Drawn By	R.VANHAMBURG
Checked By	Date	Bridge Design Supervisor	Date
		A.PORTALUPI	
PROJECT	WOODFORD	PROJECT NO.	BHF 010-(129)
I.G.C. Info.	/846039//structures/se039supdgn		se039msd1
Bridge Sheet No.		Sheet	60 of 106