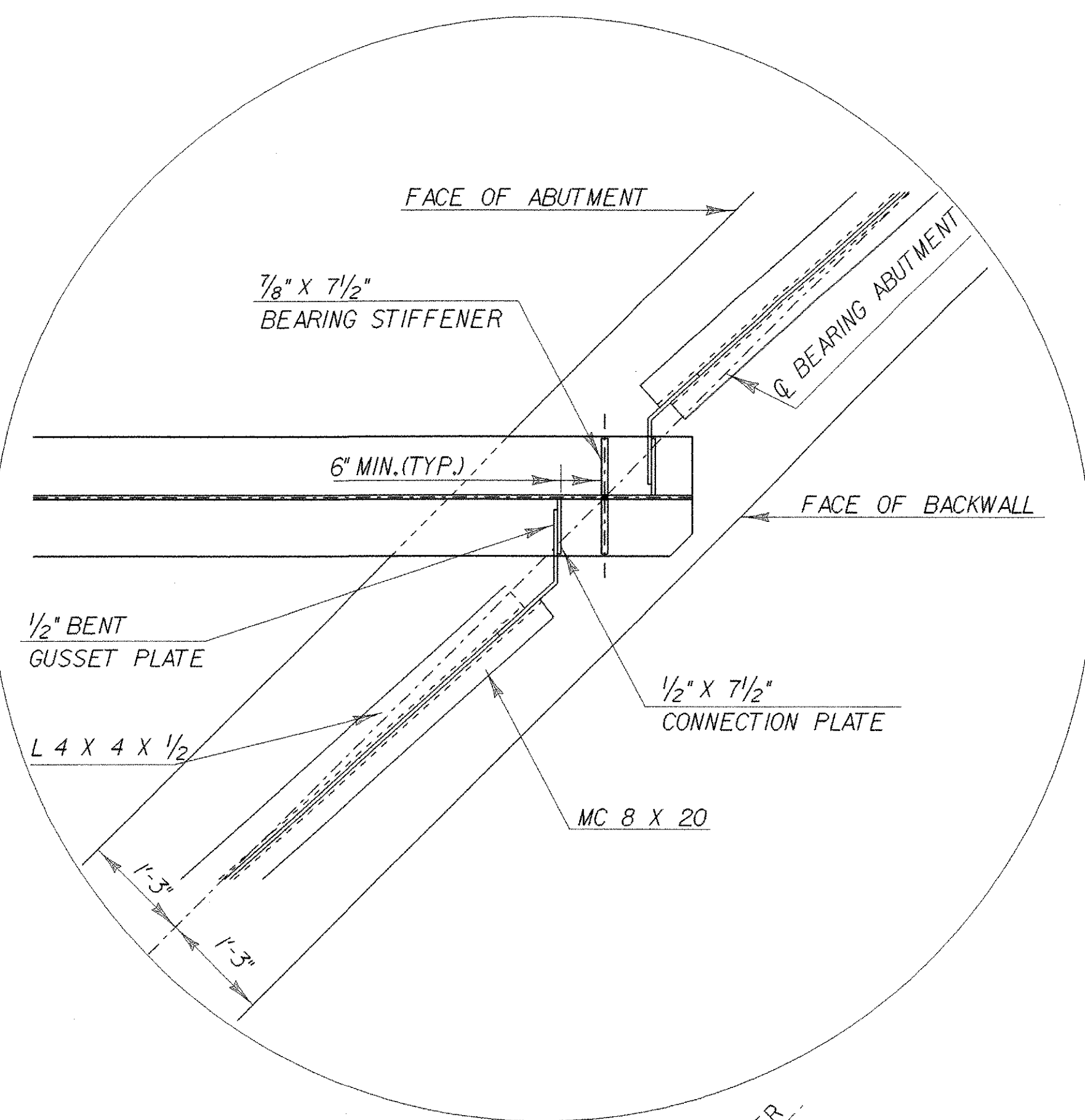
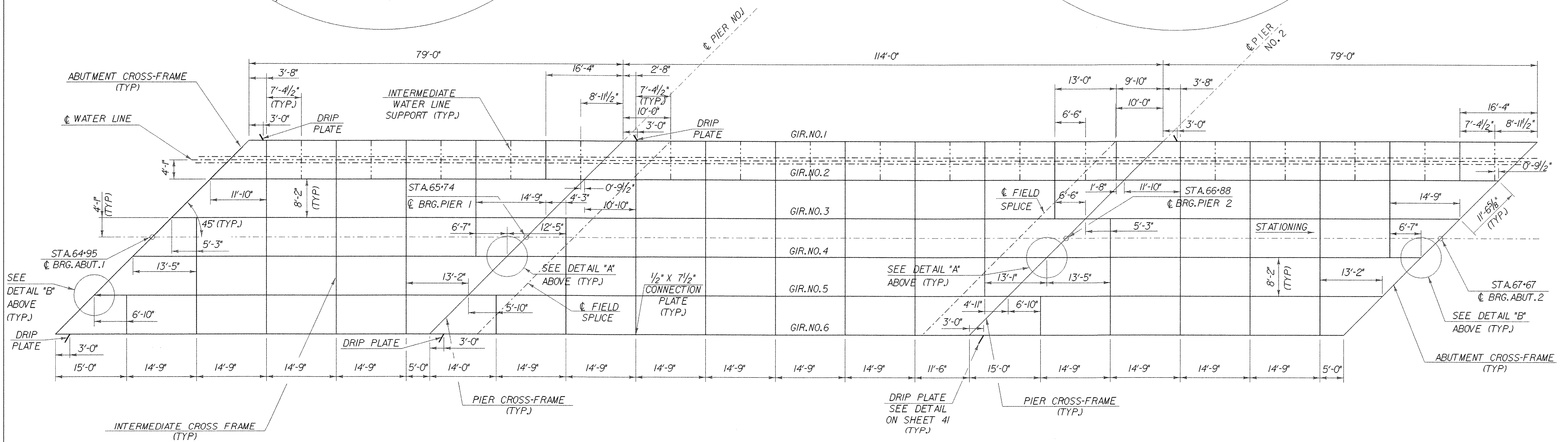


DETAIL "A"
SCALE 3/4" = 1'-0"



DETAIL "B"
SCALE 3/4" = 1'-0"



FRAMING PLAN
SCALE 1" = 1'-0"

DATUM

VERTICAL	_____
HORIZONTAL	_____

FRAMING PLAN

PROJECT: WOODFORD	PROJECT NO.: BHF 010-1(29)
DESIGN FILE NAME: /84e039/structures/se039sup.dgn	PLOT DATE: 03-OCT-2005
IPARM FILE NAME: se039frm.1	SURVEY DATE: 12-88
DESIGNED BY: M. EVANS-MONGEON	DRAWN BY: RVH
SQUAD LEADER: PORTALUPI	SHEET: 54 OF 106