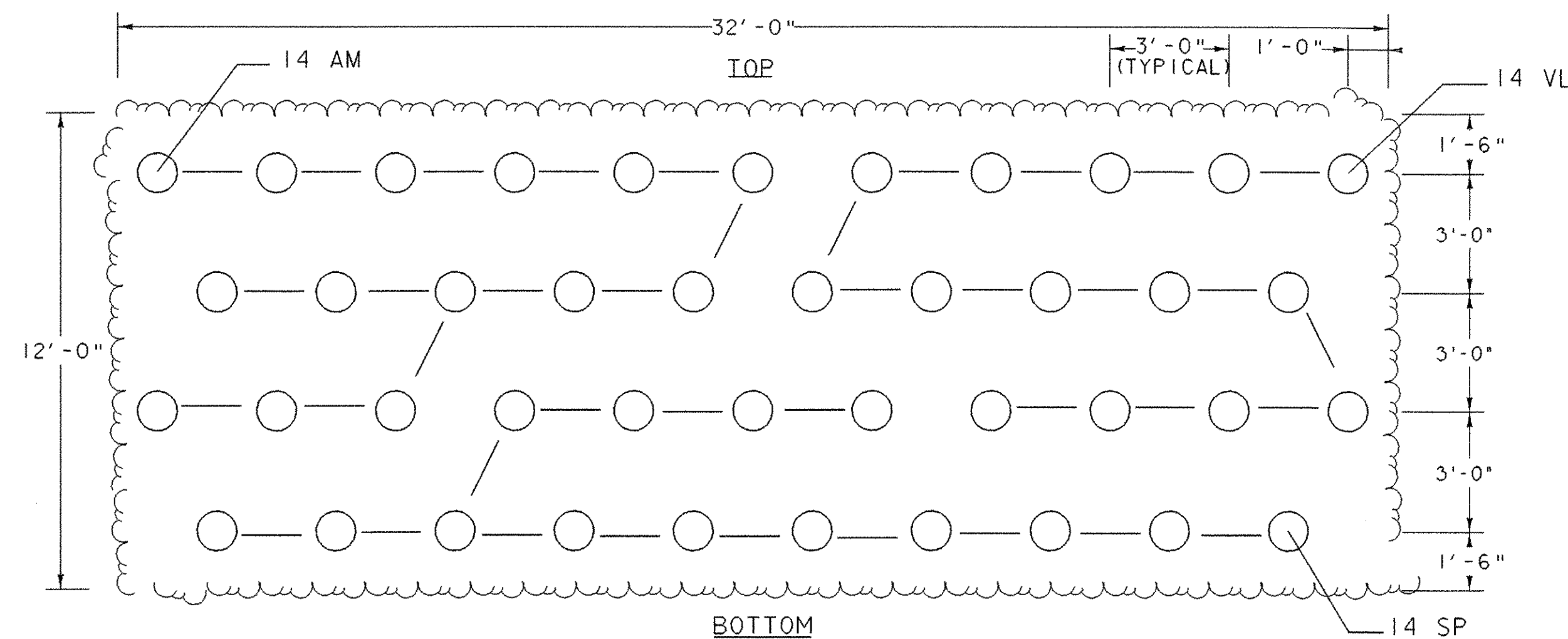


**PLANT AND TREE LIST**

QUANTITY	UNIT	KEY	BOTANICAL NAME	COMMON NAME	SIZE	SPACING	REMARKS	ITEM #
<b>EVERGREEN SEEDLING</b>								
21	EA	PS-TR	PINUS STROBUS	WHITE PINE	1-2' MINIMUM HT	6' OC	1 GALLON CONTAINER	656.15
<b>EVERGREEN TREES</b>								
7	EA	PS	PINUS STROBUS	WHITE PINE	5-6' MINIMUM HT	12' OC	CONTAINER/ B&B	656.20
<b>DECIDUOUS TREES</b>								
3	EA	AS	ACER SACCHARUM	SUGAR MAPLE	1.5-2.0" CAL	30' OC	CONTAINER/ B&B	656.30
2	EA	BP	BETULA POPYRIFERA	PAPER BIRCH (CLUMP OF 3)	8-10' MINIMUM HT	30' OC	CONTAINER/ B&B	656.30
48	EA	BPO	BETULA POPULIFOLIA	GRAY BIRCH	4-5' MINIMUM HT	6' OC	2 GALLON CONTAINER	656.30
42	EA	FA	FRAXINUS AMERICANA	WHITE ASH	4-5' MINIMUM HT	35' OC	2 GALLON CONTAINER	656.30
34	EA	PRS	PRUNUS SEROTINA	BLACK CHERRY	4-5' MINIMUM HT	6' OC	2 GALLON CONTAINER	656.30
28	EA	PV	PRUNUS VIRGINIANA	CHOKE CHERRY	4-5' MINIMUM HT	6' OC	2 GALLON CONTAINER	656.30
<b>DECIDUOUS SHRUBS</b>								
350	EA	AM	ARONIA MELANOCARPA	BLACK CHOKEBERRY	18" MINIMUM HT	3' OC	1 GALLON CONTAINER	656.35
196	EA	CR	CORNUS RACEMOSA	GRAY DOGWOOD	18" MINIMUM HT	3' OC	1 GALLON CONTAINER	656.35
112	EA	SP	SALIX PURPUREA	STREAMCO WILLOW	18" MINIMUM HT	3' OC	1 GALLON CONTAINER	656.35
112	EA	VL	VIBURNUM LENTAGO	NANNYBERRY	18" MINIMUM HT	3' OC	1 GALLON CONTAINER	656.35

**WOODY SHRUBS GROUPINGS**



**TYPICAL PLANT LIST FOR ONE WOODY SHRUBS DETAIL**

QTY	KEY	COMMON NAME	BOTANICAL NAME
14	VL	NANNY BERRY	VIBURNUM LENTAGO
14	AM	BLACK CHOKEBERRY	ARONIA MELANOCARPA
14	SP	STREAMCO WILLOW	SALIX PURPUREA

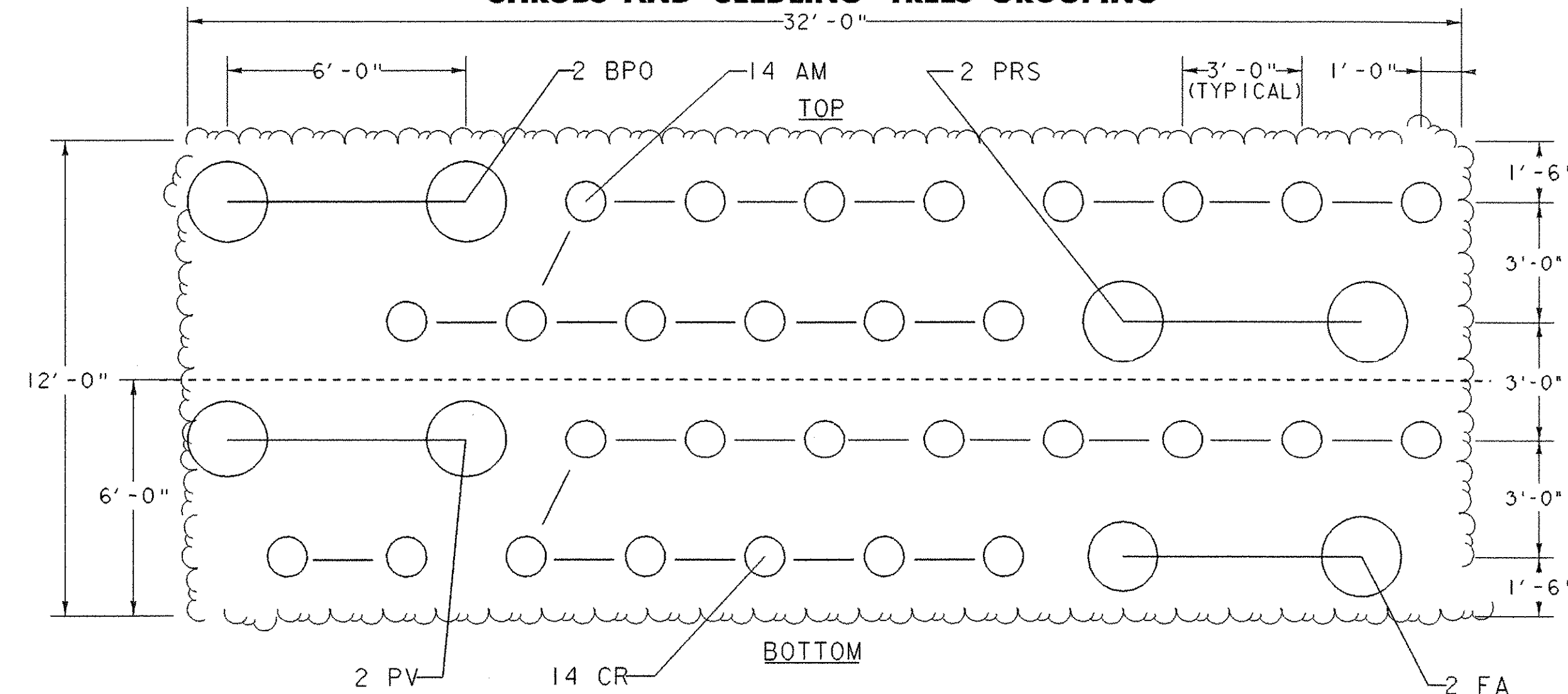
**LOCATION OF WOODY SHRUBS PLANTING LAYOUTS AND LENGTHS**

STA 64+02 TO STA 64+67 RT (64' X 12') REPEAT 2 X ON SLOPED GROUND  
 STA 65+09 TO STA 65+40 LT (32' X 12') REPEAT 1 X ON SLOPED GROUND  
 STA 68+83 TO STA 70+42 LT (160' X 12') REPEAT 5 X ON FLAT GROUND

**NOTES:**

- LOCATIONS AND BED SHAPES ARE APPROXIMATE AND MAY VARY DUE TO SLOPE. FINAL LOCATION AND ELEVATIONS TO BE DETERMINED BY THE ENGINEER BASED ON ACTUAL SLOPE CONDITIONS.
- SEE EPSC PLAN SHEETS FOR ACTUAL GROUPING LOCATIONS.
- GROUPING SHAPES ARE TO BE STAKED AND LAID OUT TO GIVE A NATURAL APPEARANCE.
- TYPICAL GROUPING LAYOUTS SHOWN ARE FOR FLAT AND STEEP SLOPES OF PROJECT WHERE THERE IS NO STONE FILL.
- WATER ALL SHRUBS AND SEEDLING TREES AT TIME OF PLANTING. EACH SHRUB AND SEEDLING TREE SHALL RECEIVE A MINIMUM OF 5 GALLONS OF WATER TWICE A WEEK.
- SEE SPECIAL PROVISIONS FOR 651.18 FERTILIZER (\*MOD\*), THE APPLICATION OF MYCORRHIZAL FUNGI PER MANUFACTURER'S RECOMMENDATIONS AND 651.35 TOPSOIL \*MOD\*, THE APPLICATION OF COMPOST.

**SHRUBS AND SEEDLING TREES GROUPING**



**TYPICAL PLANT LIST FOR ONE SHRUBS AND SEEDLING TREES DETAIL**

QTY	KEY	COMMON NAME	BOTANICAL NAME
2	BPO	GRAY BIRCH	BETULA POPULIFOLIA
2	PRS	BLACK CHERRY	PRUNUS SEROTINA
2	FA	WHITE ASH	FRAXINUS AMERICANA
2	PV	CHOKE CHERRY	PRUNUS VIRGINIANA
14	AM	BLACK CHOKEBERRY	ARONIA MELANOCARPA
14	CR	GRAY DOGWOOD	CORNUS RACEMOSA

**LOCATION OF SHRUBS AND SEEDLING TREES PLANTING LAYOUTS AND LENGTHS**

STA 67+65 TO STA 69+59 RT (192' X 12') REPEAT 6 X ON SLOPED GROUND  
 STA 65+36 TO STA 66+09 LT (96' X 24') REPEAT 6 X ON FLAT GROUND  
 STA 68+36 TO STA 69+06 LT (64' X 12') REPEAT 2 X ON FLAT GROUND

UTILIZE PART A FOR THE FOLLOWING STATIONS:

STA 68+15 TO STA 69+13 LT (96' X 6') REPEAT 3 X ON SLOPED GROUND

UTILIZE PART B FOR THE FOLLOWING STATIONS:

NOT USED

**LANDSCAPE GROUPING DETAIL & PLANT LIST**

PROJECT NAME:	WOODFORD
PROJECT NUMBER:	BHF 010-1(29)
FILE NAME:	84e039/structures/84e039erobdr.dgn
PLOT DATE:	03-OCT-2005
PROJECT LEADER:	M EVANS-MONGEON
DRAWN BY:	L GOLDSTEIN
DESIGNED BY:	J BROWN
CHECKED BY:	
IPARM:	epsclspdet1.j
SHEET	37 OF 106

NOT TO SCALE