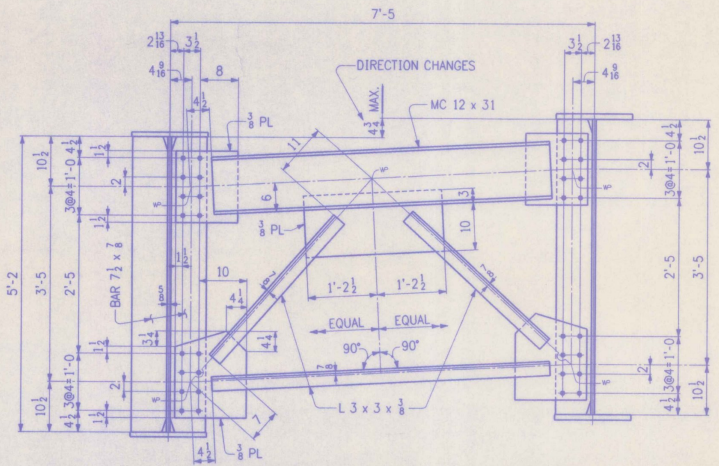
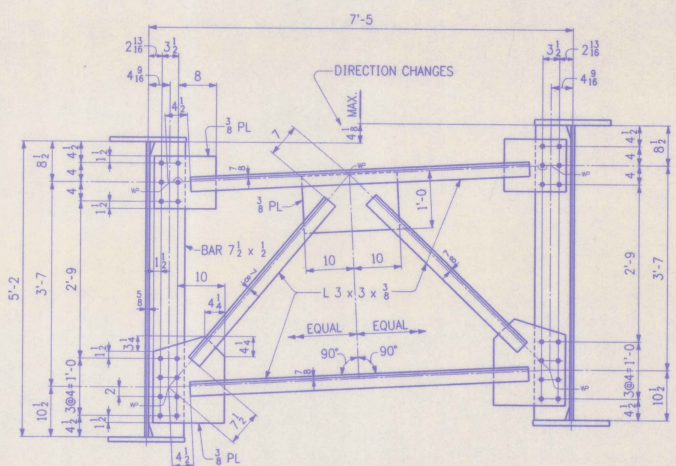


FED. ROAD DIST. NO.	STATE	FED. AID PROJ. NO.
	VT	

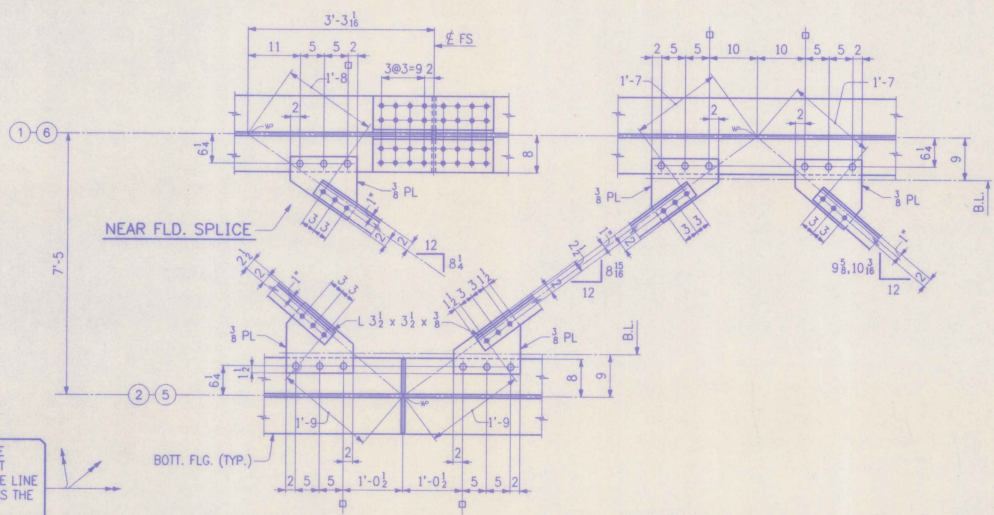


TYP. END AND PIER CROSSFRAME  
(CFK14)



TYP. INT. CROSSFRAME  
(CFK14)

NOTE:  
ALL HOLES TO BE 1/8" FOR 7/8" HSB'S.



TYP. LATERAL BRACING

DETAILER NOTE: CARE MUST BE EXERCISED IN THE ASSIGNMENT OF GUSSET PLATE MARKS. GAGE LINE FOR HOLES IS NOT THE SAME AS THE "WL" AND PLATES CANNOT BE TURNED UPSIDE DOWN.

**SHOP DRAWING REVIEW**

REVIEW IS FOR GENERAL COMPLIANCE WITH CONTRACT REQUIREMENTS. RESPONSIBILITY IS ASSIGNED FOR CORRECTNESS OF DIMENSIONS.

DESIGNED BY	DATE
CHECKED BY	DATE
APPROVED BY	DATE

Barris and Barris, Inc.  
40 Garrison Street  
Burlington, Vermont 05401  
DATE 2-23-96 BY JAL

THIS IS A WORK (N) DRAWING. ITS FUNCTION IS TO PROVIDE BASIC DIMENSIONS AND CONCEPTS FOR USE IN THE PREPARATION OF THE SHOP DETAILS. IT IS NOT INTENDED TO BE USED FOR ERECTION OR FABRICATION.

NO.	REVISION	DATE

**HIGH STEEL STRUCTURES, INC.** 1770 Hempstead Road  
Lancaster, PA 17605-0008  
Phone 717/299-5211  
A Division of High Industries, Inc.

**WORKSHEET - LAYOUTS**  
U.S. ROUTE 7 OVER OTTER CREEK  
BRIDGE NO. 79  
TOWN OF WALLINGFORD, COUNTY OF RUTLAND  
STATE OF VERMONT  
AGENCY OF TRANSPORTATION

STATE CONTRACT OR REF. NO. PROJECT NO. BRS-0137(13)  
CONTRACTOR J. A. McDONALD, INC.  
IN CHARGE: abs MADE BY: LD DATE: 1-6-96  
CONTRACT NUMBER: VT-95367 DRAWING NUMBER: WS2