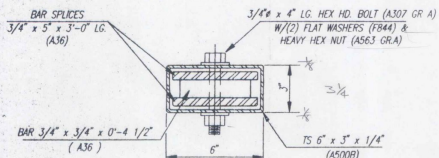
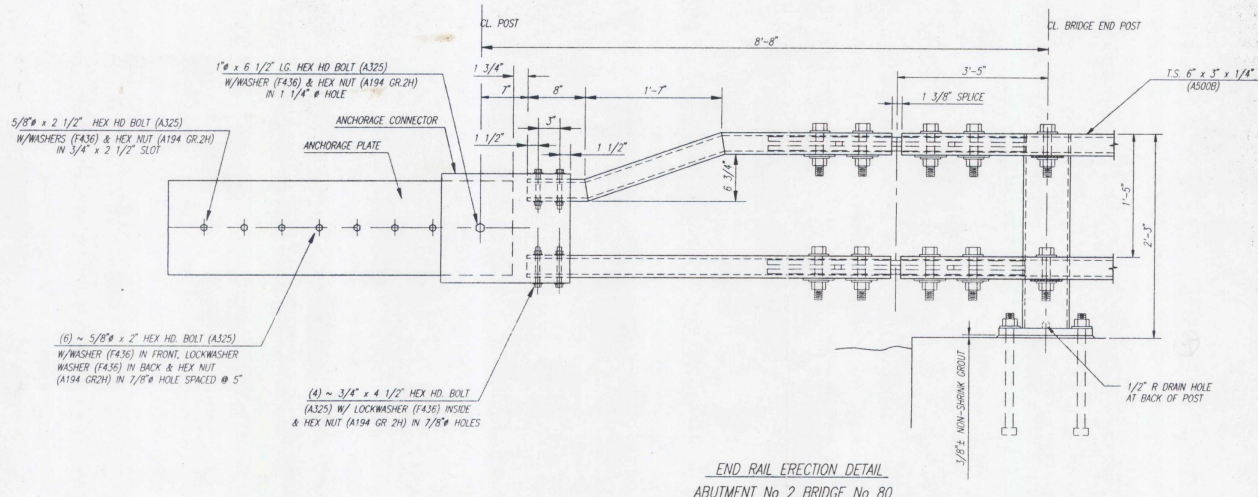


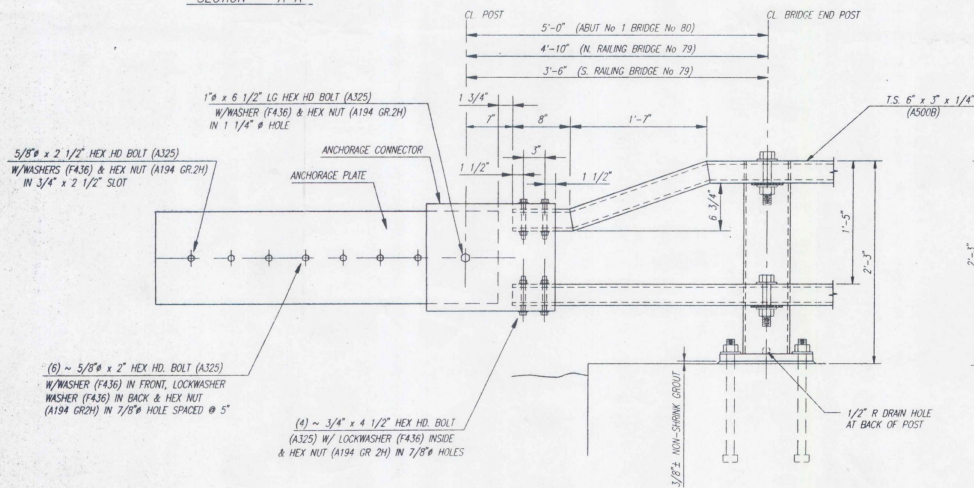
SPLICE DETAIL



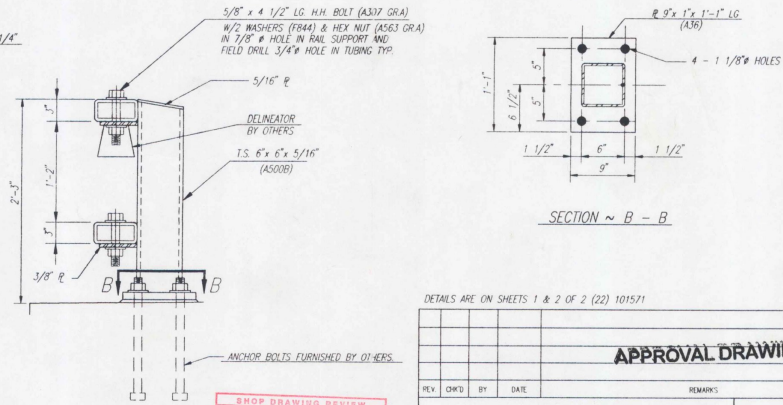
SECTION ~ A-A



END RAIL ERECTION DETAIL  
ABUTMENT No 2 BRIDGE No 80



END RAIL ERECTION DETAIL



SECTION ~ B-B

**SHOP DRAWING REVIEW**  
 REVIEWED BY: [Signature]  
 DATE: 5-10-96

DETAILS ARE ON SHEETS 1 & 2 OF 2 (22) 101571

**APPROVAL DRAWING**

REV	CHKD	BY	DATE	REMARKS

CUSTOMER: F.R. LAFAYETTE INC. P.O. No. [ ]  
 STATE OF VERMONT  
 AGENCY OF TRANSPORTATION  
 BOX BEAM BRIDGE RAILING  
 TOWN OF WALLINGFORD, COUNTY OF RUTLAND  
 U.S. ROUTE 7, BRIDGE No 79 & No 80  
 PROJECT: BRIS 0137 (1,3)

DATE: 4-10-96  
 ENG. FILE # 101571E2  
 SHEET No. E2 OF 2  
 DRAWING No. (22) 101571

**TRINITY INDUSTRIES, INC.**  
 DALLAS, TX CHICAGO, OH FORT WORTH, TX  
 CENTERVILLE, UT LIMA, OH ELIZABETHTOWN, KY

ISS  
 APR 10 1998  
 ISSUED

This drawing and the information shown thereon is the sole property of TRINITY INDUSTRIES, INC. Neither the drawing nor such information is to be used for any purpose other than that for which it was specifically furnished by TRINITY INDUSTRIES, INC. nor is any reproduction authorized without written permission.