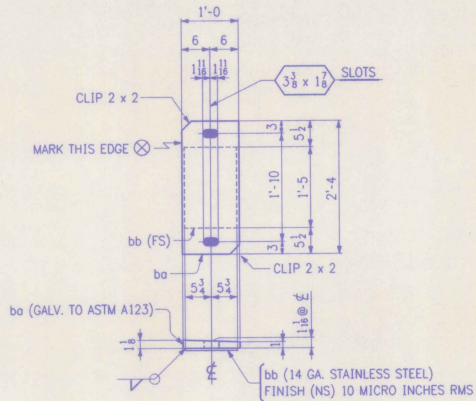
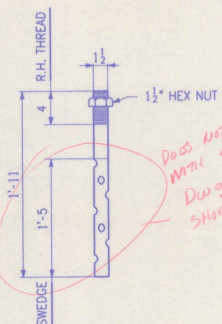


SOLE PLATES ~ MK. SP1
(ABUT. 1 - FIX) (GALV. A123)



SOLE PLATES ~ MK. SP2
(ABUT. 2 - EXP.)



ANCHOR BOLTS ~ MK. AB1
(GALV. A153)
CODE: P

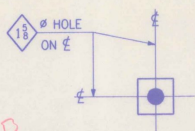


PLATE WASHERS ~ MK. W1
(ABUT. 1) (GALV. A153)
CODE: P

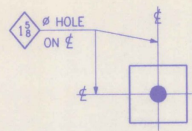
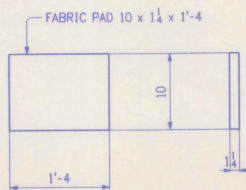
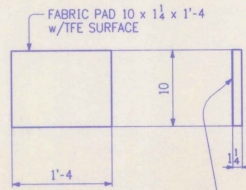


PLATE WASHERS ~ MK. W2
(ABUT. 2) (GALV. A153)
CODE: P



FABRIC PADS ~ EB1
(FIX) CODE: P



TFE PER VT STD. SPECS 731.04 BONDED TO FABRIC PAD

FABRIC PADS ~ EB2
(EXP.) CODE: P

SHOP NOTE
HOLES: AS NOTED
BOLTS: NONE
PAINT: NONE
FOR GENERAL SHOP NOTES, SEE DWG. N1.

FED. ROAD DIST. NO.	STATE	FED. AID PROJ. NO.
	VT	

BILL OF MATERIAL						
NO.	MARK	DESCRIPTION	LENGTH	REMARKS	ITEM	QTY
6	SP1	PL 12 x (1 1/2 x 1)	2	4	BEVELED SOLE PLATE M270-36	101
6	SP2	SOLE PLATE				104
6	ba	PL 12 x (1 1/2 x 1)	2	4	BEVELED SOLE PLATE M270-36	102
6	bb	PL 1 1/2 x 14GA	1	5	STAINLESS STEEL ASTM A240, TYPE 304	103
ANCHOR BOLTS						
24	AB1	1 1/2" SWERDE BOLTS	1	11	M270-36 w/ 1/4" HEX GR. 4 STD. HEX NUT, GALV. A153	12
WASHERS						
12	W1	BAR 2 1/2 x 3/8	0	2 1/2	M270-36, GALV. A153	0.7
12	W2	BAR 3 1/2 x 3/8	0	3 1/2	M270-36, GALV. A153	1.5
FABRIC PADS						
6	EB1	PAD 10 x 1 1/4	1	4	PER VERMONT STD. SPECS. SECT. 731.01 (FIX)	11
6	EB2	PAD 10 x 1 1/4	1	4	PER VERMONT STD. SPECS. SECT. 731.01 (EXP)	11

SHOP DRAWING REVIEW	
REVIEWED BY	DATE
Y	3-1-96
Sarnes and Jurek, Inc.	

NO.	REVISION	DATE

HIGH STEEL STRUCTURES, INC. 1770 Hempstead Road
Lancaster, PA 17602-8008
Phone 717/298-5311
A Division of High Industries, Inc.

BEARINGS
U.S. ROUTE 7 OVER RAILROAD
BRIDGE NO. 80
TOWN OF WALLINGFORD, COUNTY OF RUTLAND
STATE OF VERMONT
AGENCY OF TRANSPORTATION

STATE CONTRACT OR REF. NO. PROJECT NO. BRS-0137(13)
CONTRACTOR J. A. McDONALD, INC. MADE BY JCC CHD BY FM DATE 2-20-96
IN CHARGE: abs
CONTRACT NUMBER: VT-95368 DRAWING NUMBER: 1 OF 9