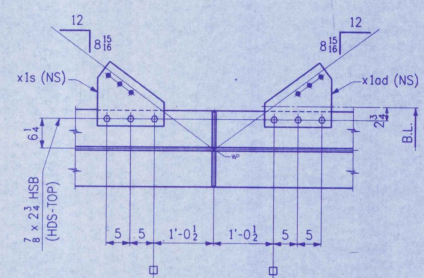
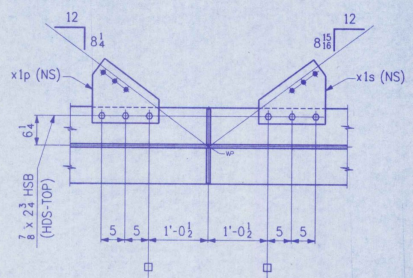
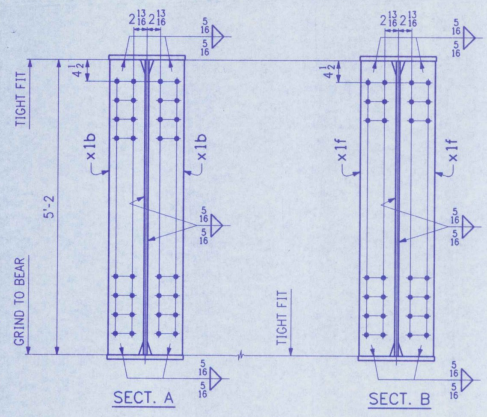


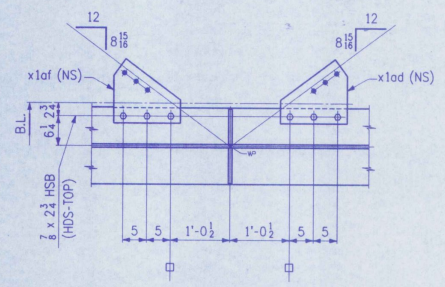
BILL OF MATERIAL

NO.	MARK	DESCRIPTION	LENGTH	REMARKS	ITEM
ONE	G2B	GIRDER			29215
1	a	PL 62 x 3	65 6 1/2	(T)	2 4
1	b	PL 62 x 3	42 10 1/2	(T)	2 5
1	c	PL 16 x 1 1/2	72 11 1/2	(T)	2 13
1	d	PL 16 x 1 1/2	35 6	(T)	2 14
1	f	PL 16 x 1 1/2	72 8 1/2	(T)	2 13
1	g	PL 16 x 1 1/2	35 6	(T)	2 14
2	x1k	PL 58 x 1/8	1 1	(T)	3 6
2	x1m	PL 16 x 3/8	2 1	(T)	3 4
4	x1n	BAR 7 x 1/2	2 1	(T)	3 2
2	x1b	BAR 7 1/2 x 1/2	5 2		3 12
10	x1f	BAR 7 1/2 x 1/2	5 2		3 14
1	x1p	PL 14 x 3/8	1 0 3/8		3 16
2	x1s	PL 14 x 3/8	1 1 1/2		3 16
3	x1ad	PL 14 x 3/8	1 1 1/2	BENT	3 16
3	x1of	PL 14 x 3/8	1 1 1/2	BENT	3 16
1	x1og	PL 14 x 3/8	1 1 1/2	BENT	3 16
1	x1oh	PL 14 x 3/8	1 1 1/2	BENT	3 16
30		3/8 # H.S. BOLTS	0 2 1/2		B1 2
30		WASHERS FOR 3/8 # H.S. BOLTS			B1 5
3		1/2 # H.S. BOLTS	0 2 1/2	A325-1 W/ 1 A562 GALV. CO. OR HEX. NUTS	B1 8
3		WASHERS FOR 1/2 # H.S. BOLTS		F436 GALV.	B1 9

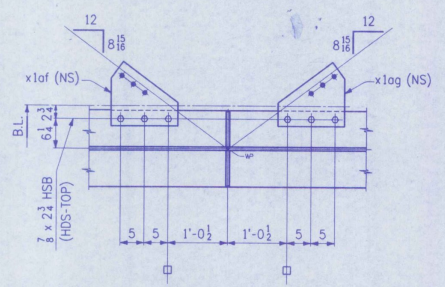


SECT. B1

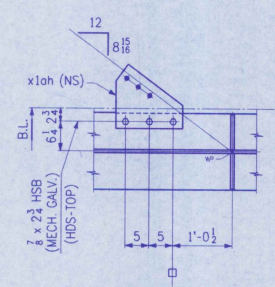
SECT. B2  
(DEVELOPED) FOR x1ad ONLY



SECT. B3  
(DEVELOPED)



SECT. B4  
(DEVELOPED)



SECT. B5  
(DEVELOPED)

**SHOP DRAWING REVIEW**  
 REVIEWED FOR GENERAL COMPLIANCE WITH  
 CONTRACT DOCUMENTS. THE CONTRACTOR IS RESPONSIBLE FOR  
 CONTRACT COMPLIANCE. THE REVIEWER'S RESPONSIBILITY IS LIMITED  
 TO THE ASPECTS OF GENERAL COMPLIANCE.  
 APPROVED AND FORWARDED:  
 PROJECT ENGINEER  
 STRUCTURAL ENGINEER  
 Burrell and Jarvis, Inc.  
 65 Hampshire Street  
 Boston, MA 02118  
 DATE: MAR 22 1996

**SHOP NOTE**  
 HOLES: 1/8" (UN)  
 BOLTS: AS NOTED  
 PAINT: AS NOTED, SEE DWG. N1  
 FOR GENERAL SHOP NOTES, SEE DWG. N1.  
 FOR WEB CAMBER DIAGRAM, SEE DWG. WC1.

WORK THIS DWG. WITH DWG. 17

NO.	REVISION	DATE
1	CHANGED "MILL" TO "GRIND"; BOLT SPECS.	2-21-96

**HIGH STEEL STRUCTURES, INC.** 1770 Hampstead Road Lancaster, PA 17603-0009 Phone 717/299-5211  
 A Division of High Industrial, Inc.

**GIRDER G2B**  
 U.S. ROUTE 7 OVER OTTER CREEK  
 BRIDGE NO. 79  
 TOWN OF WALLINGFORD, COUNTY OF RUTLAND  
 STATE OF VERMONT  
 AGENCY OF TRANSPORTATION  
 PROJECT NO. BRS-0137(13)  
 STATE CONTRACT OR REF. NO. J. A. McDONALD, INC.  
 CONTRACTOR: **abs** DRAWN BY: **PPF 2.2** CHKD BY: **LD** DATE: 2-3-96  
 CONTRACT NUMBER: **VT-95367** DRAWING NUMBER: **18 OF 24**