

CAMBER DIAGRAM FOR G1A THRU G6A

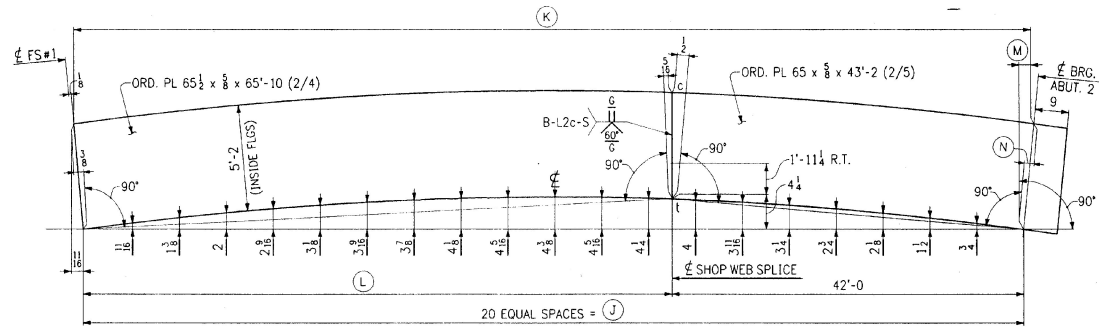
MARK	A	B	C	D	E	F	G	1	2	3	4	5	6	7	8	9	10	11	12	13	14	15	16	17	18	19	20	21
G1A	150'-0 1/8	119'-11 1/2	30'-0 1/8	62'-0 1/8	149'-10 1/8	1 1/4	1 3/8	7/16	7/8	1 5/8	1 3/4	1 11/8	1 11/8	2 1/8	2 1/8	2	1 7/8	1 11/8	1 1/8	1 1/8	3/8	1/8	0	3/8	7/8	1 7/8	2 1/8	1 3/8
G2A	150'-0 1/8	120'-0	30'-0 1/8	62'-0 1/8	149'-10 1/8	1 1/8	1 1/8	7/8	7/8	1 1/8	1 1/8	1 1/8	2 1/8	2 1/8	2 1/8	1 11/8	1 1/4	1 1/8	1 1/8	3/8	1/8	0	3/8	7/8	1 1/8	1 1/8	2 1/8	1 1/4
G3A	150'-0 1/8	120'-0 1/8	30'-0 1/4	62'-0 1/8	149'-10 1/8	1 1/8	1 3/4	7/8	7/8	1 1/8	1 1/8	2	2 1/8	2 1/8	2 1/8	2	1 3/4	1 1/2	1 1/8	3/4	7/16	1/8	0	3/8	1 1/8	1 1/8	2	1 1/4
G4A	150'-0 1/8	120'-0 1/8	30'-0 1/4	62'-0 1/8	149'-10 1/8	1 1/4	1 7/8	7/8	7/8	1 1/8	1 1/4	2 1/8	2 1/4	2 1/8	2 1/4	2 1/8	1 11/8	1 1/8	1 1/8	3/4	7/16	1/8	0	5/16	1 1/8	1 1/8	2	1 5/8
G5A	150'-0 1/8	120'-0 1/8	30'-0 1/8	62'-0 1/8	149'-10 1/8	1 1/8	2 1/8	7/16	7/8	1 1/8	1 1/8	2 1/8	2 1/8	2 1/8	2 1/8	1 11/8	1 1/8	1 1/4	1 1/8	1 1/8	7/16	1/8	0	5/16	1 1/8	1 1/8	1 1/8	1 1/8
G6A	150'-0 1/8	120'-0 1/2	30'-0 1/8	62'-0 1/8	149'-10 1/8	2 1/8	2 1/4	7/16	1 1/8	1 7/8	1 7/8	2 1/8	2 7/8	2 1/2	2 1/2	2 1/4	2	1 11/8	1 5/8	7/8	1/2	3/16	0	5/16	3/4	1 5/16	1 7/8	1 3/8

**SHOP DRAWING REVIEW**

REVIEWED FOR CONFORMANCE WITH  
 STRUCTURAL REQUIREMENTS AND SPECIFICATIONS  
 AS APPLICABLE TO THE CONTRACT FILES OF  
 STATE OF VERMONT

DATE: MAR 22 1996

BY: [Signature]



CAMBER DIAGRAM FOR G1B THRU G6B

MARK	J	K	L	M	N
G1B	107'-5 3/4	107'-8 1/8	65'-5 3/4	1 1/4	1 1/4
G2B	107'-5 11/8	107'-8 3/8	65'-5 11/8	1 1/8	1 3/8
G3B	107'-5 7/8	107'-8 5/8	65'-5 7/8	2 1/8	1 11/8
G4B	107'-6	107'-8 1/2	65'-6	2 1/8	1 11/8
G5B	107'-6 1/8	107'-9 1/8	65'-6 1/8	2 3/8	1 1/8
G6B	107'-6 3/8	107'-9 3/8	65'-6 3/8	2 1/2	2

- NOTES:**
- FOR GENERAL SHOP NOTES SEE DRAWING N1.
  - THE LETTERS "T" & "C" AT WEB SPLICES INDICATE TENSION AND COMPRESSION REGIONS OF SPLICES RESPECTIVELY.
  - R.T. DEPTH ON WEB PLATE SPLICES INCLUDES 1/6 OF THE WEB DEPTH PLUS 25% OF THE REMAINDER TO BE RADIOGRAPHICALLY TESTED.
  - ALL WEB PLATES REQUIRE CHARTY V-NOTCH TEST.

NO.	REVISION	DATE

**HIGH STEEL STRUCTURES, INC.** 1770 Hempstead Road  
 Lancaster, PA 17608-0008  
 Phone 717/299-5211  
 Division of High Industrial, Inc.

**WEB CAMBER DIAGRAMS**  
 U.S. ROUTE 7 OVER OTTER CREEK  
 BRIDGE NO. 79  
 TOWN OF WALLINGFORD, COUNTY OF RUTLAND  
 STATE OF VERMONT  
 AGENCY OF TRANSPORTATION

STATE CONTRACT OR REF. NO. PROJECT NO. BRS-0137(13)  
 CONTRACTOR J. A. McDONALD, INC.  
 IN CHARGE abs MADE BY DATE 1-23-96  
 CONTRACT NUMBER VT-95367 DRAWING NUMBER WC1