

**SHOP DRAWING REVIEW**

REVIEWED BY: \_\_\_\_\_

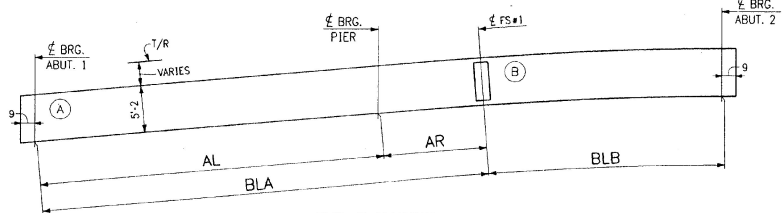
DATE: \_\_\_\_\_

APPROVED BY: \_\_\_\_\_

DATE: \_\_\_\_\_

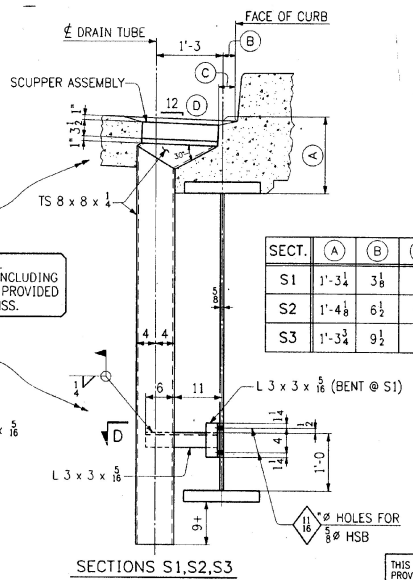
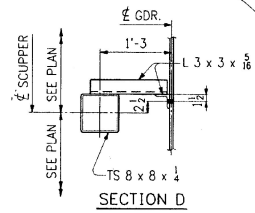
MAR 22 1998

- NOTES:**
1. ALL LONGITUDINAL DIMS. ARE SLOPING ALONG BOT. OF WEB IN 'CAMBERED' POSITION.
  2. TRANSVERSE DIMS. ARE HORIZONTAL.
  3. — DENOTES DROP (FINAL), ARROW POINTS TO LOW END.
  4. ALL BRG. STIFFS. ARE VERTICAL.
  5. INT. CONN. PLATES ARE NORMAL TO BOTTOM FLG.
  6. FOR LAYOUTS SEE DWG. WS2.



LINE	BLA	AL	AR	BLB
1	150'-0 <sup>3</sup> / <sub>16</sub>	119'-11 <sup>7</sup> / <sub>16</sub>	30'-0 <sup>5</sup> / <sub>16</sub>	107'-5 <sup>7</sup> / <sub>16</sub>
2	150'-0 <sup>7</sup> / <sub>16</sub>	120'-0	30'-0 <sup>5</sup> / <sub>16</sub>	107'-5 <sup>15</sup> / <sub>16</sub>
3	150'-0 <sup>7</sup> / <sub>16</sub>	120'-0 <sup>1</sup> / <sub>16</sub>	30'-0 <sup>5</sup> / <sub>16</sub>	107'-6
4	150'-0 <sup>1</sup> / <sub>16</sub>	120'-0 <sup>1</sup> / <sub>16</sub>	30'-0 <sup>5</sup> / <sub>16</sub>	107'-6 <sup>1</sup> / <sub>16</sub>
5	150'-0 <sup>1</sup> / <sub>16</sub>	120'-0 <sup>1</sup> / <sub>16</sub>	30'-0 <sup>7</sup> / <sub>16</sub>	107'-6 <sup>3</sup> / <sub>16</sub>
6	150'-0 <sup>15</sup> / <sub>16</sub>	120'-0 <sup>1</sup> / <sub>16</sub>	30'-0 <sup>7</sup> / <sub>16</sub>	107'-6 <sup>15</sup> / <sub>16</sub>

SCUPPER AND ALL SUPPORT MAT'L, INCLUDING 5/8" HSB TO BE PROVIDED BY OTHERS FOR HSS.



SECT.	(A)	(B)	(C)	(D)
S1	1'-3 <sup>1</sup> / <sub>4</sub>	3 <sup>1</sup> / <sub>8</sub>	4	.0390
S2	1'-4 <sup>1</sup> / <sub>8</sub>	6 <sup>1</sup> / <sub>2</sub>	6	.0120
S3	1'-3 <sup>3</sup> / <sub>4</sub>	9 <sup>1</sup> / <sub>2</sub>	6	.0140

THIS IS A WORK (W) DRAWING. ITS FUNCTION IS TO PROVIDE BASIC DIMENSIONS AND CONCEPTS FOR USE IN THE PREPARATION OF THE SHOP DETAILS. IT IS NOT INTENDED TO BE USED FOR ERECTION OR FABRICATION.

NO.	REVISION	DATE

**HIGH STEEL STRUCTURES, INC.** 1770 Hempstead Road  
Lancaster, PA 17603-0008  
Phone: 717-299-5311  
A Division of High Industries, Inc.

**WORKSHEET - CALC. PLAN**  
U.S. ROUTE 7 OVER OTTER CREEK  
BRIDGE NO. 79  
TOWN OF WALLINGFORD, COUNTY OF RUTLAND  
STATE OF VERMONT  
AGENCY OF TRANSPORTATION

STATE CONTRACT OR REF. NO. PROJECT NO. BRS-0137(13)  
CONTRACTOR J. A. McDONALD, INC.  
IN CHARGE: abs MADE L D 12-12 CHKD BY DATE: 1-6-96  
CONTRACT NUMBER: VT-95367 DRAWING NUMBER: WS1