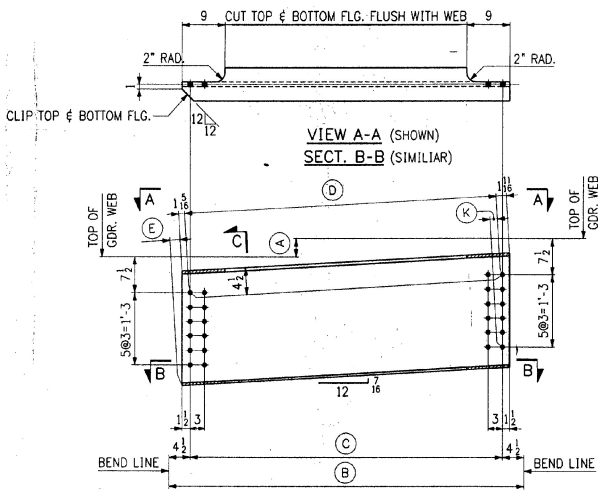


BILL OF MATERIAL

NO.	MARK	DESCRIPTION	LENGTH	REMARKS	ITEM	WEIGHT
DIAPHRAGMS						
1	D26	W24 x 62	13 11/16			12.824.07
1	D27	W24 x 62	13 11/16			12.824.07
1	D28	W24 x 62	14 0/8			12.824.07
1	D29	W24 x 62	14 0/8			12.824.07
1	D30	W24 x 62	14 0/8			12.824.07
1	D31	W24 x 62	13 3/8			12.824.07
1	D32	W24 x 62	13 4			12.824.07
1	D33	W24 x 62	13 4 1/2			12.824.07
1	D34	W24 x 62	13 4 1/2			12.824.07
1	D35	W24 x 62	13 4 3/8			12.824.07

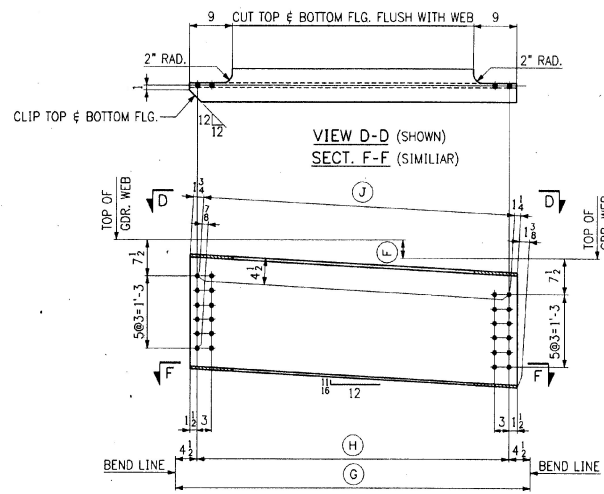
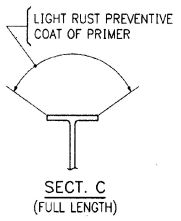
TOTAL WEIGHT THIS DWG.
ITEM 506.55 = 8479.49



ABUTMENT DIAPHRAGMS

MARK	(A)	(B)	(C)	(D)	(E)	(K)
D26	5 3/4	14'-4 1/8	13'-7 1/8	13'-7 1/8	13 7/8	1/2
D27	5 3/4	14'-5	13'-8	13'-8 1/8	13 7/8	1/2
D28	5 3/4	14'-5 1/8	13'-8 1/8	13'-8 1/8	13 7/8	1/2
D29	5 3/4	14'-5 3/8	13'-8 3/8	13'-8 1/2	13 7/8	1/2
D30	5 3/4	14'-5 1/2	13'-8 1/2	13'-8 3/8	13 7/8	1/2

PAINT



ABUTMENT DIAPHRAGMS

MARK	(F)	(G)	(H)	(J)
D31	9	13'-8 1/4	12'-11 1/4	12'-11 1/2
D32	9	13'-8 3/8	12'-11 3/8	12'-11 3/8
D33	9	13'-8 1/2	12'-11 1/2	12'-11 1/2
D34	9 1/8	13'-8 3/8	12'-11 3/8	12'-11 3/8
D35	9 1/8	13'-8 1/8	12'-11 1/8	12'-11 1/8

SHOP NOTE
HOLES: 1/8"
BOLTS: NONE
PAINT: AS NOTED. SEE DWG. N1.
FOR GENERAL SHOP NOTES, SEE DWG. N1.

RECEIVED
DEC 27 1985

NO.	REVISION	DATE
-----	----------	------

HIGH STEEL STRUCTURES, INC.
1770 Hempstead Road
Lancaster, PA 17606-0008
Phone 717/299-5211
A Division of High Industries, Inc.

DIAPHRAGMS
U.S. ROUTE 7 OVER RAILROAD
BRIDGE NO. 80
TOWN OF WALLINGFORD, COUNTY OF RUTLAND
STATE OF VERMONT
AGENCY OF TRANSPORTATION

STATE CONTRACT OR REF. NO. PROJECT NO. BRS-0137(13)
CONTRACTOR: J. A. McDONALD, INC.
IN CHARGE: JDS MADE BY: JCC CHECKED BY: PM DATE: 2-21-86
CONTRACT NUMBER: VT-95368 DRAWING NUMBER: 3 OF 9