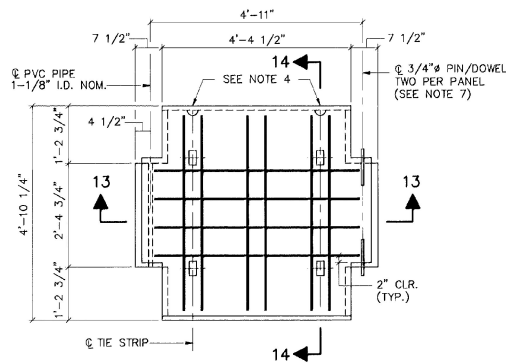
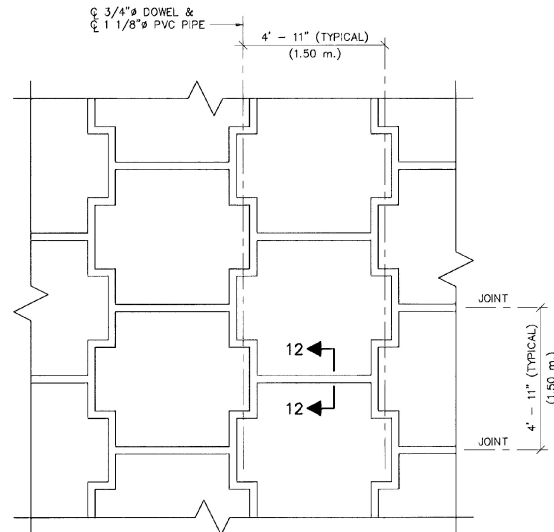


NOTE:
STRIPS OF FILTER CLOTH SHALL BE PLACED ON BACK FACE OF PANEL OVER PANEL JOINTS. FILTER CLOTH SHALL BE ADHERED TO BACK FACE OF PANELS USING AN ADHESIVE COMPOUND SUPPLIED BY THE REINFORCED EARTH COMPANY.

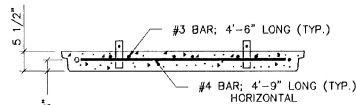
**FILTER CLOTH DETAIL
PARTIAL ELEVATION - BACK FACE**



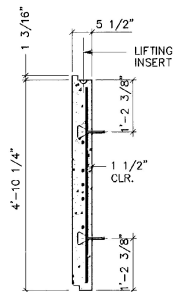
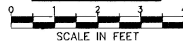
**PANEL TYPE "A" WITH
R6 REINFORCEMENT
FRONT VIEW**



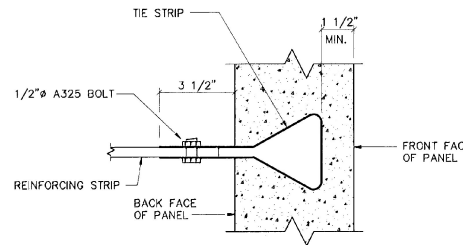
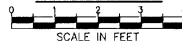
**TYPICAL PANEL LAYOUT
PARTIAL ELEVATION - FRONT FACE**



SECTION 13-13

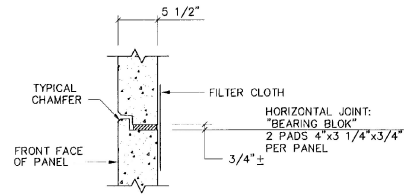


SECTION 14-14

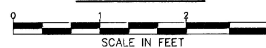


CONNECTION DETAIL

NOT TO SCALE



SECTION 12-12



PANEL THICKNESS	REINFORCEMENT DESIGNATION	PANEL REINFORCEMENT	MAXIMUM ALLOWABLE HORIZONTAL STRESS AT FACING (KSF)
5 1/2"	R6	6-#3 VERTICAL 4-#4 HORIZONTAL	1.60
	R7	6-#4 VERTICAL 4-#6 HORIZONTAL	2.55

NOTES:

1. REINFORCING STEEL SHALL BE EPOXY COATED A615 GRADE 60.
2. 3/8" x 3/8" CHAMFER SHALL BE PROVIDED ON ALL EXPOSED EDGES (FRONT FACE ONLY).
3. ALL PANEL TYPES AND OTHER RELATED ELEMENTS WILL BE DETAILED ON SHOP DRAWINGS.
4. ALL PANELS SHALL HAVE TWO LIFTING INSERTS OF ONE TON CAPACITY EACH.
5. PANEL DESIGN THICKNESS IS 5 1/2". THICKNESS OF CONCRETE MUST INCREASE TO ACCOMMODATE THE ARCHITECTURAL SURFACE FINISH THAT HAS BEEN SPECIFIED.
6. ACTUAL PANEL REINFORCEMENT FOR ALL PANEL TYPES ON THIS PROJECT IS DESIGNATED ABOVE. R6 ILLUSTRATED FOR INFORMATION ONLY.
7. EACH 3/4" Ø DOWEL SHALL HAVE A TYP. LENGTH OF 10". DOWELS MAY BE GALVANIZED STEEL OR PVC ROD. A SINGLE FULL LENGTH DOWEL MAY BE USED AT THE DISCRETION OF THE MANUFACTURER.

**STATE OF VERMONT
AGENCY OF TRANSPORTATION**

Town Of	WALLINGFORD	Bridge No.	80
Highway No.	U.S. ROUTE 7	Log Sta.	
		Surv. Sta.	
U.S. ROUTE 7 OVER RAILROAD			
MSE WALLS - STANDARD PANEL DETAILS			
Designed By	LJW	Drawn By	REC
Checked By	AJP	Date	4/95
		Bridge Design Supervisor	EMM Date 4/95
PROJECT	WALLINGFORD	PROJECT NO.	BRS 0137 (13)
I.G.C. Info.			
Bridge Sheet No.	BR231	Sheet	91 of 113



BARNES AND JARNIS, INC.
CONSULTING ENGINEERS
25 STUART STREET, 6TH FL.
BOSTON, MASSACHUSETTS