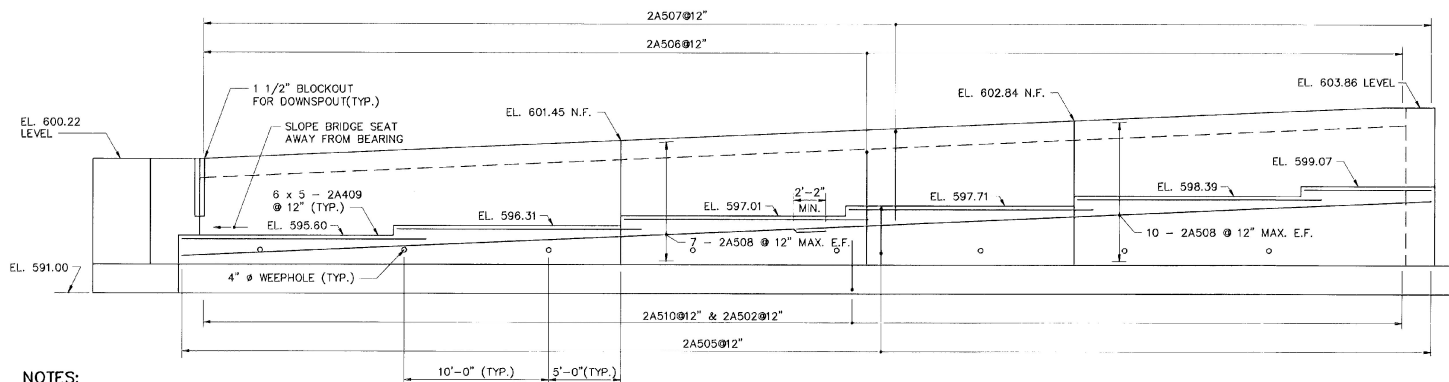
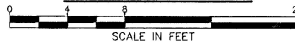
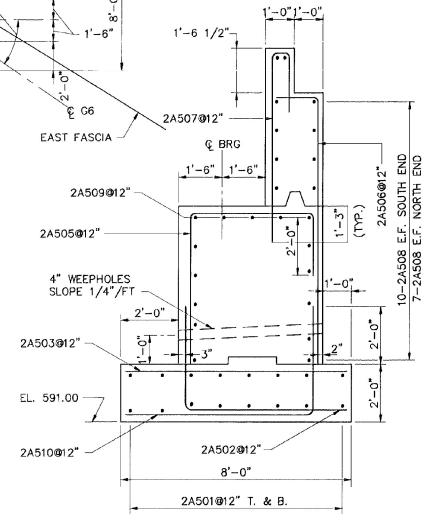
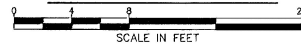


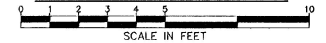
PLAN - ABUTMENT 2



ELEVATION - ABUTMENT 2



SECTION - ABUTMENT NO. 2



NOTES:

1. FOR FOOTING REINFORCEMENT LAYOUT SEE SHEET BR223.
2. FOR WINGWALL REINFORCEMENT LAYOUT SEE SHEET BR224.
3. N.F. DENOTES NEAR FACE
4. F.F. DENOTES FAR FACE
5. E.F. DENOTES EACH FACE

**STATE OF VERMONT
AGENCY OF TRANSPORTATION**

Town Of	WALLINGFORD	Bridge No.	80
Highway No.	U.S. ROUTE 7	Log Sta.	
		Surv. Sta.	
U.S. ROUTE 7 OVER RAILROAD			
ABUTMENT NO. 2			
Designed By	GK	Drawn By	KGG/JNC
Checked By	EMM	Bridge Design Supervisor	EMM
Date	4/95	Date	4/95
PROJECT	WALLINGFORD	PROJECT NO.	BRS 0137 (13)
I.G.C. Info.			
Bridge Sheet No.	BR222	Sheet	82 of 113



BARNES AND JARNIS, INC.
CONSULTING ENGINEERS
25 STUART STREET, 6TH FL.
BOSTON, MASSACHUSETTS