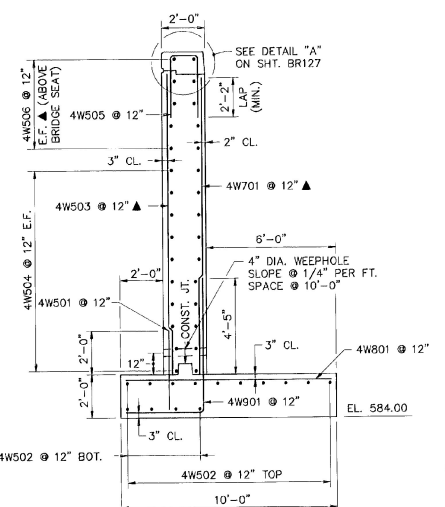
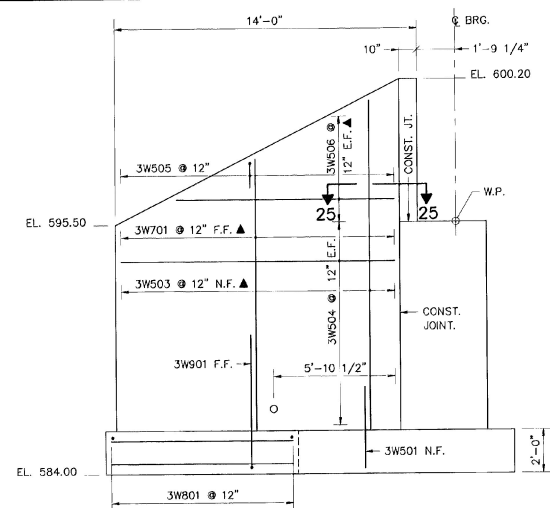


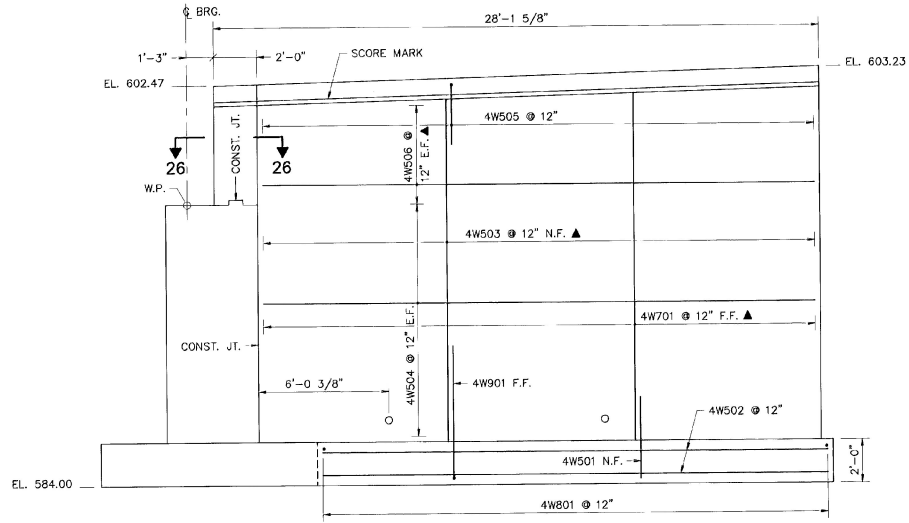
**WINGWALL NO. 3 TYPICAL SECTION**  
SCALE IN FEET



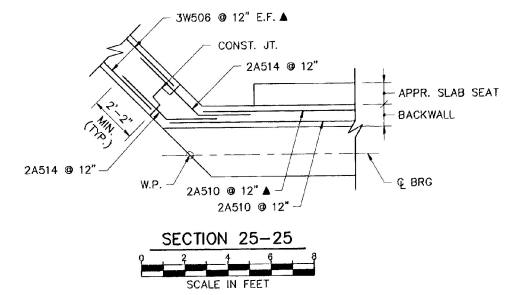
**WINGWALL NO. 4 TYPICAL SECTION**  
SCALE IN FEET



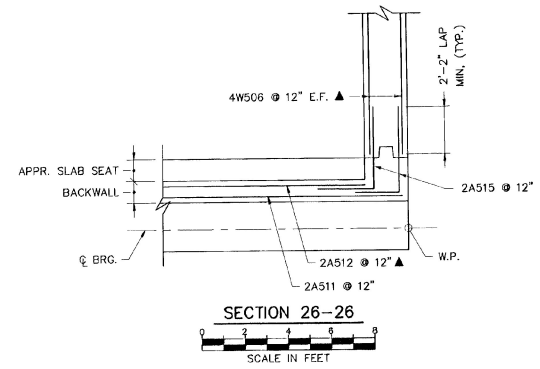
**WINGWALL NO. 3 ELEVATION**  
SCALE IN FEET



**WINGWALL NO. 4 ELEVATION**  
SCALE IN FEET



**SECTION 25-25**  
SCALE IN FEET



**SECTION 26-26**  
SCALE IN FEET

- NOTES :**
1. FOR SCORE MARK DETAIL SEE SHT. BR112.
  2. E.F. DENOTES EACH FACE.
  3. N.F. DENOTES NEAR FACE.
  4. F.F. DENOTES FAR FACE.

<b>STATE OF VERMONT AGENCY OF TRANSPORTATION</b>			
Town Of	WALLINGFORD	Bridge No.	79
Highway No.	U.S. ROUTE 7	Log. Sta.	
		Surv. Sta.	
U.S. ROUTE 7 OVER OTTER CREEK			
ABUT. NO. 2 WINGWALLS - PLAN & ELEV.			
Designed By	TJC	Drawn By	JNC/RJL
Checked By	DLJ	Bridge Design Supervisor	EMM
Date	4/95	Date	4/95
PROJECT	WALLINGFORD	PROJECT NO.	BR5 0137 (13)
I.G.C. Info.			
Bridge Sheet No.	BR128	Sheet	54 of 113

**B&J** BARNES AND JARNIS, INC.  
CONSULTING ENGINEERS  
25 STUART STREET, 6TH FL.  
BOSTON, MASSACHUSETTS