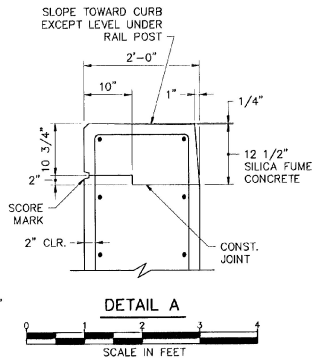
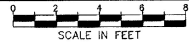
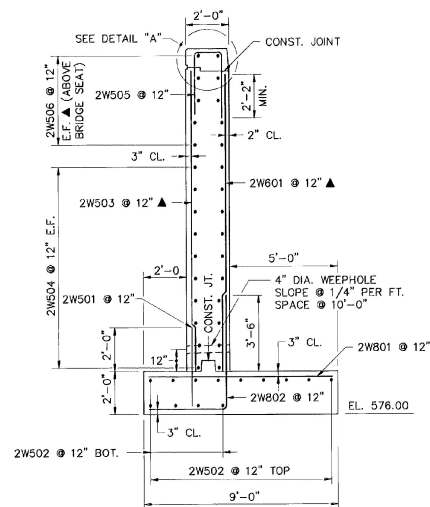
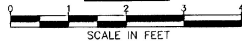


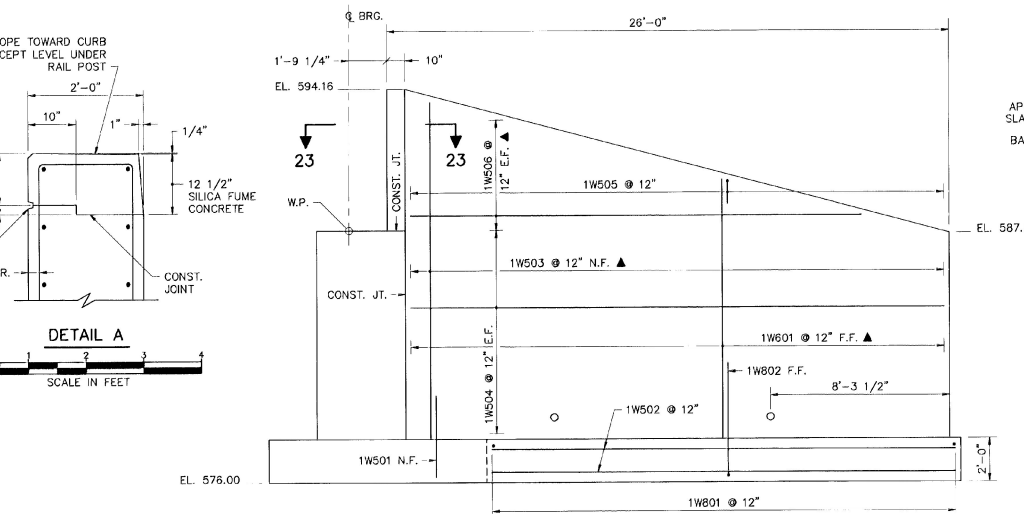
WINGWALL NO. 1 TYPICAL SECTION



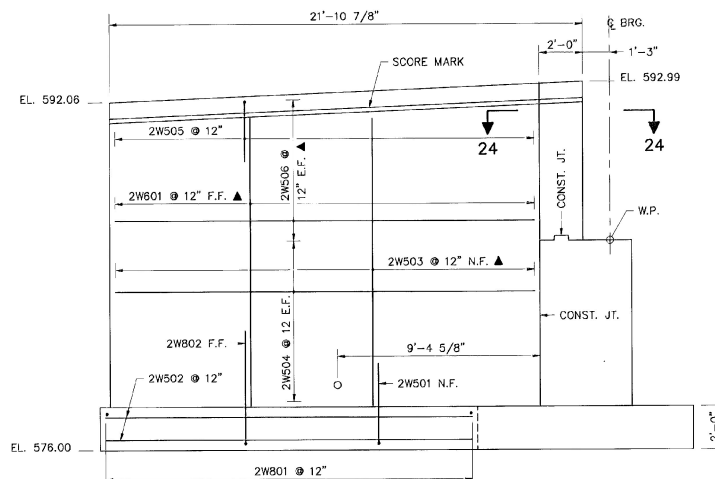
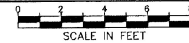
DETAIL A



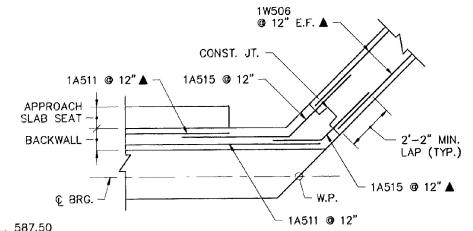
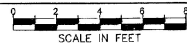
WINGWALL NO. 2 TYPICAL SECTION



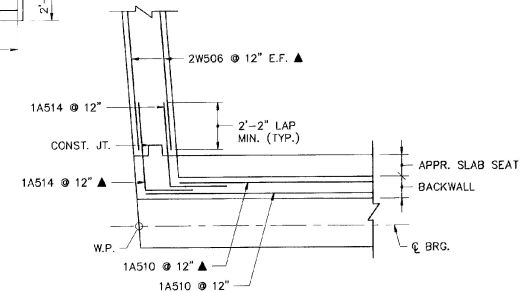
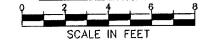
WINGWALL NO. 1 ELEVATION



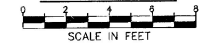
WINGWALL NO. 2 ELEVATION



SECTION 23-23



SECTION 24-24



NOTES :

1. FOR SCORE MARK DETAIL SEE SH. BR112.
2. E.F. DENOTES EACH FACE.
3. N.F. DENOTES NEAR FACE.
4. F.F. DENOTES FAR FACE.

STATE OF VERMONT
AGENCY OF TRANSPORTATION

Town Of	WALLINGFORD	Bridge No.	79
Highway No.	U.S. ROUTE 7	Log Sta.	
		Surv. Sta.	
U.S. ROUTE 7 OVER OTTER CREEK			
ABUT. NO. 1 WINGWALLS - PLAN & ELEV.			
Designed By	TJC	Drawn By	JNC/RJL
Checked By	DLJ	Date	4/95
		Bridge Design Supervisor	EMM
		Date	4/95
PROJECT	WALLINGFORD	PROJECT NO.	BRS 0137 (13)
I.G.C. Info.			
Bridge Sheet No.	BR127	Sheet	53 of 113



BARNES AND JARNIS, INC.
CONSULTING ENGINEERS
25 STUART STREET, 6TH FL.
BOSTON, MASSACHUSETTS