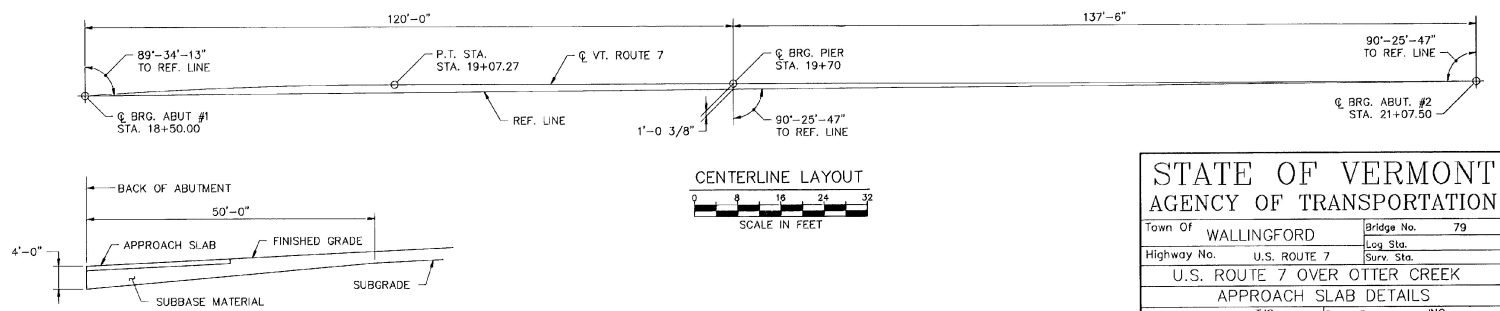
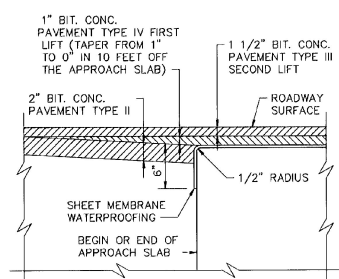
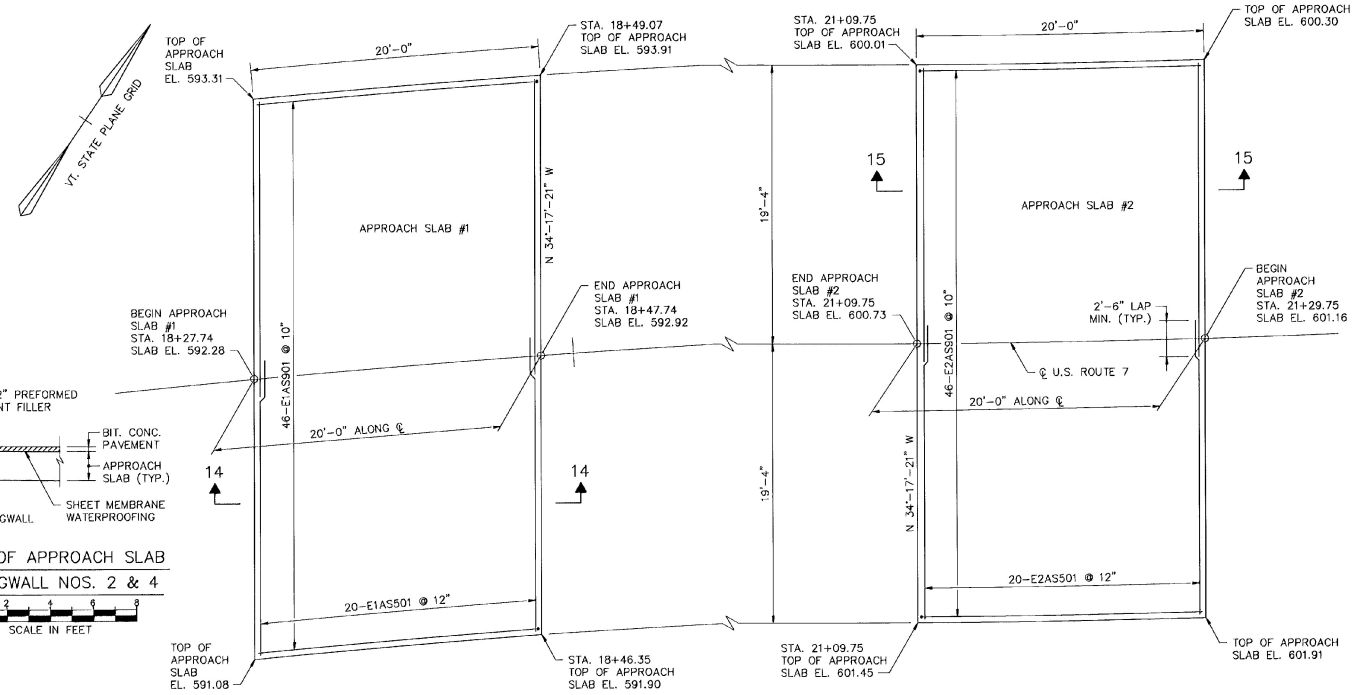
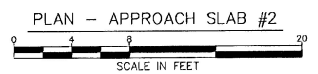


CURVE DATA
 L = 482.13'
 R = 848.83'
 Δ = 32°-32'-37"



SUBBASE DETAIL AT ABUTMENTS
 (ELEVATION IN CUT AND FILL)
 NOT TO SCALE

NOTE:
 1. ELEVATIONS ARE FINISHED GRADE ELEVATIONS.



BARNES AND JARNIS, INC.
 CONSULTING ENGINEERS
 25 STUART STREET, 6TH FL.
 BOSTON, MASSACHUSETTS

STATE OF VERMONT AGENCY OF TRANSPORTATION	
Town Of WALLINGFORD	Bridge No. 79
Highway No. U.S. ROUTE 7	Log Sta. Surv. Sta.
U.S. ROUTE 7 OVER OTTER CREEK APPROACH SLAB DETAILS	
Designed By TJC	Drawn By JNC
Checked By DLJ	Bridge Design Supervisor EMM
Date 4/95	Date 4/95
PROJECT WALLINGFORD	PROJECT NO. BRS 0137 (13)
I.G.C. Info.	
Bridge Sheet No. BR121	Sheet 47 of 113