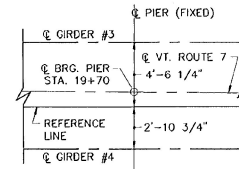


FRAMING PLAN
SCALE IN FEET

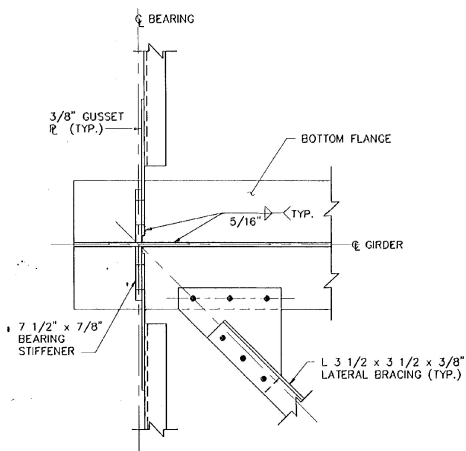


DETAIL F
NOT TO SCALE

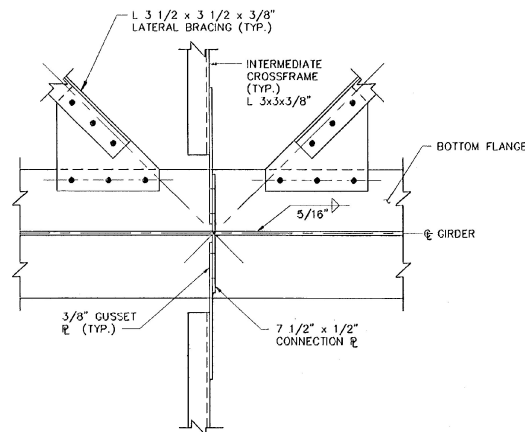
NOTES :

1. FOR STRUCTURAL STEEL NOTES SEE SH. BR114.
2. FOR CROSSFRAME DETAILS SEE SH. BR115.
3. FOR SCUPPER STATION LOCATIONS AND DETAILS SEE SH. BR109.
4. FOR GIRDER ELEVATION AND DETAILS SEE SHS. BR114 & BR115.

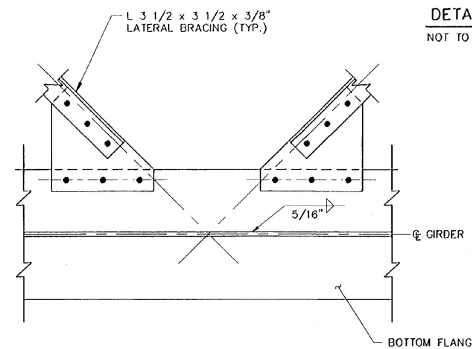
REV. NO.	DATE	DESCRIPTION
1	11/21/95	REVISED DETAILS
STATE OF VERMONT		
AGENCY OF TRANSPORTATION		
Town Of	WALLINGFORD	Bridge No. 79
Highway No.	U.S. ROUTE 7	Log Sta.
		Surv. Sta.
U.S. ROUTE 7 OVER OTTER CREEK		
FRAMING PLAN		
Designed By	TJC	Drawn By
Checked By	DLJ	Date
	4/95	Bridge Design Supervisor
		EMM
		Date
		4/95
PROJECT	WALLINGFORD	PROJECT NO.
		BR5 0137 (13)
I.G.C. Info.		
Bridge Sheet No.	BR113R	Sheet
		39R of 113



DETAIL C
SCALE IN FEET



DETAIL D
SCALE IN FEET



DETAIL E
SCALE IN FEET



BARNES AND JARNIS, INC.
CONSULTING ENGINEERS
25 STUART STREET, 6TH FL.
BOSTON, MASSACHUSETTS