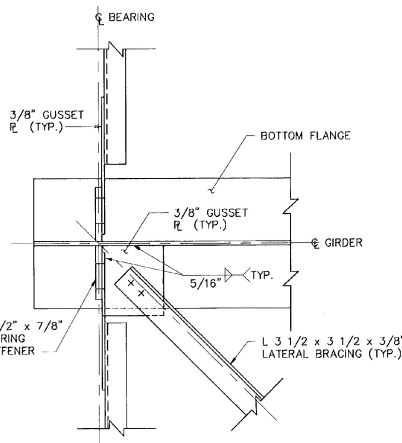


DETAIL F
NOT TO SCALE

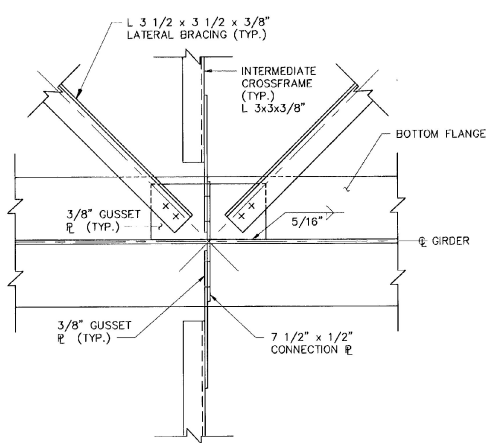
NOTES :

1. FOR STRUCTURAL STEEL NOTES SEE SH. BR114.
2. FOR CROSSFRAME DETAILS SEE SH. BR115.
3. FOR SCUPPER STATION LOCATIONS AND DETAILS SEE SH. BR109.
4. FOR GIRDER ELEVATION AND DETAILS SEE SHTS. BR114 & BR115.

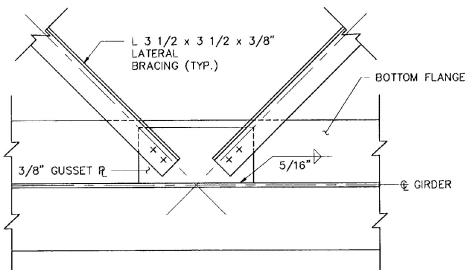
STATE OF VERMONT AGENCY OF TRANSPORTATION			
Town Of	WALLINGFORD	Bridge No.	79
Highway No.	U.S. ROUTE 7	Log Sta.	
		Surv. Sta.	
U.S. ROUTE 7 OVER OTTER CREEK			
FRAMING PLAN			
Designed By	TJC	Drawn By	SAM/JNC
Checked By	DLJ	Date	4/95
		Bridge Design Supervisor	EMM
		Date	4/95
PROJECT	WALLINGFORD	PROJECT NO.	BRS 0137 (13)
I.G.C. Info.			
Bridge Sheet No.	BR113	Sheet	39 of 113



DETAIL C
SCALE IN FEET



DETAIL D
SCALE IN FEET



DETAIL E
SCALE IN FEET

B&J BARNES AND JARNIS, INC.
CONSULTING ENGINEERS
25 STUART STREET, 6TH FL.
BOSTON, MASSACHUSETTS